

# TIMKEN

## TIMKEN® WHEEL-PAC

### 68MM REPAIR KIT

## FAST AND EASY TO INSTALL

### PERFORMANCE THAT'S WORTH IT

Timken bearings are engineered and tested for reliability and performance.

Integrated seal

Outboard bearing

Inboard bearing

Pre-greased

Integrated seal

Bore clip

### INTEGRATED SOLUTION

- | Pre-assembled
- | Pre-greased
- | Pre-sealed
- | Pre-adjusted

### EASY MOUNTING TO INSTALL:

User-friendly installation tools protect the bearings during transport and assembly.

Color-coded inboard and outboard tools reduce the risk of incorrect mounting.

Integrated seals help to avoid mounting errors and reduce assembly time.

Bore clip keeps the assembly intact and eases the hub removal process.

Easy to understand graphical fitting instructions.

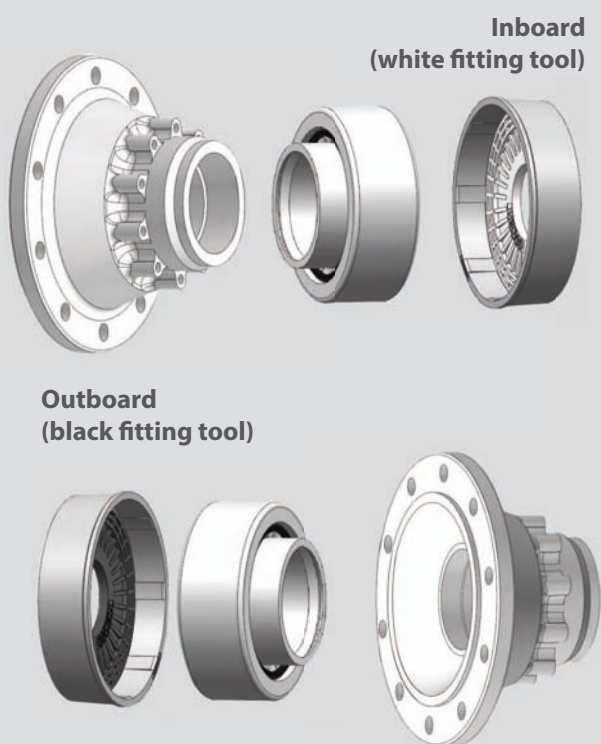
## SET2312 APPLICATIONS

OE BRAND	TYPE	MODEL	POSITION
RENAULT TRUCKS	TRUCK	KERAX	Front
RENAULT TRUCKS	TRUCK	MAGNUM	Front
RENAULT TRUCKS	TRUCK	PREMIUM 2	Front
VOLVO	TRUCK	FE	Front
VOLVO	TRUCK	FH	Front
VOLVO	TRUCK	FH 12	Front
VOLVO	TRUCK	FH 16	Front
VOLVO	TRUCK	FM	Front
VOLVO	TRUCK	FM 12	Front
VOLVO	TRUCK	FM 7	Front
VOLVO	TRUCK	FM 9	Front
VOLVO	TRUCK	NH 12	Front
VOLVO	BUS	7700	Front
VOLVO	BUS	8500	Front
VOLVO	BUS	8700	Front
VOLVO	BUS	9700	Front
VOLVO	BUS	9900	Front
VOLVO	BUS	B6	Front

## SET2312 INTERCHANGE

INTERCHANGE	
RENAULT TRUCKS	74 20 535 202
RENAULT TRUCKS	74 20 535 203
RENAULT TRUCKS	74 21 024 206
RENAULT TRUCKS	74 21 024 208
RENAULT TRUCKS	74 20 518 637
RENAULT TRUCKS	74 20 967 831
RENAULT TRUCKS	74 21 021 391
VOLVO	3988673
VOLVO	3988674
VOLVO	3988675
VOLVO	3988830
VOLVO	20382168
VOLVO	20518091
VOLVO	20518092
VOLVO	20518093
VOLVO	20518637
VOLVO	20558950
VOLVO	20728008
VOLVO	20967831
VOLVO	21021391

## KIT COMPONENTS:



- | 1 inboard bearing with grease shield and white mounting tool
- | 1 outboard bearing with grease shield and black mounting tool
- | 1 bore clip
- | 1 fitting instruction guide

# TIMKEN

The Timken team applies their know-how to improve the reliability and performance of machinery in diverse markets worldwide. The company designs, makes and markets high-performance mechanical components, including bearings, belts, chain, gears and related mechanical power transmission products and services.

**Stronger. By Design.**



www.timken.com