

SPECIAL OFFER FAG SmartSET

Ready-to-fit wheel bearing repair solution for trucks and trailers



- PRE-ASSEMBLED
- PRE-GREASED
- PRE-POSITIONED
- 3 YEARS WARRANTY
- SPECIAL TOOL INCLUDED

Great Innovation ✓

Higher durability ✓

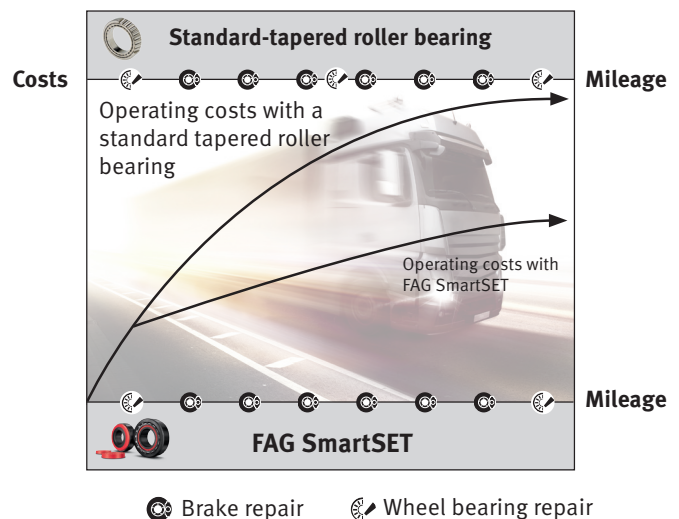
Fast and Efficient ✓



FAG SmartSET now for price of Tapered Roller Bearings (TRB)

- **Two pre-assembled** wheel bearing units consisting of tapered roller bearings embedded in a high-strength, reinforced fiberglass plastic cage with retaining elements
- The FAG SmartSET is **lubricated** ex-works with the correct specification and amount of grease
- The inner and outer rings have a special **Durotect® B coating**
- SmartSET **contains also support ring** for correct installation, pressing tool and installation guidelines

	Trapezoidal Roller Bearing	FAG SmartSET
Complexity	25 working steps	11 working steps
Staff needed	2 mechanics	1 mechanics
Handling	Complicated	Easy
Working Time	8 hours incl. brake service	2 hours less/axle with each brake service



The special offer is valid till the stock lasts.



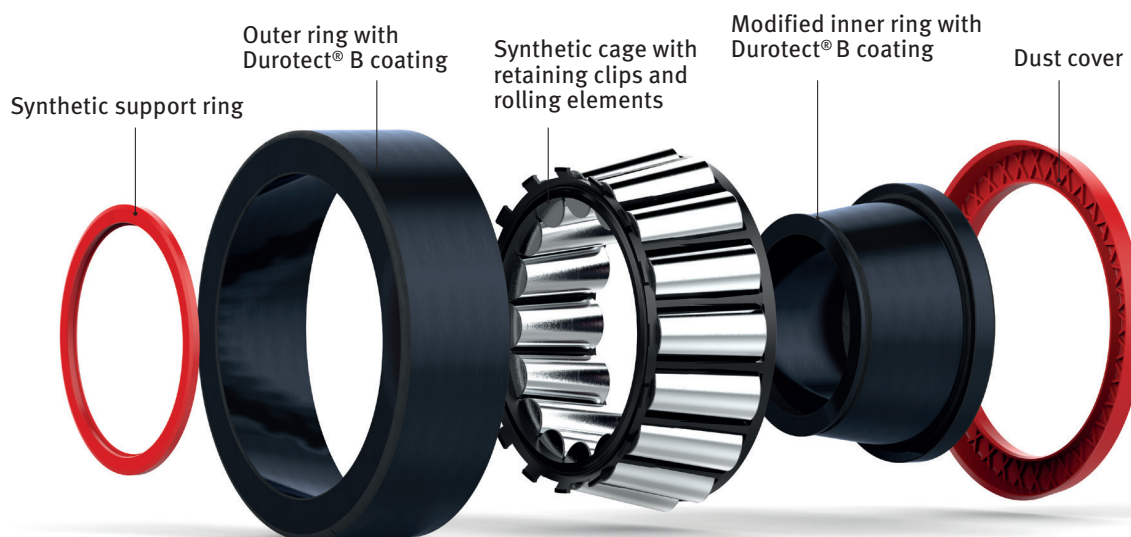
SmartSET Application Guide

Products included in the special offer

	TRB inboard	TRB outboard	SmartSET
BPW (E, GS, H, KH, KM, KR, M, NH, NM, NR, R, SH, SKH, SKM) GIGANT (Protec)	33116	32310A	723700110
BPW (GS,H,KH,KM,KR,M,NH,NM,NR,NRD,R,SH,SKH,SKM) GIGANT (Protec)	33118	33213	723700510
BPW (KR)	33215	32310A	723700310
MERCEDES-BENZ (Actros MP2 / MP3 / MP4, Atego, Atego 2, Axor, Axor 2, Econic, Integro (O 550), Intouro, O 43, SK, Tourismo (O 350), Touro (O 500), Travego (O 580))	33022	567549	723702910
MERCEDES-BENZ (Actros MP2 / MP3, Atego, Atego 2, Axor 2, TE, Tourino (O 510), TZ)	33020	33116	723700610
MERCEDES-BENZ (Actros MP2 / MP3, Axor 2)	33020	567549	723702410
MERCEDES-BENZ (Actros, Actros MP2 / MP3, Atego, Axor, Axor 2, MK, NG, SK)	32314A	32310A	723703510
MERCEDES-BENZ (Atego, Atego 2, LK/LN2, MK, NG, O 303, SK)	33213	33208	723703110
MERCEDES-BENZ (Axor 2)	33022	33116	723702710
MERCEDES-BENZ (Axor 2, O 404, SK)	572813A	32310A	723703610
MERCEDES-BENZ (MK Series)	33020	33020	723702110
MERITOR (TM) – RENAULT (G, Magnum, Major, Manager, R) SAF (SK, SKRLZ) – VOLVO (F10, F12)	KHM218248	33213	723700810

Advantages of special Durotect® B coating:

- Protection against corrosion
- Lower friction
- No micro-cracks
- Reduction of slippage damage in the bearing (speed difference between the inner/outer ring and the rolling elements)
- Longer service life



www.repxpert.com

<http://webcat.schaeffler-aftermarket.com>