

Prestolite *electric* *Leece·Neville*

PP4042
Rev. 5 (0219)

2019

Bus & Coach Catalogue
Catalogue Cars et Bus



Stadt- und Reisebusse Katalog
Catálogo de Autobús y Autocar

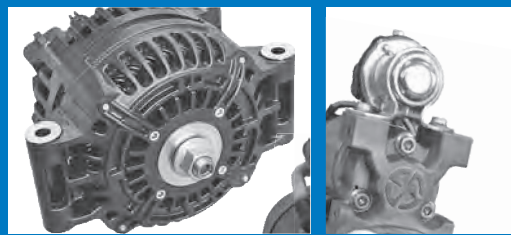


Catalogo Autobus e Pullman
Каталог на Автобусы



Otobüs Kataloğu

تال فاح ل ا جولاتك



Katalog wyrobów do autobusów i autokarów
Városi és Távolsági Autóbuszok Katalógus



OUR COMPANY

Prestolite Electric is a global manufacturer and supplier of alternators, starters, auxiliary electrical equipment and services to the transportation, industrial and military industry. Prestolite has a strong heritage dating back to 1911, and includes the Leece-Neville, Motorola, Butec and Lucas CAV brands, resulting in a long history of engineering excellence and innovative products.

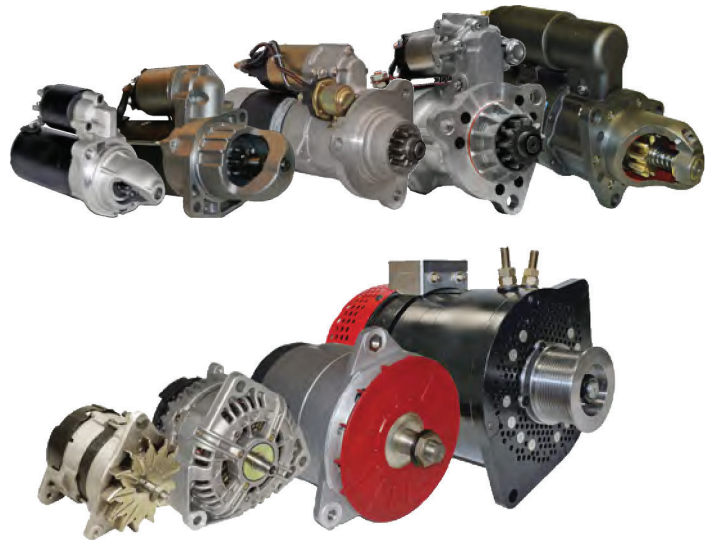


OUR BRANDS

With manufacturing and distribution locations in the United States, United Kingdom, Brazil, China, Canada, India, Mexico, Russia and Hong Kong; **Prestolite Electric** provides customers with access to their application needs for products and services under the **Prestolite Electric** and **Leece-Neville** brand names.

OUR PRODUCTS

In Europe **Prestolite** supply to more than 40 OEMs, in USA we are the dominant supplier to the Bus, truck, refrigeration and military markets, and in China **Prestolite** is the number one supplier to the domestic bus and coach industry, supplying over 700k units a year.



OUR UNIQUE OFFER

Remember that the vast majority of a range comes to you **BRAND NEW**. Of course this offers you OE quality levels, no availability problems due to core shortages but also the advantage of **NO CORE SURCHARGES!** How many times have you sold an alternator or starter only to have your profit wiped out because your supplier won't accept your core? With Prestolite you can simply sell and forget.

Table of Contents

SECTION	TITLE	PAGE
A	How to use this Catalogue	A-1
A	Reference Key	A-3
A	Glossary of Alternator Terms	A-3
A	Alternator Wiring Diagrams	A-5
A	Alternator Function	A-8
A	Alternator Troubleshooting Guide	A-8
A	Glossary of Starter Motor Terms	A-9
A	Starter Motor Wiring Diagram	A-10
A	Starter Motor Function	A-12
A	Starter Motor Troubleshooting Guide	A-12
1	Alternator Application Guide	2
2	Alternator Buyer's Guide	38
3	Starter Motor Application Guide	66
4	Starter Motor Buyer's Guide	102
5	Cross Reference Guide	126

Catalogue Ref No: PP4042
Issue no: 5 (10/19)

DISCLAIMER





While every care has been taken in compiling the information in this document, Prestolite / Leece-Neville cannot accept legal liability for any inaccuracies, omissions, or consequential damage resulting there from. Prestolite / Leece-Neville has an extensive design and development team which may alter product specification. Prestolite / Leece-Neville reserves the right to alter specifications without notice and whenever necessary to endure optimum performance from its product range.

How to use this Catalogue

SECTION A

This section gives a basic understanding of the operation of the Alternator and Starter Motor within the Bus & Coach environment, and includes Alternator and Starter Motor function, general wiring diagrams and a Troubleshooting guide. If you have any queries that are not covered by this guide, please contact the Technical Helpline on +44 (0) 20 8231 1137.

BUS & COACH APPLICATION GUIDE 2015 ALTERNATORS

				OUTPUT V / A	NOTES / NOTAS / ANMERKUNG
SCANIA					
CR 112	1989.09	1992.12	D11, DS 11.01, 14, 11.15 11,0ltr	860157	24V / 55A
CR 112	1989.09	1992.12	D11, DS 11.01, 14, 11.15 11,0ltr	860560	24V / 80A
F 112	1981.1	1989.08	DN11.07, DS11.15 11,0ltr	858882	24V / 55A
F 112	1989.09	1995.01	DN11.07, DS11.15 11,0ltr	860157	24V / 55A
F 112	1989.09	1995.01	DN11.07, DS11.15 11,0ltr	860560	24V / 80A

Vehicle
Manufacturer

Vehicle
Model

Date
valid
from

Date
valid
to

Engine / Chassis
info





Prestolite
Alternator
part no.

Alternator
output

Additional
Notes

BUS & COACH APPLICATION GUIDE 2015 STARTER MOTORS



				OUTPUT V / KW	NOTES / NOTAS / ANMERKUNG
MERCEDES-BENZ					
Citaro O 530 GNG3 UESTRA, N3, N3 UESTRA	2000.04		476.930HLAG, .932HLAG	860506GB	24V / 6.6kW Vehicle 522018/02
Cito O 520	1999.01		OM904LA 4,3ltr	860321	24V / 4.0kW upgrade M93R3066SE

Vehicle
Manufacturer

Vehicle
Model

Date
valid
from

Date
valid
to

Engine / Chassis
info

Prestolite
Starter motor
part no.

Starter
output

Additional
Notes

How to use this Catalogue

BUS & COACH BUYER'S GUIDE ALTERNATORS

Prestolite electric

Labels: Voltage, Output Current, Insulated or Earth return, Shaft size, Rotation, Pulley info, Application listings, Prestolite Part no., Alternator images

1277640	24V	140A	IR	29.99mm	Bi-directional	None	APPLICATION
							MERCEDES-BENZ - Citaro, Conecto, Intouro, Integro, Turismo Series MERCEDES-BENZ - 15, 301, 303, 305, 307, 402, 404, 405, 407, 408 NEOPLAN - Skyliner OTOMARSAN - 302 SCANIA - K, BK Series

BUS & COACH BUYER'S GUIDE STARTER MOTORS

Prestolite electric

Labels: Voltage, Output Power, Insulated or Earth return, Direct drive / Gear-reduced, Pinion diameter, No. of teeth, Pinion at rest, Full travel position, Application listings, Prestolite Part no., Starter Motor images

MS1-341A	24V	7.5kW	IR	CW	DD	11	57.15	47.8	69.7	APPLICATION
										DENNIS - Enviro 500, R Series

BUS & COACH CROSS-REFERENCE GUIDE

Prestolite electric

Labels: Alternative manufacturer / supplier Part no., Prestolite Part no., Alternative manufacturer / supplier

Original	Prestolite	Original	Prestolite	Original	Prestolite	Original	Prestolite
DENNIS		659718-X	* 1277730	260-62129	35259940	300.029.092	35259940
615304	* Z860608	659772-X	MS4-401	260-67108	35259380	300.039.112	35258730
651997	MS4-400	660070-X	MS3-503	260-67202	35261450	311.071.092	20513047
651998	* Z860608	DENSO		260-67203	860111Z	311.072.092	20513055
652063	* 880637Z	0763114014	20510188	260-67206	858317	311.097.092	20513056

Reference Key

Starter Motor & Alternator Sections			
>>ch...	Up to chassis no.....	gr	Gear reduced
a/c	Air conditioning	inj.	Injection
a/t	Automatic transmission	int.fan	Internal fan
B+	Battery positive terminal	m/t	Manual transmission
B-	Battery negative terminal	o.c.p	Overrunning clutch pulley
c.c	Cold climate	p	petrol
c.s	Cold start	p.m	Permanent magnets
cat	Catalyst	ps	Power steering
ch.	Chassis no.	td	Turbo diesel
ch...>>	From chassis no....	w...	With...
d	Diesel	wo....	Without....
D+	Warming lamp	w/pump	Water pump
dd	Direct drive	w/tach	with tachometer terminal
Cross Reference Section			
*	Re-use pulley from old unit		
NLS	No longer serviced (Obsolete)		

Glossary of Alternator Terms

Return alternators may only be fitted with a B+ (battery positive) terminal. The negative part of the electrical circuit is normally completed through the body of alternator to the vehicle, ie earthed / grounded. Also referred to as ground return. On certain vehicles a B- stud is fitted to the alternator. This is connected to the body of the alternator and must be connected to the negative earth lead where fitted.

Insulated return alternator have B+ (battery positive) and B- (battery negative) terminals, ie the battery leads at the alternator are insulated from the alternator frame, ie insulated return.

B+ terminal is the battery positive connection on the alternator.

B- terminal is the battery negative terminal on the alternator.

D+ is the warning lamp terminal. (Used when smartreg is used.)

PHASE terminal is the phase terminal, used for tachometer

ECU terminal communicates with the vehicle ECU and controls alternator output depending on load and system conditions.

F- is field isolation terminal. If field isolation is not required the F- must be connected to the B- terminal.

Sense lead / terminal. This is normally used where the voltage drop across battery leads are expected to be significant, ie long battery cable runs, where multiple battery banks and load splitters are used. This terminal monitors the voltage at the point of termination not the alternator terminals, and regulated alternator performance accordingly. This terminal is normally connected directly to the positive terminal of the charging system battery.

Glossary of Alternator Terms continued..

Batteryless alternators are used to operate fixed load equipment, eg air-conditioning. The batteryless alternator does not operate in or as part of the charging system. See wiring diagram section.
(This type of alternator is not designed to cope with the high demand of flat batteries)

Alternator rotation. Alternator rotation is determined by the fan design. By design the alternator is bi-directional and can operate in either CW or CCW direction. Straight vane fans are bi-directional, see fig.1. Curved vane fans are direction specific, and a rotation direction is indicated on the fan, see fig.2. Directional fan design generally provide more efficient cooling of alternator.

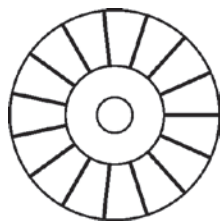


Fig.1



Fig.2

Internal fan alternators are rotation specific, due to the fans being permanently attached internally to the rotor. The direction of rotation on internal fan alternators cannot be changed. Consult the drawing or Technical Helpline for specific part number rotational direction.

Note: Directional rotation when looking at front of the alternator.

Mounting configurations. Various options are available, see fig.3 - fig.6

Universal mounting on main mounting bracket, and single mounting on adjuster bracket.

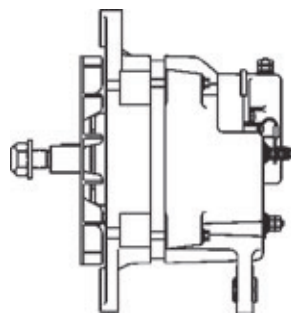


Fig.3

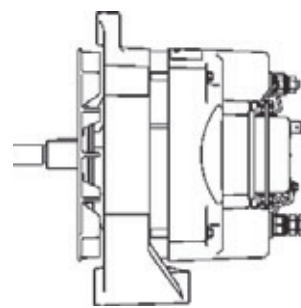


Fig.4

Pool mounting on main mounting bracket, spool size from 25mm - 80 mm and single mounting on adjuster bracket.

Mounting point as shown. Pad-mount is similar to pad mount, but with only 3 mounting point. (2 on drive end and 1 on rear end)

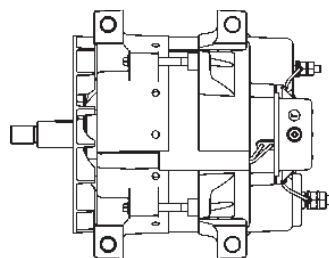


Fig.5

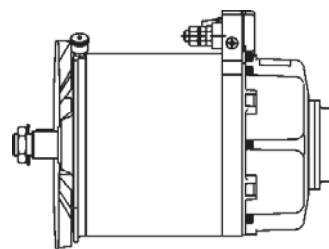


Fig.6

Ratchet mount. The alternator is mounted by clamping it around the alternator body.

Alternator Wiring Diagrams

The wiring diagrams shown below are typical and for reference only. For specific wiring diagrams or information, please contact the Technical Helpline on +44 (0) 20 8231 1137.

The negative circuit is supplied through the vehicle chassis and the alternator frame.

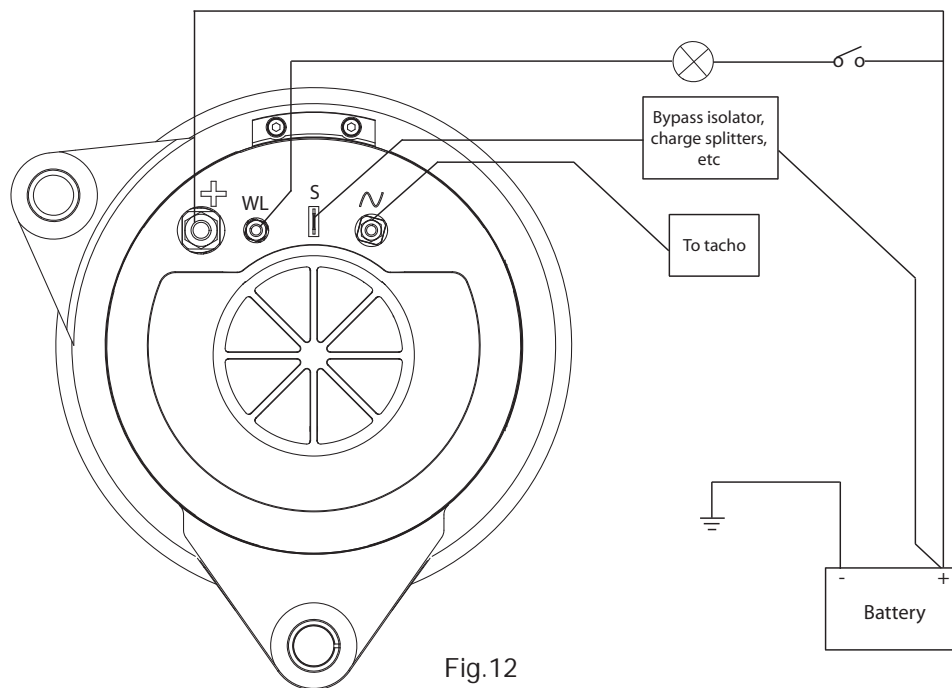


Fig.12

The negative circuit is isolated from alternator frame and vehicle chassis.

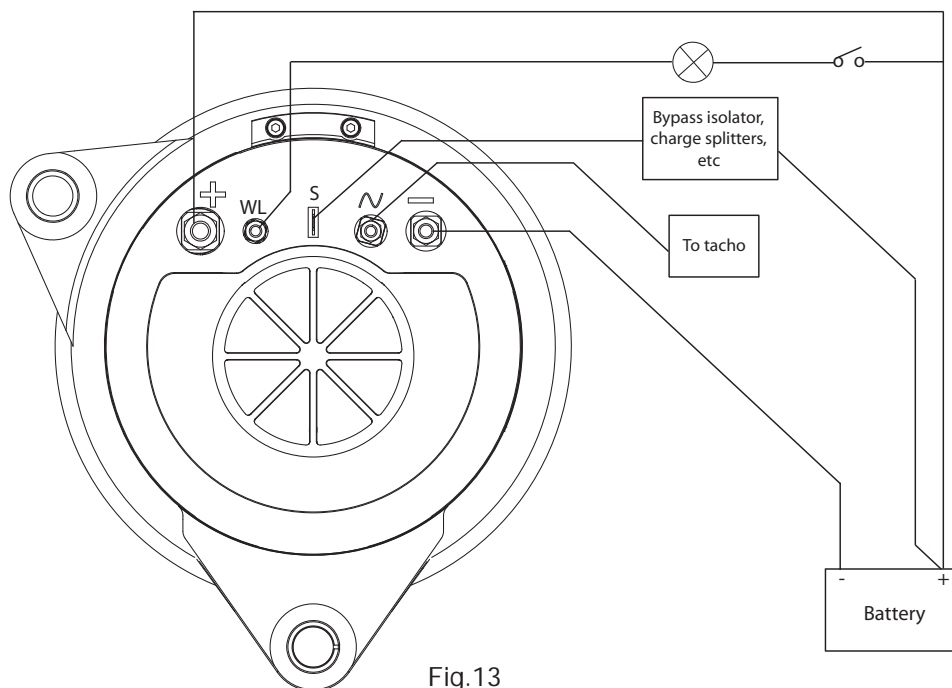
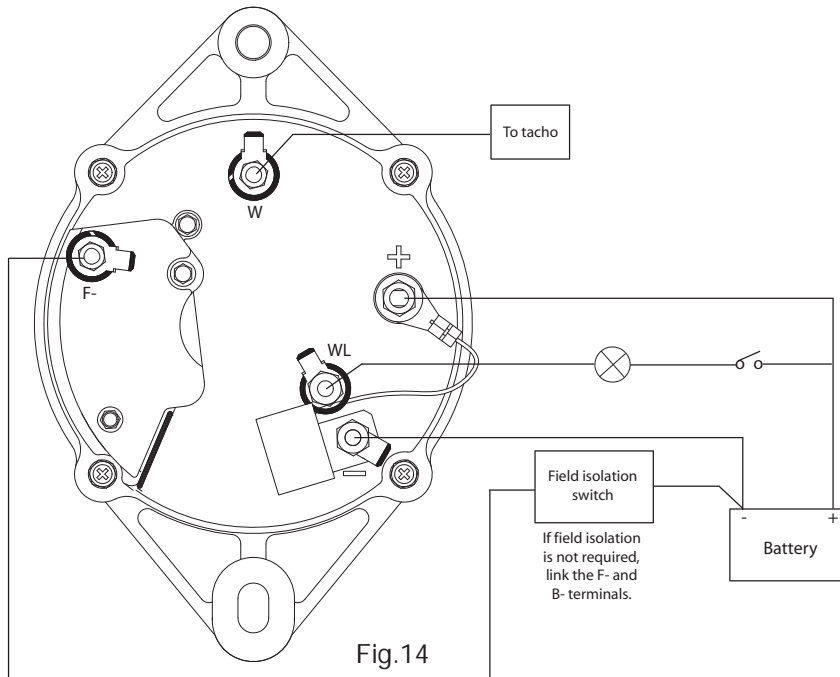


Fig.13

Alternator Wiring Diagrams continued...



This option is supplied with a F- terminal, for use with battery / field isolator switch.

Fig.14

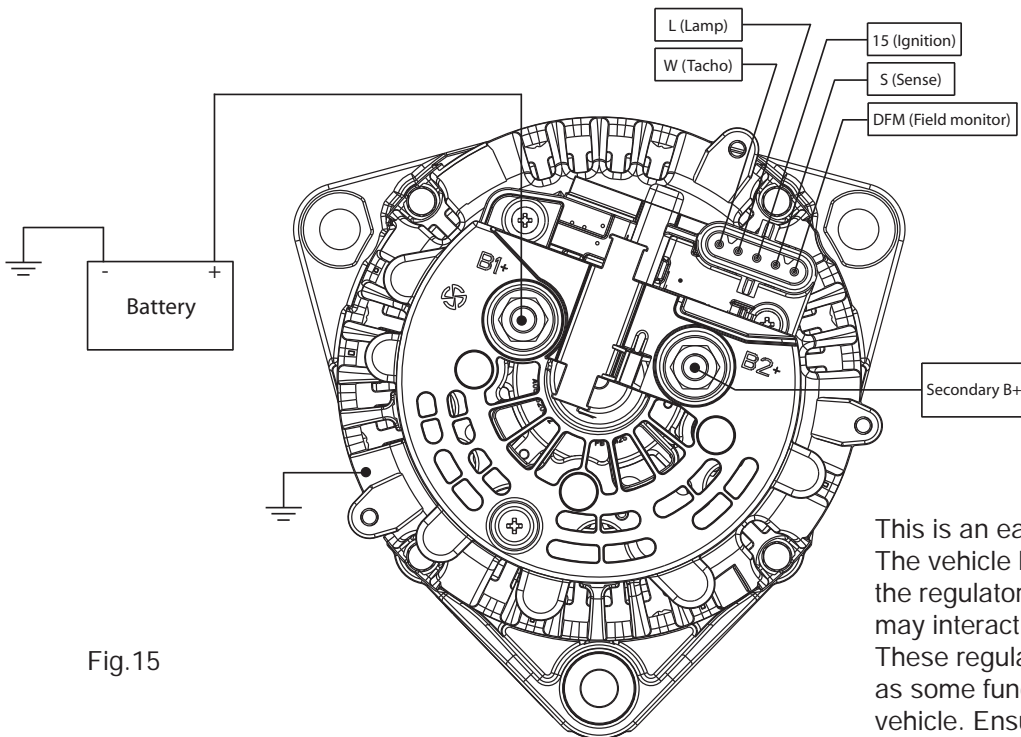
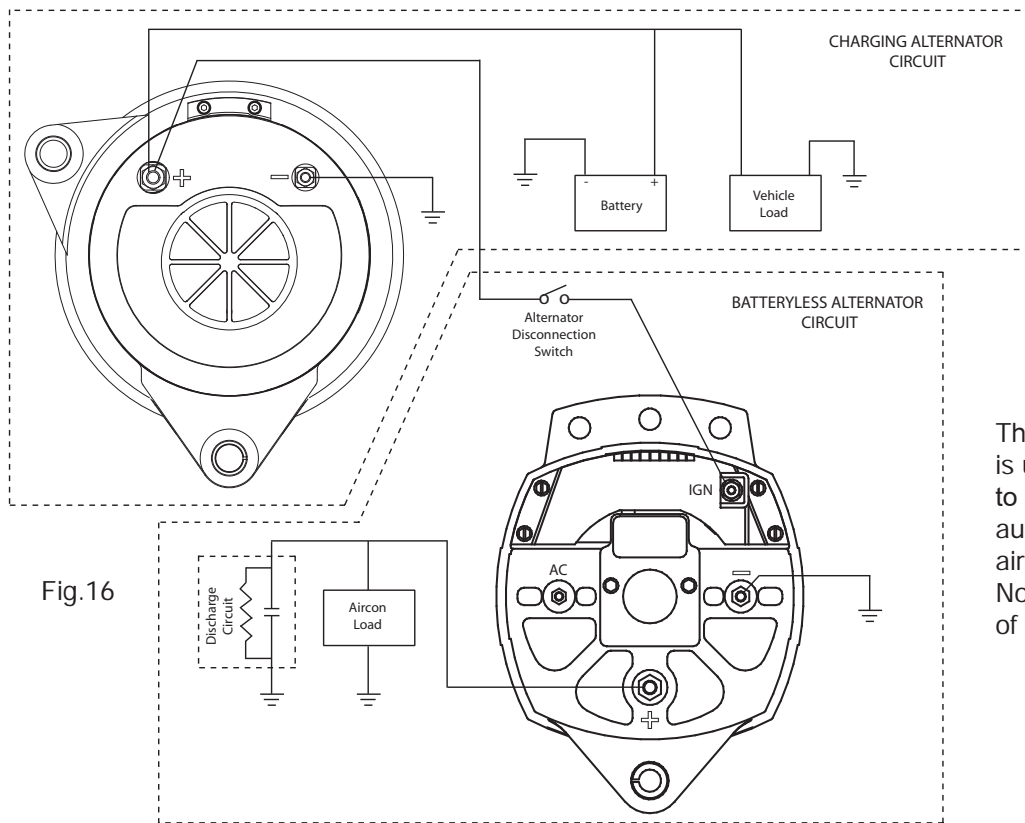


Fig.15

This is an earth return alternator. The vehicle harness plugs directly into the regulator connection. The regulator may interact with the vehicle ECU. These regulators are not interchangeable as some functions vary depending on vehicle. Ensure the correct regulator / alternator is specified.

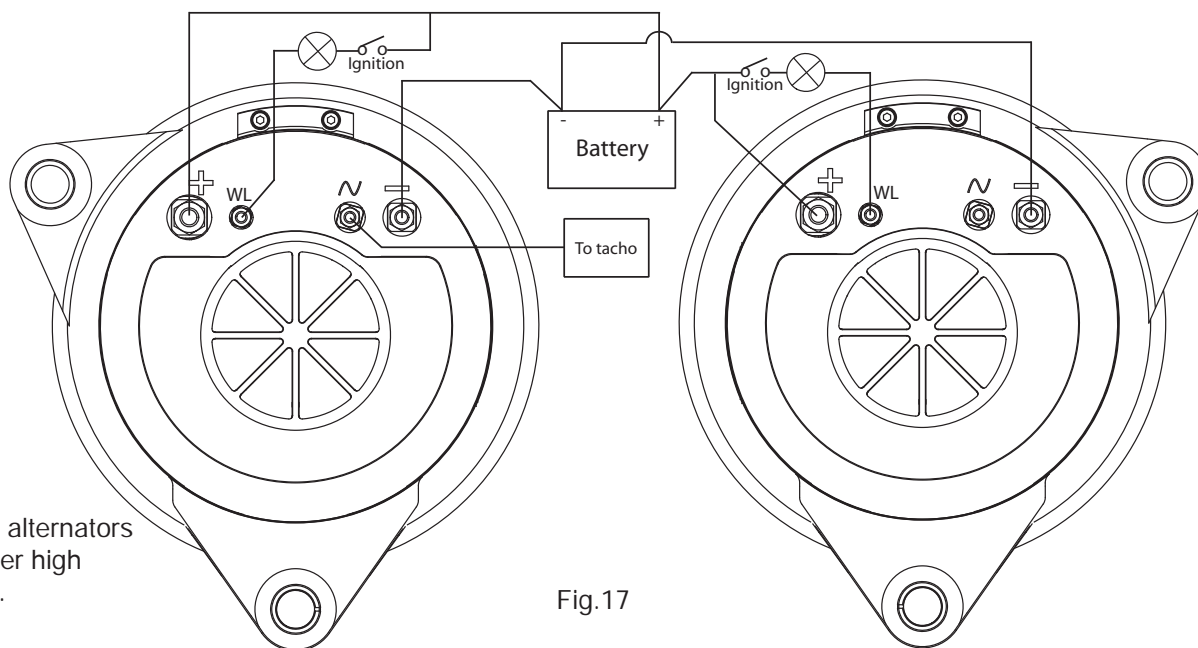
Alternator Wiring Diagrams

continued...



This type of alternator is used to supply power to operate fixed load auxiliary systems, eg. airconditioning.
Note: Not for use as part of charging system .

Multiple applications are common placed where high current demand is required, typically on coaches. It is important that where multiple alternators are used, failure to do so would cause one of the alternators to shutdown. In addition it also important that the length of cables for the two alternators be kept the same to ensure that the voltage drops in the lines are identical (or as close as possible). The voltage drops must not exceed 1.0V.



Two (or more) alternators paired to deliver high current output.

Fig. 17

Alternator Function

The alternator essentially consists of 3 components; the rotor / stator assy, the rectifier and the regulator.

The rotor and stator assembly utilised basic physics to generate electricity by rotating an electromagnetic field (rotor) within a series of windings (stator). This produces a 3 phase alternating current (AC) output from the stator.

The AC output is not suitable for DC system. The rectifier utilised a series of diodes to convert the original AC output to a direct current (DC) output, which is supplied to the vehicle loads and batteries.

The regulator controls the output of the alternator by increasing and decreasing the magnetic field of the rotor as required.

The alternator must be able to supply current to all required loads and have sufficient capacity to charge the vehicle batteries.

Most vehicles have some kind of warning light function that indicates when the alternator is not functioning as expected. This warning light will be illuminated when the ignition is switched on, but engine not started. Once the engine has been started and is idling the warning light go out. This warning light circuit also serves as an excitation for the alternator, supplying approx 2.0-2.8W. The alternator will not charge if the warning light is not connected.

For alternator wiring details refer to Fig.12 - to Fig.17. These illustrations are for reference only, please contact the Technical Helpline on +44 (0) 20 231 1137 for specific wiring information.

Alternator Troubleshooting Guide

Problem	Possible cause	Action
No warning light when switched on	Flat battery	Check battery, charge in accordance with battery manufacturer's specification if required.
	Blown warning light bulb or fuse	Check warning light bulb or fuse.
	Poor / incorrect connections	Check wiring and connections.
Warning light does not go out when engine idling	Poor / incorrect connections	Check wiring and connections.
	Warning light shorted to earth	Check wiring and connections.
	Excessive voltage drop in ignition circuit	Check wiring and connections.
	Faulty rectifier	Check rectifier circuit and diodes.
	Faulty regulator or alternator	Remove and test regulator and alternator.
Low output	Slipping drive	Check Pulley, belts or coupling.
	Faulty regulator or alternator	Remove and test regulator and alternator.
Flickering warning light	Slipping drive	Check Pulley, belts or coupling.
	Volt drop in sensing line	Check wiring and connections.
	Faulty regulator or alternator	Remove and test regulator and alternator.
Battery overcharging, high alternator output voltage	Faulty regulator	Remove and test regulator.

Glossary of Starter Motor Terms

Direct return starter motors will only be fitted with a B+ (battery positive) terminal. The negative part of the electrical circuit is completed through the body of starter motor and the vehicle chassis.

Insulated return starter motors have B+ (battery positive) and B- (battery negative) terminals, ie the battery leads at the alternator are insulated from the vehicle chassis.

B- terminal is the battery negative terminal on the alternator or starter motor.

B+ terminal is the battery positive connection terminal on starter motor, normally found on solenoid.

Solenoid B+ terminal is the positive feed connection to the solenoid.

Ground terminal is a cold start terminal.

Rotation is generally in a clockwise (CW) direction, when looking at the front of the starter motor, however there are counter clockwise CCW applications.

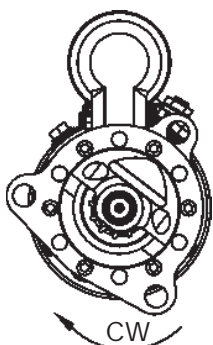


Fig.7

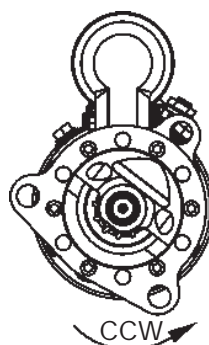


Fig.8

Pinion rest position is the measured distance between the mounting flange and the front face of pinion when the starter is not energised. (See Fig. 9)

Pinion full travel position is the measured distance between the mounting flange and the front face of the pinion when the starter motor is energised. (See Fig.9)

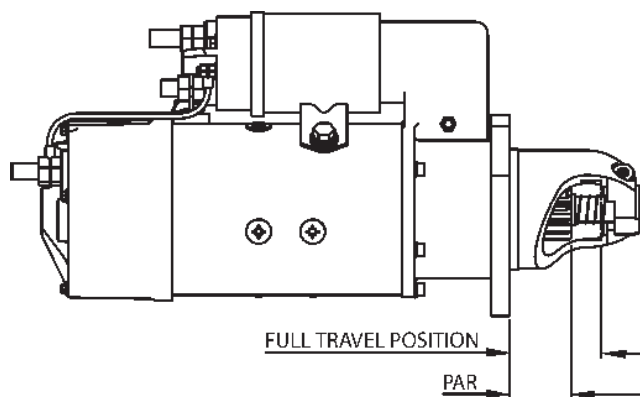


Fig.9

Glossary of Starter Motor Terms continued..

ole oi wite is the part of the starter that activates the engagement / disengagement of the pinion/drive to the vehicle ringgear/flywheel, and also connects the battery to the motor via contact switch.

Mounting configurations. Several options are available, the most common are SAE1 and SAE3. See fig. 10 - fig.12.

The 3 mounting holes are on a PCD of 127mm, spaced at 90°

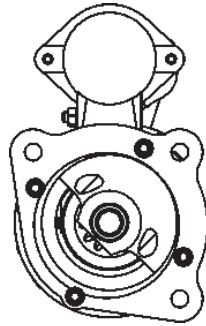


Fig.10

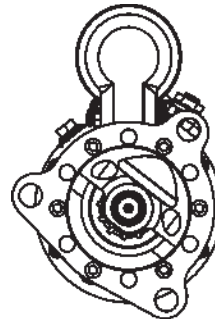


Fig.11

The 3 mounting holes are on a PCD of 146mm, equi-spaced at 120°

t rter ri e is the mechanism linking the starter rotational force and the vehicle engine, via ring gear/flywheel. This incorporates an overrun device to protect the motor in the event that the starter is not released when the engine has started.

e pi io is the geared component on the drive that interfaces with the ring gear / flywheel.

Starter Motor Wiring Diagrams

The wiring diagrams shown below are typical and for reference only. For specific wiring diagrams or information, please contact the Technical Helpline on +44 (0) 20 8231 1137

The fitment of a Starter Lockout unit is recommended to prevent energising of starter motor whilst engine is running.

The negative circuit is supplied through the vehicle chassis and the starter motor frame.

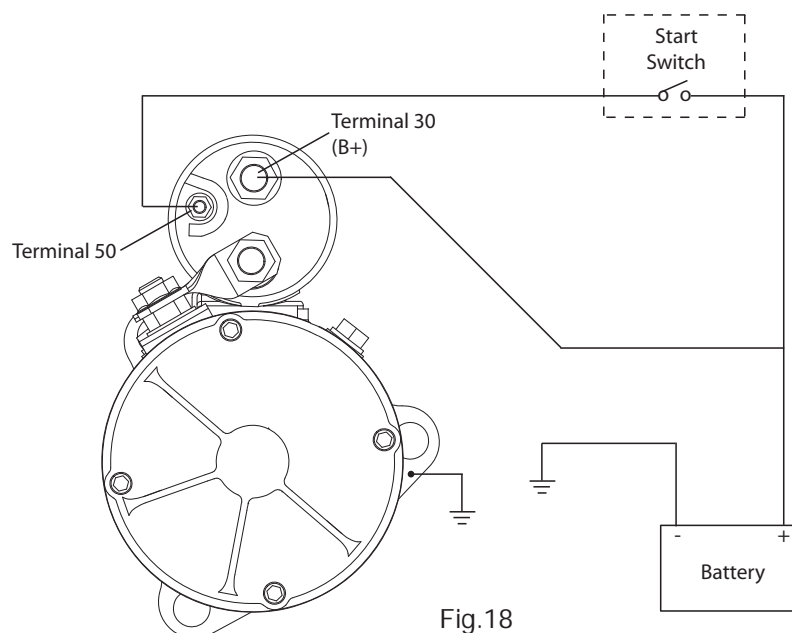


Fig.18

Starter Motor Wiring Diagrams

continued...

The negative circuit is isolated from starter motor frame and vehicle chassis.

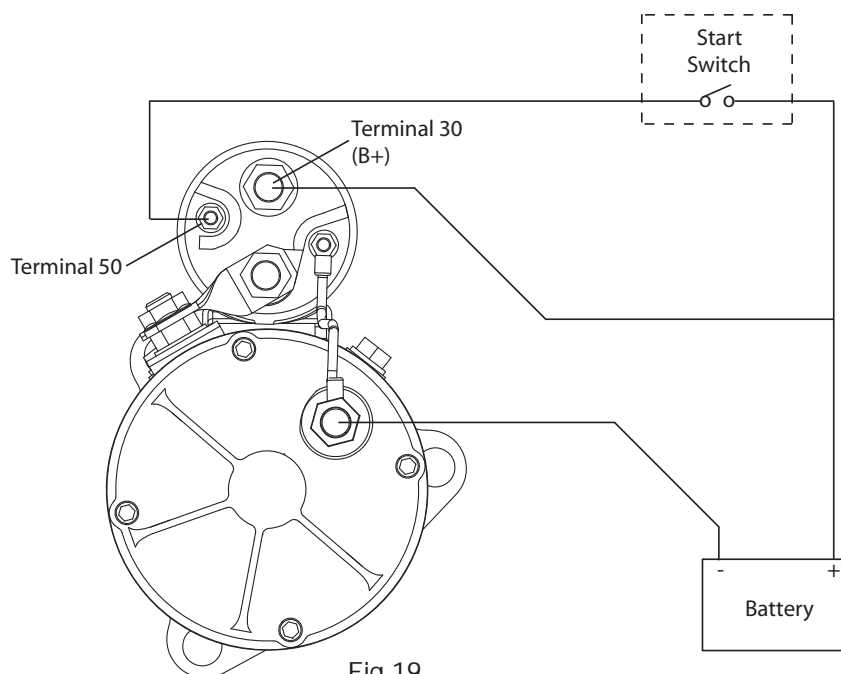


Fig.19

Used on gear reduction starters to limit current draw during soft start operation.

Do not disconnect or bypass the control relay (if fitted) on the starter motor.

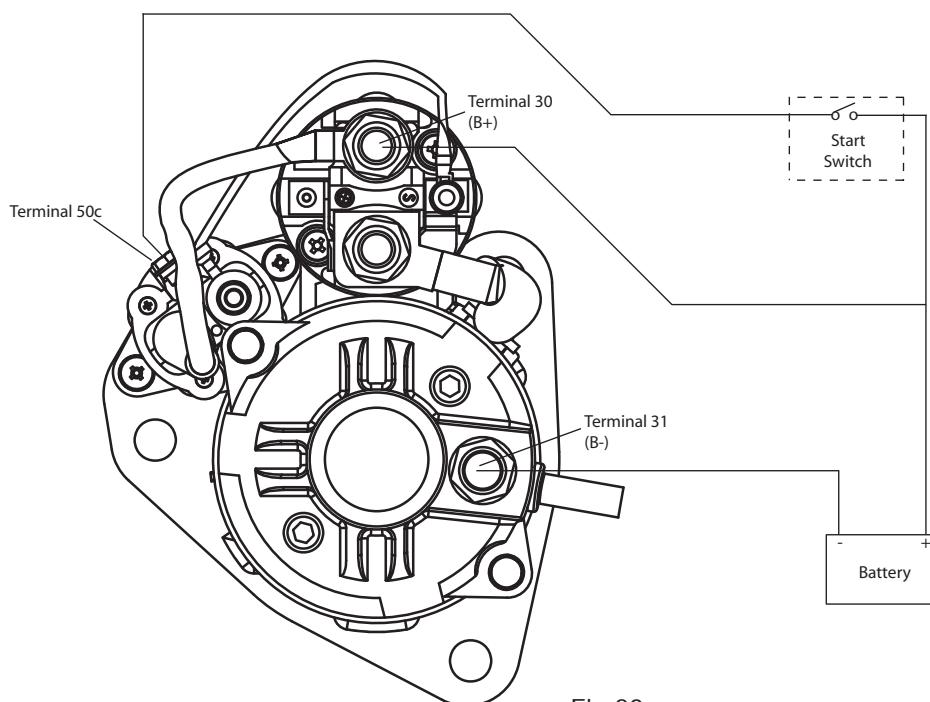


Fig.20

Starter motor Function

The basic components of the starter motor is the solenoid (switch), the motor, the shift assembly and the drive assembly.

When the circuit is energised, via the start button, the solenoid is activated into 1st stage contact, which engages the linkage system in the shift assembly and in turn moves the drive towards the ringgear. At this point a small current will flow through the motor causing a slow rotation of the motor and drive, this is to allow for the pinion to engage the ringgear correctly.

Once the pinion has engaged the ringgear, the solenoid 2nd contact will be activated and full current will be supplied to the motor, causing the motor to rotate at full speed and torque, cranking the engine via the drive and ringgear.

Once the engine has started and the engine speed is higher than that of the starter motor the overrunning protection function of the drive will prevent the engine accelerating the starter motor. As soon as the engine has started the driver / operator should release the starter button.

Please note that the over-run clutch protection function will be damaged by wreckless & prolonged over-cranking.

Gear-reduction starter motors are becoming increasingly popular due to compact design. These starters operate in the same manner, but is fitted with a small gearbox between the motor and the shift / drive assembly.

For starter motor wiring details refer to Fig.18, Fig.19 and Fig.20. These illustrations are for reference only, please contact the Technical Helpline on +44 (0) 20 8231 1137 for specific wiring information.

Starter motor Troubleshooting Guide

Problem	Possible cause	Action
Starter does not engage	Flat battery	Check battery, charge in accordance with battery manufacturer's specification if required.
	Poor / incorrect connections	Check wiring and connections.
	Faulty ignition or start button	Check battery voltage is available at the starter motor solenoid terminals when ignition / button operated.
	Faulty solenoid / auxiliary solenoid	Test operation of the solenoid / auxiliary solenoid.
	Faulty starter	Remove and rectify.
Starter engages but does not crank the engine	Flat battery	Check battery, charge in accordance with battery manufacturer's specification if required.
	Poor / incorrect connections	Check wiring and connections.
	Excessive volt drop in main cables	Check voltage drop by measuring voltage between starter terminals and battery terminals. Also, check earth circuit when ignition / button is operated.
	Incorrect starter timing	Remove and rectify.
	Faulty starter	Remove and rectify.
Starter engages but cranks slowly	Flat battery	Check battery, charge in accordance with battery manufacturer's specification if required.
	Poor / incorrect connections	Check wiring and connections.
	Excessive volt drop in main cables	Check voltage drop by measuring voltage between starter terminals and battery terminals. Also, check earth circuit when ignition / button is operated.
	Faulty solenoid	Remove and replace.
	Faulty starter	Remove and rectify.
Starter spins against flywheel	Spacer or mounting flange unnecessary	Check if spacer is required and discard if unnecessary
	Incorrect starter timing	Remove and rectify.
	Faulty starter	Remove and rectify.



BUS & COACH APPLICATION GUIDE 2019

ALTERNATORS



OUTPUT
V/A

NOTES / NOTAS /
ANMERKUNG

AEC						
Routemaster			Cummins B	1277A810	24V / 155A	was 1277360, 880632SBZ
Routemaster				1277A730	24V / 155A	
Routemaster				8SC3157V	24V / 100A	
ALEXANDER DENNIS						
Dart			Cummins ISBe4 3.9ltr, 6 5.9ltr (Euro 2,3,4)	1277A740	24V / 155A	
Dragon	1990		Cummins L10	1283211	24V / 265A	Aircondition for China
Enviro 200	2003		Cummins ISBe4 (Euro 3) 3.9ltr	1277A740	24V / 155A	
Enviro 200	2010		Cummins ISBe	AVI147S3108HD	24V / 120A	Plaxton body
Enviro 200 Dart	2006		Cummins ISB(e)4 (Euro 2,3,4) 4.5ltr	1277A740	24V / 155A	
Enviro 200 Dart	2006		Cummins ISB(e)6 (Euro 2,3,4)	1277A730	24V / 155A	
Enviro 300			Cummins ISBe 220 6cyl (Euro 2,3,4) 5.9ltr	1277A730	24V / 155A	
Enviro 300			Cummins ISBe 220 6cyl (Euro 2,3,4) 5.9ltr	1277A740	24V / 155A	
Enviro 400			Cummins ISBe 220 6cyl (Euro 2,3,4) 5.9ltr	1277A730	24V / 155A	
Enviro 400, 400H			Cummins ISBe 220 6cyl (Euro 2,3,4) 5.9ltr	1277A740	24V / 155A	
Javelin	1987	1996	Cummins 6CT	1277A810	24V / 155A	was 1277360, 880632SBZ
Javelin	1996		Cummins 6CT	1277A730	24V / 155A	
Javelin	2000		Cummins 6CT	1277A730	24V / 155A	
Javelin	2001			1277A760	24V / 155A	Bosch T1
Javelin			Cummins ISBe 6cyl (Euro 2,3,4) 5.9ltr	1277A740	24V / 155A	
Lance (Wright)	1996		Cummins 6C,CT	1277A730	24V / 155A	w a/c 2 units
Pointer		2006	Cummins ISBe 4 (Euro 3) 3.9ltr	1277A740	24V / 155A	based on Dart SLF chassis
R series			Cummins ISC(e) (Euro 2,3)	1277A730	24V / 155A	
R series			Cummins ISMe (Euro 2,3) 11ltr 6 cyl	880725BZ	24V / 180A	1286510
SPD			Cummins ISB EPA	1286B570	24V / 180A	1286570 only Canada
Trident	1997		Cummins M11 10,8ltr	1286B570	24V / 180A	double deck, 3 axle
Trident II	2000		Cummins 6CT	1277A730	24V / 155A	
Trident II	2003		Cummins ISCe (Euro 2, 3) ISCe 6 (Euro 4) 8.3ltr	1277A730	24V / 155A	
Trident II			Cummins	1277A750	24V / 155A	
Trident III		2004	Cummins M11 ISMe Euro 2,3	1286B590	24V / 180A	
Various			Cummins	AVI147S3108HD	24V / 120A	
Various			Cummins	860810GB	24V / 100A	
Various			Cummins	1277A730	24V / 155A	
Various			Cummins	1277A740	24V / 155A	
Various				1286B640	24V / 190A	
Various				1286B510	24V / 180A	
Various				1286B560	24V / 180A	
Various				1286B580	24V / 200A	



OUTPUT
V/A

NOTES / NOTAS /
ANMERKUNG

ALEXANDER DENNIS

Various				1286B640	24V / 190A	
Various				1286B670	24V / 200A	
Various				880731BZ	24V / 180A	Recon

ANKIA

HFF6110GS-1			Cummins	1277A730	24V / 155A	same AC172RA301A
-------------	--	--	---------	-----------------	------------	------------------

AYATS

Bravo	2001		D2866LOH01, 02, 03 12,0 ltr	1277A700	24V / 155A	28.0v
Bravo	2001		D2866LOH01, 02, 03 12,0 ltr	1277A760	24V / 155A	28.5v
Bravo 1			MAN engine	AVI147S3103HD	24V / 120A	3 units fitted

BEDFORD

VAM-YRT	1969	1974	466	66021507	24V / 55A	was 857645
YLQ-YMT-YNT	1975	1978	500	66021507	24V / 55A	was 857645

BMC

Bus			Cummins ISBe	1277A740	24V / 155A	
-----	--	--	--------------	-----------------	------------	--

BOVA

Magiq MHD122	2006.1		DAF MX300 (408hp)	861066GB	24V / 112A	
Magiq MHD131 Magnum	2007.07		DAF MX340	861066GB	24V / 112A	
Magiq MHD139 Magnum	2007.07		DAF MX340	861066GB	24V / 112A	
Magiq MHD148 Magnum	2007.07		DAF MX340	861066GB	24V / 112A	
Synergy SDD130	2007.07		DAF MX340	861066GB	24V / 112A	
Synergy SDD141	2007.07		DAF MX340	861066GB	24V / 112A	
Ventura				1277A760	24V / 155A	

BRISTOL BUS

VR	1974		Gardner 6.0ltr, 180hp	880636Z	24V / 80A	1284001
VRT3	1975		401	66021507	24V / 55A	was 857601

CHINESE BUS

6126N				8SC3110VC	24V / 150A	8SC3110VC 64
Various models			DCEC ISCE/ISLE (China)	1277A730	24V / 155A	AC172RA301A

CREDO

EC11			Iveco	860810GB	24V / 110A	
------	--	--	-------	-----------------	------------	--

CUMMINS (CHINA BUS)

Various - Engine			DCEC 6B (Cummins China)	8LHA3096UC 23	24V / 110A	3415536
Various - Engine			DCEC ISBE (Cummins China)	1277A730	24V / 155A	AC172RA301A
Various - Engine			DCEC ISCE/ISLE (China)	1277A740	24V / 155A	AC172RA308B
Various - Engine			DCEC ISDE (Cummins China)	AVI136A101	24V / 70A	4935821
Various - Engine			DCEC 6B (Cummins China)	JFZ275	24V / 70A	4844738
Various - Engine			DCEC 6B (Cummins China)	JFZ276W	24V / 70A	3415609

DAF (VDL)

SB220 / SB220GS				1277A840	24V / 155A	
SB3000			11.6ltr	1277A840	24V / 155A	Bosch T1

DENNIS

See Alexander Dennis						
----------------------	--	--	--	--	--	--

BUS & COACH APPLICATION GUIDE 2019

ALTERNATORS



OUTPUT
V/A

NOTES / NOTAS /
ANMERKUNG

DEUTZ (CHINA BUS)

Various - Engine			BF4M1013. 4,764 l,	AVE2716H1	24V / 70A	3701010-D147
Various - Engine			BF6M1013. 7,146 l	1277A680	24V / 155A	AC172TRA6A
Various - Engine			BF6M1013. 7,146 l	8LHA3013UC 03	24V / 120A	S3701010AD003
Various - Engine			C6ADE2 6,618 l	8LHA3096UC	24V / 110A	8LHA3096UC14
Various - Engine			C6ADE3 6.618 l	8LHA3096UC	24V / 110A	8LHA3096UC14
Various - Engine			CA4DC 3,168 l	AVi144B2008	12v / 150A	S3701010-C466
Various - Engine			CA6DF 7,127l	JFZ276L	24V / 70A	S3701010-R02G
Various - Engine			CA6DFL 8,123/8,424 l	8SC3238VC	24V / 150A	8SC3238VC B15

FIAT

Ducato Panorama bus 2.4D	1982.07	1985.12		20130207	12V / 65A	
Ducato Panorama bus 2.5D	1986.01	1990.08		20130207	12V / 65A	

GAZ (RUSSIA)

GAZel			Cummins ISF 2.8l	AViC2002	12V / 150A	5272634
-------	--	--	------------------	-----------------	------------	---------

GOLDEN DRAGON (CHINA BUS)

AGX317			Cursor 8 engine	860710GBA	24V / 90A	10 groove pulley
Bus			Yulin Diesel YC6L280-30	JFZ2110D3	24V / 110A	
Bus			DCEC 6B (Cummins China)	JFZ295D	24V / 90A	
GX327			Cursor 8 engine	860710GBA	24V / 90A	10 groove pulley
XML6121E1A			DCEC ISC (Cummins China)	8SC3141VC	24V / 140A	8SC3141VC A1
XML6121E1A/G				8SC3110VC	24V / 150A	8SC3110VC 65 (batteryless)
XML6121E1G			DCEC ISBE (Cummins China)	JFZ291 D9	24V / 90A	

HEULIEZ

ALTERNATEUR			Cummins/Iveco engine	860810GB	24V / 110A	Standard, with pulley
ALTERNATEUR			Cummins/Iveco engine	AVI144S3108HD	24V / 120A	Upgrade, with pulley
			MIHR 06.20.45A41 9.8ltr	1277520	24V / 80A	
			Volvo engine	860804GB	24V / 110A	Standard, with pulley
			Volvo engine	AVI147J3110HD	24V / 120A	Upgrade
			Volvo engine	AVI147J3120HD	24V / 120A	Upgrade, with pulley

HIGER (CHINA)

KLQ6108GQ			DCEC ISBE220-31 (Cummins China)	1277A740	24V / 155A	AC172RA343B
KLQ6109Q			DCEC ISDE270-30 (Cummins China)	1277A740	24V / 155A	AC172RA343B
KLQ6728			Chaoyang Diesel CY4101BZLQ (China)	JFZ2101S-C	24V / 100A	
KLQ6856E3			DCEC ISDE185-30 (China)	1277A740	24V / 140A	AC172RA343B
KLQ6856Q			EQB180-20 (Cummins China)	8LHA3096UC	24V / 110A	8LHA3096UC 23
KLQ6885			DCEC 6B (Cummins China)	8LHA3096UC	24V / 110A	8LHA3096UC 23
KLQ6896E3			DCEC ISDE210-30 (Cummins China)	1277A740	24V / 140A	AC172RA343B
KLQ6896QE3			DCEC IDE210-30S (Cummins China)	1277A740	24V / 140A	AC172RA343B
S7-S8			Cummins EQB180-20 180hp	8SC3240VC 01	24V / 150A	



OUTPUT
V/A

NOTES / NOTAS /
ANMERKUNG

HIGER (CHINA)

S7-S8		Cummins B5,9 215hp (Brazil)	8SC3240VC 01	24V / 150A	
S7-S8		YC6105ZLQ 210hp	8SC3238VC	24V / 150A	8SC3238VC 11
S7-S8		Isuzu 6HE1 230hp	8SC3238VC	24V / 150A	8SC3238VC 40
S7-S8		EQB210-20 210hp	8SC3240VC 01	24V / 150A	
S7-S8		Cummins 5,9 215hp (Brazil)	8SC3240VC 01	24V / 150A	
S7-S8		YC6G270-30 270hp Euro3	8SC3238VC	24V / 150A	8SC3238VC 06
S7-S8		Cummins ISCe260 30 Euro3	1277A730	24V / 155A	AC172RA301A
S7-S8		KLQ6728 eng. Iveco SOFIM 130hp	AVi1441F11	24V / 90A	
S7-S8		KLQ6702 engine, CY4102BZLQ 3,856 L, 120hp	JFZ2101S-C	24V / 100A	
S7-S8 KLQ6795		YC4112ZLQ	8SC3238VC	24V / 150A	8SC3238VC 06
S7-S8 YP4112ZLQ		YC4112ZLQ 180hp	8SC3238VC	24V / 150A	8SC3238VC 06

IKARUS

250		Rába D 2156 HM6UT	861001	24V / 35A	
250		Rába D 2156 HM6UT	861001	24V / 35A	
266		Rába D 2156 HM6U	861001	24V / 55A	
396		Volvo DH10A360	860562	24V / 80A	N1 80A
417		MAN D2866 LUH 20 Euro2	1277A720	24V / 155A	T1, Voltsetting 28.0
417		MAN D2866 LUH 20 Euro2	1277A760	24V / 155A	T1, Voltsetting 28.5
256.4x/C56		Detroit Diesel S50	1277A700	24V / 155A	
350/365		Rába D 2156 MT6UT	861001	24V / 55A	
350/365		Cummins LTA 10-B290	859020	24V / 55A	
395/E95		Scania DSC 1121	860157	24V / 55A	
395/E95		Scania DSC 912	860557	24V / 65A	
395/E95		Scania DSC 912	860340	24V / 155A	
395/E95		Scania DSC 912	860620	24V / 65A	
395/E95		Scania DC 902 E3	860340	24V / 155A	
395/E95		Scania DC 903 E3	860620	24V / 65A	
395/E95		Scania DC 903 E3	860340	24V / 155A	
395/E95		Scania DC 903 E3	860620	24V / 65A	
395/E95		Volvo D7A 285 E2	858884	24V / 55A	N1 55A
395/E95		Volvo D7A 285 E2	860562	24V / 80A	N1 80A
395/E95		Volvo D7C 275 E3	860562	24V / 80A	N1 80A
395/E95		Volvo D7C 275 E3	1277A680	24V / 155A	T1
395/E95		Volvo D7C 275 E3	880703BZ	24V / 115A	1286B500, 1286500
395/E95		Volvo D7C 310 E3 turbo, Inter-cooler	860562	24V / 80A	N1 80A
395/E95		Volvo D7C 310 E3 turbo, Inter-cooler	1277A680	24V / 155A	T1
395/E95		Volvo D7C 310 E3 turbo, Inter-cooler	860551	24V / 80A	
395/E95		Volvo D7C 310 E3 turbo, Inter-cooler	880703BZ	24V / 115A	1286B500, 1286500
397/E97			1277A680	24V / 155A	T1

BUS & COACH APPLICATION GUIDE 2019

ALTERNATORS



OUTPUT
V/A

NOTES / NOTAS /
ANMERKUNG

IKARUS

398/E98			Scania DSC 1202 E2	860557	24V / 65A	
398/E98			Scania DSC 1202 E2	860620	24V / 65A	Insulated ground
398/E98			Scania DSC 1205 E2	860557	24V / 65A	
398/E98			Scania DSC 1205 E2	860620	24V / 65A	Insulated ground
398/E98			MAN D2866 LOH 23 E2	1277A720	24V / 155A	T1 Voltsetting 28.0
398/E98			Cummins M11-380 E2	880703BZ	24V / 115A	1286B500, 1286500
412(/411)			MAN D0826 LOH 17 Euro 2	1277A720	24V / 155A	T1, Voltsetting 28.0
Bus				861309Z	24V / 140A	
E94/E94F			Scania 911 (162 kW/220 LE)	860557	24V / 65A	
E94/E94F			Scania 912 (191 kW/260 LE)	860557	24V / 65A	
E94/E94F			Scania 915 (228 kW/310 LE)	860557	24V / 65A	
E94G			MAN D2866 LUH 20 E2	1277A720	24V / 155A	T1, Voltsetting 28.0
E94G			Cummins C280.20	1277A730	24V / 155A	
E94G			Cummins C280.20	880704BZ	24V / 180A	1286B500, 1286500
E95			Scania	860340	24V / 140A	Fitting kit included
E99			Scania DSC 1205 E2	860557	24V / 65A	
SD41102K			Cummins C	1277A730	24V / 155A	
			MAN D0826 LUH 12	1277A760	24V / 155A	T1, Voltsetting 28.5

IRISBUS

Agora Citybus GNV	1994.09		MGDR 06.20.45 A491, D491, MIDR 06.20.45 J41 9,9ltr, MGDR 06.20.45J491 9,9ltr 185kW	1277A680	24V / 155A	
Agora Citybus GX317	1994.09		MIDR 06.20.45J41 9,9ltr 220kw	1277A680	24V / 155A	
Agora Line	1998.05		MI7R 06.20.45B41, .45C41 9,9ltr	860561	24V / 80A	N1
Agora Line	1998.05		MI7R 06.20.45B41, .45C41 9,9ltr	1277A680	24V / 155A	T1
Arés			Cursor 8 engine	860710GBA	24V / 90A	10 groove pulley
Arés			Iveco Cursor 8 engine	860706GBA	24V / 90A	6 groove pulley
Arés 300, 340, 380	1998.04		MIDR 06.20.45R41 9,8ltr, MIDR 06.23.56A/41 11,1ltr	1277A680	24V / 155A	T1
Arés 300, 340, 380	1998.04		MIDR 06.20.45R41 9,8ltr, MIDR 06.23.56A/41 11,1ltr	860561	24V / 80A	N1
Axer			Cursor 8 engine	860710GBA	24V / 90A	10 groove pulley
Axer			Iveco Cursor 8 engine	860706GBA	24V / 90A	6 groove pulley
Citelis			Cursor 8 engine	860710GBA	24V / 90A	10 groove pulley
Citelis			Iveco Cursor 8 engine	860706GBA	24V / 90A	6 groove pulley, Bosch type
Citelis			Iveco Cursor 8 engine	861284	24V / 90A	6 groove pulley, Mitsubishi type
Evadys			Iveco Cursor 8 engine	860712GBA	24V / 90A	12 groove pulley, Bosch type
Evadys			Iveco Cursor 8 engine	861286	24V / 90A	12 groove pulley, Mitsubishi type
FR 1	1992	1999	MIHR 06.20.45A41 9.8ltr	1277A730	24V / 155A	std equipped w/120A
Iliade GT, GTC, GTE, GTX, GTXE	1996.1	2001.09	MIDR 06.20.45M41 9,9ltr, MIDR 60.20.45M41, R41 9,9ltr	860561	24V / 80A	
Iliade GT, GTC, GTE, GTX, GTXE	1996.1	2001.09	MIDR 06.20.45M41 9,9ltr, MIDR 60.20.45M41, R41 9,9ltr	1277A680	24V / 155A	
Iliade RT, RTC, RTX, TEC, TEX	1996.1	2001.09	MIDR 60.20.45M41, R41 9,9ltr	860561	24V / 80A	



OUTPUT
V/A

NOTES / NOTAS /
ANMERKUNG

IRISBUS

Iliade RT, RTC, RTX, TEC, TEX	1996.1	2001.09	MIDR 60.20.45M41, R41 9,9ltr	1277A680	24V / 155A	
Iliade FRH	1996.1	2000	MIDR 60.20.45M41 9.9ltr	1277A730	24V / 155A	
P100/180	1993	1993	MIHR 06.20.45A41 9.8ltr	1277520	24V / 80A	AC172R
P100/180	1993		MIHR 06.20.45A41 9.8ltr	1277A740	24V / 155A	std equipped w/120A
Recreo			Iveco Cursor 8 engine	860706GBA	24V / 90A	6 groove pulley, Bosch type
Recreo			Iveco Cursor 8 engine	861284	24V / 90A	6 groove pulley, Mitsubishi type
Tracer	1992.03	1996	MIHS 06.20.45A,B 9.8ltr 185, 186,191 kW	1277A730	24V / 155A	std equipped w/120A
Tracer	1998.06	1991	MIHR 06.20.45A41 9,8ltr	1277A680	24V / 155A	
			Iveco Cursor	861340	24V / 120A	6 groove pulley
			Iveco Cursor	861341	24V / 120A	10 groove pulley
			Iveco Cursor	861342	24V / 120A	12 groove pulley

IVECO

370	1989.01	1999.12	13.8L 305hp / 244kW	861338	24V / 140A	
370			9.6L 243hp / 179kW	861338	24V / 140A	
370			17.2L 355hp / 261kW	861338	24V / 140A	
370.2			9.6L 243hp / 179kW	861338	24V / 140A	
370.24			12.9L 264hp / 194kW	861338	24V / 140A	
370.30	1989.01	1999.12	13.8L 305hp / 244kW	861338	24V / 140A	
370.35			17.2L 355hp / 261kW	861338	24V / 140A	
370.S30	1989.01	1999.12	13.8L 305hp / 244kW	861338	24V / 140A	
480.12.21 Turbocity-U	1988.04	1998.11	8460.21.611R 9,5ltr	>>>	-	see IRISBUS
580.10.21 Turbocity-S	1988.1	1998.11	8460.21.611R 9,5ltr	>>>	-	see IRISBUS
680.12.26 Turbocity-I	1989.06	1998.11	8460.21.601 9,5ltr	>>>	-	see IRISBUS
EuroClass 380....	1993.01	2002.11	8460.41.. 9.5ltr	>>>	-	see IRISBUS
EuroRider				861338	24V / 120A	
Paladio DV27 370 12.30	1991	2002.11	Euro 1	>>>	-	see IRISBUS
TRACER				1277A810	24V / 155A	
TRACER				1277A820	24V / 155A	

KARSAN

CXL			Cummins ISBe Euro6	860810GB	24V / 110A	upgrade AVI147S3108HD
MPXL			Cummins ISBe Euro6	860810GB	24V / 110A	upgrade AVI147S3108HD

KÄSSBOHRER (SETRA)

S 300 MultiClass S 313 UL	2001.07		OM457HLA 12,0ltr	1277A640	24V / 155A	
S 300 MultiClass S 315 H, NF, UL	2001.07		OM457HLA 12,0ltr	1277A640	24V / 155A	
S 300 MultiClass S 316 UL	2001.07		OM457HLA 12,0ltr	1277A640	24V / 155A	
S 300 MultiClass S 317 UL	2001.07		OM457HLA 12,0ltr	1277A640	24V / 155A	
S 300 MultiClass S 319 NF, UL	2001.07		OM457HLA 12,0ltr	1277A640	24V / 155A	
S 300 MultiClass SG 321 UL	2001.07		OM457HLA 12,0ltr	1277A640	24V / 155A	
Setra S 200	1976.08	1981.12	OM403 16,0ltr	1277A640	24V / 155A	

BUS & COACH APPLICATION GUIDE 2019

ALTERNATORS



OUTPUT
V/A

NOTES / NOTAS /
ANMERKUNG

KÄSSBOHRER (SETRA)

Setra S 208	1976.08	1980.01	OM401 9,6ltr	1277A640	24V / 155A	
Setra S 208 H	1979.09	1983.1	OM352.900 5,7ltr	1277A640	24V / 155A	
Setra S 209	1976.08	1980.01	OM401 9,6ltr	1277A640	24V / 155A	
Setra S 209 H	1980.01	1983.1	OM421.900 11,0ltr	1277A640	24V / 155A	
Setra S 210 H..	1983.1	1996.06	OM421A, OM421.900 11,0ltr	1277A640	24V / 155A	
Setra S 210 H..	1989.03	1996.06	OM441A 11,0ltr	1277A640	24V / 155A	
Setra S 210 H..	1989.03	1996.06	OM441A 11,0ltr	1277A670	24V / 155A	
Setra S 210 H..	1989.1	1996.06	OM421A, OM421.900 11,0ltr	1277A670	24V / 155A	
Setra S 211 H	1976.08	1980.01	OM401 9,6ltr	1277A640	24V / 155A	
Setra S 211 H..	1980.01	1996.06	OM422.900 14,6ltr	1277A640	24V / 155A	
Setra S 211 H..	1985.09	1996.06	OM421A 11,0ltr	1277A640	24V / 155A	
Setra S 211 H..	1989.1	1996.06	OM421A 11,0ltr	1277A670	24V / 155A	
Setra S 211 H..	1989.1	1996.06	OM422.900 14,6ltr	1277A670	24V / 155A	
Setra S 212	1976.08	1981.12	OM403 16,0ltr	1277A640	24V / 155A	
Setra S 212 H	1976.08	1980.01	OM402 12,8ltr	1277A640	24V / 155A	
Setra S 212 H	1980.01	1983.05	OM421.900 11,ltr	1277A640	24V / 155A	
Setra S 212 H	1980.01	1983.05	OM422.900 14,6ltr	1277A640	24V / 155A	
Setra S 213 H	1976.08	1980.01	OM402 12,8ltr	1277A640	24V / 155A	
Setra S 213 H	1976.08	1981.12	OM403 16,0ltr	1277A640	24V / 155A	
Setra S 213 H.., HR.., RL	1980.01	1996.06	OM422.900, OM422.901A 14,6ltr	1277A640	24V / 155A	
Setra S 213 H.., HR.., RL	1983.02	1989.09	OM422.900, OM422.901A 14,6ltr	1277A640	24V / 155A	
Setra S 213 H.., HR.., RL	1989.1	1996.06	OM422.900, OM422.901A 14,6ltr	1277A670	24V / 155A	
Setra S 214 H..	1986.09	1995.01	D2866KOH, D2866LOH12,0ltr	1277A670	24V / 155A	
Setra S 214 HD..	1983.09	1996.06	OM422.900, OM422.901A 14,6ltr	1277A640	24V / 155A	
Setra S 214 HD..	1989.10.	1996.06	OM422.900, OM422.901A 14,6ltr	1277A670	24V / 155A	
Setra S 215	1976.08	1980.01	OM401 9,6ltr	1277A640	24V / 155A	
Setra S 215 H	1976.08	1981.12	OM403 16,0ltr	1277A640	24V / 155A	
Setra S 215 H	1976.08.	1980.01	OM402 12,8ltr	1277A640	24V / 155A	
Setra S 215 H..	1980.01	1996.06	OM422.900, OM422.901A 14,6ltr	1277A640	24V / 155A	
Setra S 215 H..	1986.09	1995.01	D2866KOH, D2866LOH 12,0ltr	1277A670	24V / 155A	
Setra S 215 H..	1988.07	1996.06	OM442A 14,6ltr	1277A670	24V / 155A	
Setra S 215 H..	1988.07	1996.06	OM442A 14,6ltr	1277A640	24V / 155A	
Setra S 215 H..	1989.1	1996.06	OM422.900, OM422.901A 14,6ltr	1277A670	24V / 155A	
Setra S 215 H..	1996.06		OM442LA 14,6ltr	1277A640	24V / 155A	
Setra S 215 HR.., RL	1983.09	1996.06	OM422.900, OM422.901A 14,6ltr	1277A640	24V / 155A	
Setra S 215 HR.., RL	1989.1	1996.06	OM422.900, M422.901A 14,6ltr	1277A670	24V / 155A	
Setra S 215 SL, UL	1983.09	1985.09	OM407h, Ha 11,4ltr	1277A640	24V / 155A	



OUTPUT
V/A

NOTES / NOTAS /
ANMERKUNG

KÄSSBOHRER (SETRA)

Setra S 215 SL, UL	1985.09	1996.06	OM427h, hA 12,0ltr	1277A640	24V / 155A	
Setra S 215 SL, UL	1989.1	1996.06	OM427h, hA 12,0ltr	1277A670	24V / 155A	
Setra S 216 HDS	1986.09	1995.01	D 2866KOH 12,0ltr	1277A670	24V / 155A	
Setra S 217 HDH.	1989.01	1996.06	OM442LA 14,6ltr	1277A640	24V / 155A	
Setra S 228 DT..	1989.01	1996.06	OM442A 14,6ltr	1277A670	24V / 155A	
Setra S 228 DT..	1989.01	1996.06	OM442A 14,6ltr	1277A640	24V / 155A	
Setra S 228 DT..	1989.01	1996.06	OM442LA 14,6ltr	1277A640	24V / 155A	
Setra S 250 Spezial	1994.07		D 2866LOH22 12,0ltr	1277A640	24V / 155A	
Setra S 250 Spezial	1994.07	1996.06	D 2866LOH22 12,0ltr	1277A670	24V / 155A	
Setra S 300 N, NC	1992.03		D 2866OH 12.0ltr	1277A670	24V / 155A	
Setra S 309 HD	1991.09		OM401LA 9,5ltr	1277A670	24V / 155A	
Setra S 309 HD	1992.09		OM441LA 11,0ltr	1277A640	24V / 155A	
Setra S 312 HD	1991.09		OM441LA 11,0ltr	1277A640	24V / 155A	
Setra S 312 HD	1991.09		OM441LA 11,0ltr	1277A670	24V / 155A	
Setra S 312 HD	1991.09		OM442LA 14,6ltr	1277A640	24V / 155A	
Setra S 312 HD	1991.09		OM442LA 14,6ltr	1277A670	24V / 155A	
Setra S 313 UL	1995.03		D 2866LUH 21 12,0ltr	1277A640	24V / 155A	
Setra S 313 UL	1995.03		D 2866LUH 21 12,0ltr	1277A670	24V / 155A	
Setra S 313 UL	1995.03		OM447hLA 12,0ltr	1277A640	24V / 155A	
Setra S 315 GT, GT-HD, H, HD, HDH	1991.09		OM441LA 11,0ltr	1277A640	24V / 155A	
Setra S 315 GT, GT-HD, HD, HDH	1991.09		OM442LA 14,6ltr	1277A640	24V / 155A	
Setra S 315 GT-HD	1996.07		OM442LA 11,0ltr	1277A640	24V / 155A	
Setra S 315 HD	1995.03		D 2866LOH23 12,0ltr	1277A640	24V / 155A	
Setra S 315 HD, HDH	1991.09		OM442A 14,6ltr	1277A670	24V / 155A	
Setra S 315 HD, HDH	1991.09.		Scania-DS11.22	1277A640	24V / 155A	twin alternators
Setra S 315 NF, UL	1994.09		OM447hLA 12,0ltr	1277A640	24V / 155A	
Setra S 315 UL	1994.09		D 2866LUH 21 12,0ltr	1277A640	24V / 155A	twin alternators
Setra S 316 HDS	1997.01		OM442LA 14,6ltr	1277A640	24V / 155A	
Setra S 317 HDH	1997.1		OM442LA 14,6ltr	1277A640	24V / 155A	
Setra S 319 GT-HD	1998.07		OM442LA 11,0ltr	1277A640	24V / 155A	
Setra S 319 NF, UL	1995.03		OM447hLA 12,0ltr	1277A640	24V / 155A	
Setra S 319 NF, UL	2001.07		OM457HLA 12,0ltr	1277A640	24V / 155A	
Setra S 319 UL	1995.03		D 2866LUH 21 12,0ltr	1277A640	24V / 155A	twin alternators
Setra S 328 DT	1993.04		OM442LA 14,6ltr	1277A640	24V / 155A	
Setra S 431 DT Top Class	2013		OM471 Euro6	861331	24V / 150A	
Setra S 431 DT Top Class	2013		OM471 Euro6	861334	24V / 150A	
Setra S 415 GT ComfortClass	2003.1		OM457.941	1277A650	24V / 155A	
Setra S 415 GT, GT-HD ComfortClass	2003.1		OM457.941 /944 /952	1277A650	24V / 155A	
Setra S 415 GT, S416 GT ComfortClass	2003.1		OM457.941, 457.952, 457.965	1277A650	24V / 155A	

BUS & COACH APPLICATION GUIDE 2019

ALTERNATORS



OUTPUT
V/A

NOTES / NOTAS /
ANMERKUNG

KÄSSBOHRER (SETRA)

Setra S 416 GT, GT-HD ComfortClass	2003.1		OM457.953 /961	1277A650	24V / 155A	
Setra S 417 GT-HD ComfortClass	2003.1		OM457.944	1277A650	24V / 155A	
Setra S 516 HD/2 Comfort Class	2013		OM470 Euro6	861331	24V / 150A	
Setra S 516 HD/2 Comfort Class	2013		OM470 Euro6	861334	24V / 150A	
Setra S 516 HDH Top Class	2013		OM471 Euro6	861331	24V / 150A	
Setra S 516 HDH Top Class	2013		OM471 Euro6	861334	24V / 150A	
Setra S 517 HDH Top Class	2013		OM471 Euro6	861331	24V / 150A	
Setra S 517 HDH Top Class	2013		OM471 Euro6	861334	24V / 150A	
Setra SG 321 UL	1995.03		D 2866LUH 21 12,0ltr	1277A640	24V / 155A	twin alternators
Setra SG 321 UL	1995.03		OM447hLA 12,0ltr	1277A640	24V / 155A	

KING LONG (CHINA BUS)

XMQ6121G EU (Coach / School bus)			Cummins ISLe4+280B engines	1277A730	24V / 155A	AC172RA301A
XMQ6127EU (Euro4)			Cummins ISLe4+400 and ISLe4 340	1277A730	24V / 155A	AC172RA301A
XMQ6127EU/HB Aircon			Cummins ISLe	8SC3150VC	24V / 150A	Batteryless alternator
XMQ6127HB			Yuchai	8SC3141VC	24V / 140A	
XMQ6210H			Yuchai	8SC3150VC	24V / 150A	Batteryless alternator
XMQ6210H			Yuchai	8SC3238VC	24V / 150A	
XMQ6800			CumminsISBe	1277A740	24V / 155A	AC172RA363B
XMQ6800 Aircon unit			CumminsISBe	8SC3150VC	24V / 150A	Batteryless alternator
XMQ6900			CumminsISBe4 +225B	1277A740	24V / 155A	AC172RA363B
XMQ6900 Aircon unit			CumminsISBe	8SC3150VC	24V / 150A	Batteryless alternator
XMQ6900Y			CumminsISBe4 225 and 250 engines	1277A740	24V / 155A	AC172RA363B

LEYLAND

Atlantean	1969	1986	680		24V / 60A	1284001 (AC203/060/24-1)
Lynx			Cummins L10	880641Z	24V / 115A	1285527 (AC203R)
Lynx			Volvo TD102	880641Z	24V / 115A	1285527 (AC203R)
National			Cummins	880700Z	24V / 60A	1284008 (AC203/060/24-8)
Olympian			Cummins L10	880641Z	24V / 115A	1285527 (AC203R)
Olympian			Gardner 6LXB engine	880700Z	24V / 60A	1284008 (AC203/060/24-8)
Olympian				8SC3133U	24V / 100A	was 110-298
Royal Tiger			Cummins TL11	880642Z	24V / 180A	1285600
Super Olympian (6x2)			Cummins L10	1283211	24V / 265A	
Super Olympian (6x2)			Cummins L10	1283232	24V / 265A	
Tiger			Cummins L10	880641Z	24V / 115A	1285527 (AC203R)
Titan			Gardner 6LX engine	880700Z	24V / 60A	1284008 (AC203/060/24-8)



OUTPUT
V/A

NOTES / NOTAS /
ANMERKUNG

MAN						
10.150 HOCL	1988.01	1992.05	D0826OH02 6,9ltr	860558	24V / 80A	
10.150 HOCL	1988.01	1992.05	D0826OH02 6,9ltr, D0826TOH01 6,9ltr	1277A720	24V / 155A	
10.150 HOCL	1988.01	1992.05	D0826OH02 6,9ltr	AVI144S3001	24V / 110A	Upgrade
11.150 HOCL	1992.05	1993.02	D0826OH02 6,9ltr	860558	24V / 80A	
11.150 HOCL	1992.05	1993.02	D0826OH02 6,9ltr	1277A720	24V / 155A	
11.150 HOCL	1992.05	1993.02	D0826OH02 6,9ltr	AVI144S3001	24V / 110A	Upgrade
11.190 HOCL	1992.04	1996.09	D0826LOH06 6,9ltr	858783	24V / 55A	
11.190 HOCL	1992.04	1996.09	D0826LOH06 6,9ltr	860167	24V / 35A	
11.190 HOCL	1992.04	1996.09	D0826LOH06 6,9ltr	860558	24V / 80A	
11.190 HOCL	1992.04	1996.09	D0826LOH06 6,9ltr	1277A720	24V / 155A	
11.190 HOCL	1992.04	1993.02	D0826LOH02 6,9ltr	1277A760	24V / 155A	T1 Voltsetting 28.5
11.190 HOCL	1992.04	1996.09	D0826LOH06 6,9ltr	AVI144S3001	24V / 110A	Upgrade
11.220 HOCL	1995.11	2001.04	D0826LOH15, D0826LOH19, D0826LUH12 6,9ltr	1277A720	24V / 155A	
11.220 HOCL	2001.01	2004.12	D0836LOH03 6,9ltr	1277A720	24V / 155A	Voltsetting T1 28.0
11.220 HOCL	2001.01	2004.12	D0836LOH03 6,9ltr	1277A760	24V / 155A	Voltsetting T1 28.5
11.230 HOCL	1993.04	1996.09	D0826LOH03 6,9ltr	858783	24V / 55A	N1 55A
11.230 HOCL	1993.04	1996.09	D0826LOH03 6,9ltr	860167	24V / 35A	K1 35A
11.230 HOCL	1993.04	1996.09	D0826LOH03 6,9ltr	860558	24V / 80A	N1 80A
11.230 HOCL	1993.04	1996.09	D0826LOH03 6,9ltr	1277A720	24V / 155A	T1 Voltsetting 28.0
11.230 HOCL	1993.04	1996.09	D0826LOH03 6,9ltr	1277A760	24V / 155A	T1 Voltsetting 28.5
11.230 HOCL	1993.04	1996.09	D0826LOH03 6,9ltr	AVI144S3001	24V / 110A	Upgrade
12.170 FOC, FOCL	1985.03	1990.01	D0226MKF/170 5,7ltr	859020	24V / 55A	
12.220 HOCL - NL	1998.07	2002.09	D0826LOH19 6,9ltr	1277A760	24V / 155A	
12.220 HOCL - NL, HOCL - SR	1999.04		D0836LOH03 6,9ltr	1277A760	24V / 155A	
12.280 HOCL - NL	2001.01	2002.09	D0836LUH02 6,9ltr	1277A760	24V / 155A	
13.220 HOCL	1995.11	1998.07	D0826LOH 6,9ltr	858783	24V / 55A	N1 55A
13.220 HOCL	1995.11	1998.07	D0826LOH 6,9ltr	860167	24V / 35A	K1 35A
13.220 HOCL	1995.11	1998.07	D0826LOH 6,9ltr	860558	24V / 80A	N1 80A
13.220 HOCL	1995.11	1998.07	D0826LOH 6,9ltr	1277A720	24V / 155A	T1 140A
13.220 HOCL	1995.11	1998.07	D0826LOH 6,9ltr	AVI144S3001	24V / 110A	Upgrade
13.220 HOCL	1998.07	2001.04	D0826LOH15 6,9ltr, D0826LUH12 6,9ltr	1277A720	24V / 155A	Voltsetting T1 28.0
13.220 HOCL	2001.05	2001.09	D0826LOH15 6,9ltr, D0826LUH12 6,9ltr	1277A760	24V / 155A	Voltsetting T1 28.5
13.230 HOCL	1995.11	2001.09	D0826LOH 6,9ltr	858783	24V / 55A	N1 55A
13.230 HOCL	1995.11	2001.09	D0826LOH 6,9ltr	860167	24V / 35A	K1 35A
13.230 HOCL	1995.11	2001.09	D0826LOH 6,9ltr	860558	24V / 80A	N1 80A
13.230 HOCL	1995.11	2001.09	D0826LOH 6,9ltr	1277A720	24V / 155A	T1 140A Voltsetting 28.0
13.230 HOCL	1995.11	2001.09	D0826LOH 6,9ltr	AVI144S3001	24V / 110A	Upgrade
13.230 HOCL	2001.05		D0826LOH 6,9ltr, D0836LOH03 6,9ltr	1277A760	24V / 155A	T1 140A Voltsetting 28.5
14.170 FOC	1988.08	1990.01	D0226MKF/170 5,7ltr	859020	24V / 55A	

BUS & COACH APPLICATION GUIDE 2019

ALTERNATORS



OUTPUT
V/A

NOTES / NOTAS /
ANMERKUNG

MAN						
14.192 FOC	1988.08	1990.01	D0226MKF 5,7ltr	859020	24V / 55A	
14.220 HOCL - NL	1998.07	2001.04	D0826LOH19 6,9ltr, D0826LUH12 6,9ltr, D0836LOH03 6,9ltr	1277A720	24V / 155A	Voltsetting 28.0 T1
14.220 HOCL - NL	2001.05	2001.09	D0826LOH19 6,9ltr, D0826LUH12 6,9ltr, D0836LOH03 6,9ltr	1277A760	24V / 155A	Voltsetting 28.5 T1
14.220 HOCL - NL	2002.01	2002.09	D0836LOH02 6,9ltr	1277A760	24V / 155A	
14.280 HOCL - SR	2003.06		D0836LOH02 6,9ltr	1277A760	24V / 155A	
16.280 HOC, HOCL	1984.02	1987.04	D2566MTHO 11,4ltr	1277A720	24V / 155A	
16.290 HOC	1987.04	1993.03	D2866TOH 12,0ltr	858783	24V / 55A	Transmission ration 1:3.65
16.290 HOC	1987.04	1993.03	D2866TOH 12,0ltr	1277A720	24V / 155A	
16.290 HOCL	1987.04	1993.03	D2866TOH/290 12,0ltr	858783	24V / 55A	
16.290 HOCL	1987.04	1993.03	D2866TOH/290 12,0ltr	1277A720	24V / 155A	
16.290 HOCL	1987.04	1992.05	D2866TOH/290 12,0ltr	860143	24V / 55A	
16.290 HOCL	1988.04	1993.03	D2866TOH/290 12,0ltr	1277A720	24V / 155A	
16.290 HOCL	1992.04	1993.03	D2866TOH/310 12,0ltr	858783	24V / 55A	
16.290 HOCL	1992.04	1993.03	D2866TOH/310 12,0ltr	1277A720	24V / 155A	
16.290 HOCL	1992.04	1992.05	D2866TOH/310 12,0ltr	860143	24V / 55A	
16.360 HOCL	1993.02	1994.04	D2866LOH07 12,0ltr	858783	24V / 55A	
16.360 HOCL	1993.02	1994.04	D2866LOH07 12,0ltr	1277A720	24V / 155A	Special equipment
16.370 HOCL	1994.04	1995.11	D2866LOH07 12,0ltr	858783	24V / 55A	
16.370 HOCL	1994.04	1997.06	D2866LOH07 12,0ltr, D2866LOH22 12,0ltr	1277A720	24V / 155A	Special equipment
18.220 HOCL-NL	1998.07		D0826LOH19 6,9ltr, D0836LOH03 6,9ltr	1277A760	24V / 155A	
18.260 HOCL	1996.09	2001.04	D2866LOH31 12,0ltr	1277A720	24V / 155A	
18.260 HOCL	2001.05		D2866LOH31 12,0ltr, D2866LOH35 12,0ltr	1277A760	24V / 155A	
18.260 HOCL - NL	1998.07		D2866LUH22, D2866LUH23 12,0ltr	1277A760	24V / 155A	
18.280 HOCL - NL	2001.01		D0836LUH02 6,9ltr	1277A760	24V / 155A	
18.310 HOCL	1995.03	1996.09	D2866LOH24 12,0ltr	1277A720	24V / 155A	
18.310 HOCL	2001.01	2001.04	D2866LOH27 12,0ltr	1277A720	24V / 155A	Voltsetting T1 28.0
18.310 HOCL	2001.05		D2866LOH27 12,0ltr	1277A760	24V / 155A	Voltsetting T1 28.5
18.310 HOCL - NL	1996.09	2001.04	D2866LOH25 12,0ltr	1277A720	24V / 155A	Voltsetting T1 28.0
18.310 HOCL - NL	1998.07		D2866LUH24, D2866LUH26 12,0ltr, D2866LOH25 12,0ltr	1277A760	24V / 155A	Voltsetting T1 28.5
18.320 HOCL	1994.02	1994.12	D2865LOH02 10,0ltr	858783	24V / 55A	
18.320 HOCL	1994.02	1995.02	D2865LOH02 10,0ltr	1277A720	24V / 155A	
18.350 HOCL	1996.09	2001.04	D2866LOH26 12,0ltr	1277A720	24V / 155A	Voltsetting T1 28.0
18.350 HOCL	2001.05	2001.09	D2866LOH26 12,0ltr	1277A760	24V / 155A	Voltsetting T1 28.5
18.360 HOCL	2001.01	2001.04	D2866LOH28 12,0ltr	1277A720	24V / 155A	Voltsetting T1 28.0
18.360 HOCL	2001.05		D2866LOH28 12,0ltr	1277A760	24V / 155A	Voltsetting T1 28.5
18.370 HOCL	1993.04	1996.09	D2866LOH07 12,0ltr	858783	24V / 55A	



OUTPUT
V/A

NOTES / NOTAS /
ANMERKUNG

MAN						
18.370 HOCL	1993.04	1996.09	D2866LOH07 12,0ltr	1277A720	24V / 155A	
18.400 HOCL	1996.09	1998.03	D2866LOH24 12,0ltr	1277A720	24V / 155A	Voltsetting T1 28.0
18.400 HOCL	1998.04	2000.12	D2866LOH24 12,0ltr	1277A760	24V / 155A	Voltsetting T1 28.5
18.400 HOCL	2001.01	2001.04	D2866LOH23 12,0ltr	1277A720	24V / 155A	Voltsetting T1 28.0
18.400 HOCL	2001.05	2001.09	D2866LOH23 12,0ltr	1277A760	24V / 155A	Voltsetting T1 28.5
18.410 HOC	2002.09		D2866LOH29 12,0ltr	1277A760	24V / 155A	Voltsetting T1 28.5
18.410 HOCL	1999.01	2001.04	D2876LOH02, D2876LOH05 12,8ltr	1277A720	24V / 155A	Voltsetting T1 28.0
18.410 HOCL	2001.05		D2876LOH02, D2876LOH05 12,8ltr	1277A760	24V / 155A	Voltsetting T1 28.5
18.420 HOCL	1993.04	1996.09	D2866LOH06 12,0ltr	858783	24V / 55A	
18.420 HOCL	1993.04	1996.09	D2866LOH06 12,0ltr	1277A720	24V / 155A	
18.460 HOCL	2001.01	2001.09	D2866LOH02,01 12,0ltr	858783	24V / 55A	
18.460 HOCL	2001.01	2001.04	D2866LOH02,01 12,0ltr, D2876LOH02 11,8ltr	1277A720	24V / 155A	Voltsetting T1 28.0
18.460 HOCL	2001.05	2001.09	D2866LOH02,01 12,0ltr, D2876LOH02 11,8ltr	1277A760	24V / 155A	Voltsetting T1 28.5
22.280 HOCLN	1985.05	1986.12	D2566MTHO 11,4ltr	860558	24V / 80A	
22.280 HOCLN	1985.05	1986.12	D2566MTHO 11,4ltr	1277A720	24V / 155A	
22.280 HOCLN	1985.05	1986.12	D2566MTHO 11,4ltr	860143	24V / 55A	
22.280 HOCLN	1985.05	1986.12	D2566MTHO 11,4ltr	AVI144S3001	24V / 110A	Upgrade
22.330 HOCLN	1985.05	1989.09	D2866MKUL 12,0ltr	858783	24V / 55A	
22.330 HOCLN	1985.05	1989.09	D2866MKUL 12,0ltr	1277A720	24V / 155A	Special equipment
22.330 HOCLN	1985.05	1989.09	D2866MKUL 12,0ltr	860143	24V / 55A	
22.331 HOCLN	1989.09	1990.05	D2866LOH 12,0ltr	858783	24V / 55A	
22.331 HOCLN	1989.09	1990.05	D2866LOH 12,0ltr	1277A720	24V / 155A	Special equipment
22.331 HOCLN	1989.09	1990.05	D2866LOH 12,0ltr	860143	24V / 55A	
22.360 HOCLN	1986.06	1989.09	D2866KOH 12,0ltr	858783	24V / 55A	
22.360 HOCLN	1986.06	1989.09	D2866KOH 12,0ltr	1277A720	24V / 155A	
22.360 HOCLN	1993.02	1993.04	D2866LOH07 12,0ltr	858783	24V / 55A	
22.360 HOCLN	1993.02	1993.04	D2866LOH07 12,0ltr	1277A720	24V / 155A	Special equipment
22.361 HOCLN	1989.09	1992.04	D2866LX04 12ltr	858783	24V / 55A	
22.361 HOCLN	1989.09	1992.04	D2866LX04 12ltr	1277A720	24V / 155A	Special equipment
22.361 HOCLN	1989.09	1992.04	D2866LX04 12ltr	860143	24V / 55A	
22.370 HOCLN	1993.04	1995.11	D2866LOH07 12,0ltr	858783	24V / 55A	
22.370 HOCLN	1993.04	1995.11	D2866LOH07 12,0ltr	1277A720	24V / 155A	Special equipment
22.400 HOCLN	1996.09	2000.12	D2866LOH03 12,0ltr	858783	24V / 55A	
22.400 HOCLN	1996.09	2000.12	D2866LOH03 12,0ltr	1277A720	24V / 155A	Special equipment
22.420 HOCLN	1995.11	2000.12	D2866LOH06 12,0ltr	858783	24V / 55A	
22.420 HOCLN	1995.11	2000.12	D2866LOH06 12,0ltr	1277A720	24V / 155A	
24.310 HOCLNL	1998.07	2001.09	D2866LOH25 12,0ltr	1277A760	24V / 155A	
24.310 HOCLNL	2001.01	2001.04	D2866LOH27 12,0ltr	1277A720	24V / 155A	Voltsetting T1 28.0
24.310 HOCLNL	2001.01	2002.09	D2866LOH27 12,0ltr	1277A760	24V / 155A	Voltsetting T1 28.5
24.350 HOCLN	1998.07	2001.04	D2866LOH26 12,0ltr	1277A720	24V / 155A	Voltsetting T1 28.0

BUS & COACH APPLICATION GUIDE 2019

ALTERNATORS



OUTPUT
V/A

NOTES / NOTAS /
ANMERKUNG

MAN						
24.350 HOCLN	1998.07	2001.09	D2866LOH26 12,0ltr	1277A760	24V / 155A	Voltsetting T1 28.4
24.360 HOCLLN	2002.09		D2866LOH28 12,0ltr	1277A760	24V / 155A	
24.400 HOCLLN	1996.07	2001.09	D2866LOH23 12,0ltr	858783	24V / 55A	
24.400 HOCLN	1996.07	2001.04	D2866LOH24 12,0ltr	1277A720	24V / 155A	Special equipment
24.400 HOCLN	1996.07	2000.12	D2866LOH24 12,0ltr	860143	24V / 55A	N1 B+ M8
24.400 HOCLN	2001.05	2001.09	D2866LOH23 12,0ltr	1277A760	24V / 155A	Voltsetting T1 28.5
24.410 HOCLLN	1999.01	2001.09	D2876LOH05 12,8ltr	858783	24V / 55A	
24.410 HOCLLN	1999.11	2001.09	D2876LOH05 12,8ltr	1277A760	24V / 155A	
24.410 HOCLLN	2002.09		D2866LOH29 12,0ltr	858783	24V / 55A	
24.410 HOCLLN	2002.09		D2866LOH29 12,0ltr	1277A760	24V / 155A	
24.410 HOCLN	1998.07	2001.04	D2876LOH05 12,8ltr	1277A720	24V / 155A	Voltsetting T1 28.0
24.410 HOCLN	2001.05	2001.09	D2876LOH05 12,8ltr	1277A760	24V / 155A	Voltsetting T1 28.5
24.410 HOCLN	2002.09		D2866LOH29 12,0ltr	1277A760	24V / 155A	
24.460 HOCLLN	1999.11		D2876LOH01 12,8ltr	858783	24V / 55A	
24.460 HOCLLN	2001.01		D2876LOH02 12,8ltr	858783	24V / 55A	
24.460 HOCLN, HOCLLN	1999.11	2001.09	D2876LOH01 12,8ltr	1277A720	24V / 155A	V setting 28.0
24.460 HOCLN, HOCLLN	1999.11		D2876LOH01 12,8ltr	1277A760	24V / 155A	V setting 28.5
8.150 FOC	1992.04	1993.1	D0826GF, D0826GF01 6,9ltr	858783	24V / 55A	
8.150 FOC	1992.1	1995.05	D0826GF03 6,9ltr	858783	24V / 55A	
8.170 FOC	1985.09	1990.01	D0226MCFO/170 5,7ltr	859020	24V / 55A	
8.170 FOC	1985.09	1993.1	D0226MCFO/170 5,7ltr	860558	24V / 80A	
8.170 FOC	1985.09	1993.1	D0226MCFO/170 5,7ltr	860143	24V / 55A	
8.170 FOC	1985.09	1993.1	D0226MCFO/170 5,7ltr	AVI144S3001	24V / 110A	Upgrade
8.170 FOC	1992.04	1993.1	D0226MCFO/170 5,7ltr	858783	24V / 55A	
9.150 FOC	1992.04	1993.1	D0826GF, D0826GF01 6,9ltr	858783	24V / 55A	
9.150 FOC	1992.1	1995.05	D0826GF03 6,9ltr	858783	24V / 55A	
9.170 FOC	1985.09	1990.01	D0226MCFO/170 5,7ltr	859020	24V / 55A	
9.170 FOC	1985.09	1992.12	D0226MCFO/170 5,7ltr	860558	24V / 80A	
9.170 FOC	1985.09	1992.12	D0226MCFO/170 5,7ltr	860143	24V / 55A	
9.170 FOC	1985.09	1992.12	D0226MCFO/170 5,7ltr	AVI144S3001	24V / 110A	Upgrade
EL 202, F	1993.01	1997.06	D0826LUH 6,9ltr, D0826LUH03 6,9ltr	1277A720	24V / 155A	
EL 222, F	1995.11	1998.03	D0826LUH12 6,9ltr	1277A720	24V / 155A	Voltsetting T1 28.0
EL 222, F	1998.04	2001.09	D0826LUH12 6,9ltr	1277A760	24V / 155A	Voltsetting T1 28.5
EL 262, F	1996.02	1998.03	D0826LUH13 6,9ltr	1277A720	24V / 155A	Voltsetting T1 28.0
EL 262, F	1998.04	2001.09	D2866LUH22 12,0ltr, D0826LUH13 6,9ltr	1277A760	24V / 155A	
EM 220	1999.11		D0836LOH03 6,9ltr	1277A760	24V / 155A	Voltsetting T1 28.5
EM EM 223	8.87		10t, 6871cc (162kW / 220hp)	860713GB	24V / 100A	
HOCL 12.220 HOCL/R-NL	1999.04	2009.05	12t, 6871cc (162kW / 220hp)	860713GB	24V / 100A	
HOCL 14.220 HOCL/R-NL	1998.01		14t, 6871cc (162kW / 220hp)	860713GB	24V / 100A	
HOCL 18.220 HOCL/R-NL, HOCL/SKD(SL)	1993.08	2001.05	18t, 6871cc (162kW / 220hp)	860713GB	24V / 100A	
HOCL 18.310 HOCL/R	1992.01		18t, 11967cc (228kW / 310hp)	860713GB	24V / 100A	



OUTPUT
V/A

NOTES / NOTAS /
ANMERKUNG

MAN						
LC LC 19.280			6.9ltr (206kW / 280hp)	860808GB	24V / 110A	
LC LC 19.280			18.2t, 6871cc (206kW / 280hp)	860713GB	24V / 100A	
LION S CITY A 20	1998.07		6.9ltr (191kW / 260hp)	860808GB	24V / 110A	
LION S CITY A 20	1998.07		18t, 6871cc (191kW / 260hp)	860713GB	24V / 100A	
LION S CITY A 21	1996.06		18t, 6871cc (184kW / 250hp)	860713GB	24V / 100A	
LION S CITY A 21			6.9ltr (184kW / 250hp)	860808GB	24V / 110A	
LION S CITY A 23	1996.08		28t, 11967cc (191kW / 260hp)	860713GB	24V / 100A	
LION S CITY A 23			12.0ltr (191kW / 260hp)	860808GB	24V / 110A	
LION S CITY A 26	1998.02		12.0ltr (257kW / 350hp)	860808GB	24V / 110A	
LION S CITY A 26	1998.02		24.1t, 11967cc (257kW / 350hp)	860713GB	24V / 100A	
LION S CITY A 26	2004.05	2009.10	24.1t, 11967cc (265kW / 36hp)	860713GB	24V / 100A	
LION S CITY A 26			12.0ltr (265kW / 360hp)	860808GB	24V / 110A	
LION S CITY A 37			6.9ltr (206kW / 280hp)	860808GB	24V / 110A	
LION S CITY A 39			12.0ltr (228kW / 310hp)	860808GB	24V / 110A	
LION S COACH RH 463, RHC 464	2000		12.8ltr (338kW / 460hp)	860808GB	24V / 110A	
LION S COACH RH 463, RHC 464	2000.01		24.9t, 12816cc (338kW / 460hp)	860713GB	24V / 100A	
LION S COACH RHC 414	2002.06		12.0ltr (301kW / 410hp)	860808GB	24V / 110A	
LION S COACH RHC 414	2002.06		18t, 11967cc (301kW / 410hp)	860713GB	24V / 100A	
LION S STAR RH 414, RHS 414	2000		12.0ltr (301kW / 410hp)	860808GB	24V / 110A	
LION S STAR RH 414, RHS 414	2000.03		18t, 11967cc (301kW / 410hp)	860713GB	24V / 100A	
LION S STAR RH 414, RHS 414	2002.01		12.8ltr (338kW / 460hp)	860808GB	24V / 110A	
LION S STAR RH 414, RHS 414	2002.01		24.9t, 12816cc (338kW / 460hp)	860713GB	24V / 100A	
LION S STAR RH 464, RHS 464	2000		12.8ltr (338kW / 460hp)	860808GB	24V / 110A	
LION S STAR RH 464, RHS 464	2000.03		18t, 12816cc (338kW / 460hp)	860713GB	24V / 100A	
LION S STAR RH 464, RHS 464	2002.01		12.0ltr (301kW / 410hp)	860808GB	24V / 110A	
LION S STAR RH 464, RHS 464	2002.01		24.9t, 11967cc (301kW / 410hp)	860713GB	24V / 100A	
Lion's City, CityÜ	2004.06		D0836LUH41 6.9ltr	1277A760	24V / 155A	T1
MAN EL EL 202,EL 262	04.94	06.97	Engine: 6871cc, 184kW / 250hp	1277A690	24V / 155A	
MAN EM EM 192	10.93	06.97	Engine: 6871cc, 140kW / 190hp	1277A690	24V / 155A	
MAN HOCL 10.150 HOCL	08.87	04.04	Engine: 6871cc, 110kW / 150hp	1277A690	24V / 155A	
MAN HOCL 10.190 HOCL	08.87	04.04	Engine: 6596cc, 132kW / 180hp	1277A690	24V / 155A	
MAN HOCL 11.150 HOCL	08.87	04.04	Engine: 6871cc, 110kW / 150hp	1277A690	24V / 155A	
MAN HOCL 11.190 HOCL	08.87	04.04	Engine: 6596cc, 132kW / 180hp	1277A690	24V / 155A	
MAN HOCL 16.240 HOC, HOCL/R	01.79	08.96	Engine: 11967cc, 177kW / 241hp	1277A690	24V / 155A	

BUS & COACH APPLICATION GUIDE 2019

ALTERNATORS



OUTPUT
V/A

NOTES / NOTAS /
ANMERKUNG

MAN						
MAN HOCL 16.290 HOC, HOCL/R	04.81	09.96	Engine: 11967cc, 213kW / 290hp	1277A690	24V / 155A	
MAN NL NL 202, NL 262, NL 263	04.91		Engine: 6871cc, 184kW / 250hp	1277A690	24V / 155A	
MAN NM NM 152	05.90	10.93	Engine: 6871cc, 110kW / 150hp	1277A690	24V / 155A	
MAN NM NM 182, NM 192	05.90	03.97	Engine: 6871cc, 130kW / 177hp	1277A690	24V / 155A	
MAN R FRH 362	05.85	12.92	Engine: 11967cc, 265kW / 360hp	1277A690	24V / 155A	
MAN R R 292, FR 292, FRH 292	05.85	01.93	Engine: 11967cc, 213kW / 290hp	1277A690	24V / 155A	
MAN SD SD 200	10.75	11.86	Engine: 11413cc, 141kW / 192hp	1277A690	24V / 155A	
MAN SD SD 202	10.85	04.94	Engine: 11413cc, 155kW / 211hp	1277A690	24V / 155A	
MAN SG SG 220	05.80	01.85	Engine: 11413cc, 147kW / 200hp	1277A690	24V / 155A	
MAN SG SG 220,SG 240 HÜ,SG 242 H	05.80	01.86	Engine: 11413cc, 177kW / 241hp	1277A690	24V / 155A	
MAN SG SG 240 H,SG 242,SG 242 H	09.85	04.94	Engine: 11967cc, 177kW / 241hp	1277A690	24V / 155A	
MAN SG SG 240 H,SG 292 H	11.84	09.89	Engine: 11967cc, 213kW / 290hp	1277A690	24V / 155A	
MAN SG SG 240 HÜ	09.81	01.86	Engine: 11413cc, 206kW / 280hp	1277A690	24V / 155A	
MAN SG SG 242,SG 292	09.85	04.94	Engine: 11967cc, 224kW / 305hp	1277A690	24V / 155A	
MAN SL II SL 202	06.84	04.94	Engine: 11967cc, 177kW / 241hp	1277A690	24V / 155A	
MAN SL II SL 202	06.84	04.93	Engine: 11413 Buscc, 147kW / 200hp	1277A690	24V / 155A	
MAN SL SL 200	01.86	04.87	Engine: 11967 Buscc, 177kW / 241hp	1277A690	24V / 155A	
MAN SL SL 200	05.80	04.87	Engine: 11413 Buscc, 147kW / 200hp	1277A690	24V / 155A	
MAN SL SL 200	05.80	01.86	Engine: 11413 Buscc, 177kW / 241hp	1277A690	24V / 155A	
MAN SM SM 152	11.87	04.94	Engine: 6871 Buscc, 110kW / 150hp	1277A690	24V / 155A	
MAN SR SR 280,SR 280 H	01.77	11.86	Engine: 11413 Buscc, 206kW / 280hp	1277A690	24V / 155A	
MAN SR SR 321 H	03.82	11.86	Engine: 11413 Buscc, 235kW / 320hp	1277A690	24V / 155A	
MAN SÜ SÜ 240	01.86	09.89	Engine: 11967 Buscc, 177kW / 241hp	1277A690	24V / 155A	
MAN SÜ SÜ 240	01.86	09.89	Engine: 11967 Buscc, 213kW / 290hp	1277A690	24V / 155A	
MAN SÜ SÜ 240	05.80	09.89	Engine: 11413 Buscc, 147kW / 200hp	1277A690	24V / 155A	
MAN SÜ SÜ 242	01.87	04.93	Engine: 11967 Buscc, 177kW / 240hp	1277A690	24V / 155A	
MAN ÜL ÜL 242	09.89	03.93	Engine: 11967 Buscc, 177kW / 241hp	1277A690	24V / 155A	
MAN ÜL ÜL 272	03.93		Engine: 9973 Buscc, 198kW / 270hp	1277A690	24V / 155A	
MAN ÜL ÜL 292	09.89	03.93	Engine: 11967 Buscc, 213kW / 290hp	1277A690	24V / 155A	
ND 222 F	1997.06	1998.03	D0826LUH12 6,9ltr	1277A720	24V / 155A	Voltsetting 28.0 T1



OUTPUT
V/A

NOTES / NOTAS /
ANMERKUNG

MAN						
ND 222 F	1998.04	2001.09	D0826LUH12 6,9ltr	1277A760	24V / 155A	Voltsetting 28.5 T1
NG 232	1994.04	1998.03	E2866DUH01 12,0ltr	1277A720	24V / 155A	Voltsetting 28.0 T1
NG 232	1998.04	1999.11	E2866DUH01 12,0ltr	1277A760	24V / 155A	Voltsetting 28.5 T1
NG 262	1997.06	1999.11	D0826LUH13 6,9ltr, D2865LUH09 10,0ltr, D2866LUH22 12,0ltr	1277A720	24V / 155A	
NG 263	1998.07	2004.12	D2866LUH22, D2866LUH23 12,0ltr	1277A760	24V / 155A	
NG 263 F	1998.07	2001.04	D2866LUH22, D2866LUH23 12,0ltr	1277A720	24V / 155A	Voltsetting 28.0 T1
NG 263 F, Lion's City G	2001.05		D2866LUH22, D2866LUH23 12,0ltr	1277A760	24V / 155A	Voltsetting 28.5 T1
NG 272	1990.06.	1995.09	D0826LUH 6,9ltr, D0826LUH01 6,9ltr	1277A720	24V / 155A	
NG 312	1995.09	1999.11	D2865LUH07 10,0ltr, D2866LUH26 12,0ltr	1277A720	24V / 155A	
NG 313	1998.07		D2866LUH24, D2866LUH26 12,0ltr, E2866LUH01 12,0ltr, E2866LUH02 12,0ltr	1277A760	24V / 155A	
NG 313 F	1998.07	2001.04	D2866LUH24, D2866LUH26 12,0ltr, E2866LUH01 12,0ltr	1277A720	24V / 155A	Voltsetting 28.0 T1
NG 313 F	2001.05		D2866LUH24, D2866LUH26 12,0ltr	1277A760	24V / 155A	Voltsetting 28.5 T1
NG 313 F	2001.05	2001.12	E2866LUH01 12,0ltr, E2866LUH02 12,0ltr	1277A760	24V / 155A	Voltsetting 28.5 T1
NG 313 Lion's City G	2001.01		D2866LUH24 12,0ltr	1277A760	24V / 155A	T1
NG 333	2001.01		D2866LUH25 12,0ltr	1277A760	24V / 155A	
NG 353	2001.01	2001.12	D2866LUH21 12,0ltr	1277A760	24V / 155A	
NG 363 Lion's City G	2001.01		D2866LUH25 12,0ltr	1277A760	24V / 155A	T1
NG 363, F	2001.01	2001.04	D2866LUH25 12,0ltr	1277A720	24V / 155A	Voltsetting 28.0 T1
NG 363, F	2001.05		D2866LUH25 12,0ltr	1277A760	24V / 155A	Voltsetting 28.5 T1
NG NG 262, NG 263	1998.07		12.0ltr (191kW / 260hp)	860808GB	24V / 110A	
NG NG 262, NG 263	1998.07		28t, 11967cc (191kW / 260hp)	860713GB	24V / 100A	
NG NG 312, NG 313	1998.07		12.0ltr (228kW / 310hp)	860808GB	24V / 110A	
NG NG 312, NG 313	1998.07		28t, 11967cc (228kW / 310hp)	860713GB	24V / 100A	
NG NG 313			12.8ltr (228kW / 310hp)	860808GB	24V / 110A	
NG NG 363			10.5ltr (264kW / 360hp)	860808GB	24V / 110A	
NL 202	1989.09	1997.03	D0826LUH/213, D0826LUH03 6,9ltr	1277A720	24V / 155A	
NL 222, F	1995.11	1998.03	D0826LUH12 6,9ltr	1277A720	24V / 155A	Voltsetting 28.0 T1
NL 222, F	1998.04	2001.09	D0826LUH12 6,9ltr	1277A760	24V / 155A	Voltsetting 28.5 T1
NL 223	1998.07	2001.04	D0826LUH12 6,9ltr, D0836LUH02 6,9ltr	1277A720	24V / 155A	Voltsetting 28.0 T1
NL 223	2001.05		D0826LUH12 6,9ltr, D0836LUH02 6,9ltr	1277A760	24V / 155A	Voltsetting 28.5 T1
NL 223 F	2001.05		D0836LUH02 6,9ltr, D0826LUH12 6,9ltr	1277A760	24V / 155A	Voltsetting 28.5 T1

BUS & COACH APPLICATION GUIDE 2019

ALTERNATORS



OUTPUT
V/A

NOTES / NOTAS /
ANMERKUNG

MAN						
NL 223 F	1996.02.	2001.04	D0836LUH02 6,9ltr, D0826LUH12 6,9ltr	1277A720	24V / 155A	Voltsetting 28.0 T1
NL 232, F	1994.04	1998.03	E2866DUH 12,0ltr	1277A720	24V / 155A	Voltsetting 28.0 T1
NL 232, F	1998.04	2000.06	E2866DUH01 12,0ltr	1277A760	24V / 155A	Voltsetting 28.5 T1
NL 233, F	1998.07	2001.04	E2866DUH02 12,0ltr	1277A720	24V / 155A	Voltsetting 28.0 T1
NL 233, F	2001.05		E2866DUH02 12,0ltr	1277A760	24V / 155A	Voltsetting 28.5 T1
NL 243 F EEV LPG	2002.06		G2866DUH05 12,0ltr 177kW	1277A760	24V / 155A	
NL 243, F	2002.01		E2866DUH03 12,0ltr	1277A760	24V / 155A	
NL 262	1996.02	1998.03	D0826LUH13 6,9ltr, D2865LUH09 10,0ltr	1277A720	24V / 155A	Voltsetting 28.0 T1
NL 262	1998.04	1999.11	D0826LUH13 6,9ltr, D2865LUH09 10,0ltr, D2866LUH22 12,0ltr	1277A760	24V / 155A	Voltsetting 28.5 T1
NL 262 F	1996.02	2001.09	D0826LUH13 6,9ltr	1277A720	24V / 155A	
NL 263	1998.07	2001.04	D0826LUH13 6,9ltr, D2866LUH22, D2866LUH23 12,0ltr	1277A720	24V / 155A	Voltsetting 28.0 T1
NL 263	1998.08		D2866LUH22, D2866LUH23 12,0ltr, D0826LUH13 6,9ltr	1277A760	24V / 155A	Voltsetting 28.5 T1
NL 263 F	1998.07	2001.04	D0826LUH13 6,9ltr, D2866LUH22, D2866LUH23 12,0ltr	1277A720	24V / 155A	Voltsetting 28.0 T1
NL 263 F	2001.05	2002.09	D0826LUH13 6,9ltr, D2866LUH22, D2866LUH23 12,0ltr	1277A760	24V / 155A	Voltsetting 28.5 T1
NL 263 Lion's City LL	2001.01	2001.04	D2866LUH23 12,0ltr	1277A720	24V / 155A	T1
NL 263 Lion's City, City LL	2001.05	2002.09	D2866LUH23 12,0ltr	1277A760	24V / 155A	T1
NL 283, F, NL	2001.01	2001.04	D0836LUH01 6,9ltr, D0836LUH01 6,9ltr	1277A720	24V / 155A	Voltsetting 28.0 T1
NL 283, F, NL	2001.05		D0836LUH01 6,9ltr	1277A760	24V / 155A	Voltsetting 28.5 T1
NL 312, F	1995.11	2001.09	D2865LUH07 10,0ltr	1277A720	24V / 155A	
NL 313	1998.07	2001.04	D2866LUH24, D2866LUH26 12,0ltr, E2866LUH01 12,0ltr	1277A720	24V / 155A	Voltsetting 28.0 T1
NL 313	1998.08		D2866LUH24, D2866LUH26 12,0ltr, E2866LUH01 12,0ltr	1277A760	24V / 155A	Voltsetting 28.5 T1
NL 313 F	1998.07	2001.04	D2866LUH24, D2866LUH26 12,0ltr, E2866LUH01 12,0ltr	1277A720	24V / 155A	Voltsetting 28.0 T1
NL 313 F	2001.05		D2866LUH24, D2866LUH26 E2866LUH01/02 12,0ltr	1277A760	24V / 155A	Voltsetting 28.5 T1
NL 313 Lion's City LL	2004.05		E2876LUH01 12,8ltr	1277A760	24V / 155A	T1 Vset 28.5
NL 313 Lion's City, City LL	2001.01	2001.04	D2866LUH24, LUH25 12,0ltr	1277A720	24V / 155A	T1 Vset 28.0
NL 353 F	1999.11	2001.04	D2866LUH21 12,0ltr	1277A720	24V / 155A	Voltsetting 28.0 T1
NL 353, F	1998.08	2001.12	D2866LUH21 12,0ltr	1277A760	24V / 155A	
NL 363 F	2001.01	2001.04	D2866LUH25 12,0ltr	1277A720	24V / 155A	Voltsetting 28.0 T1
NL 363, F	2001.01		D2866LUH25 12,0ltr	1277A760	24V / 155A	
NL NL 202, NL 222, NL 223	1992.08		18t, 6871cc (157kW / 214hp)	860713GB	24V / 100A	
NL NL 202, NL 262, NL 263	1991.04		18t, 6871cc (184kW / 250hp)	860713GB	24V / 100A	
NL NL 243	2007.05	2014.12	18t, 11967cc (180kW / 245hp)	860713GB	24V / 100A	



OUTPUT
V/A

NOTES / NOTAS /
ANMERKUNG

MAN						
NL NL 243			12.0ltr (180kW / 245hp)	860808GB	24V / 110A	
NL NL 262, NL 263	1998.07		12.0ltr (191kW / 260hp)	860808GB	24V / 110A	
NL NL 262, NL 263	1998.07		18t, 11967cc (191kW / 260hp)	860713GB	24V / 100A	
NL NL 313	1998.07		12.0ltr (228kW / 310hp)	860808GB	24V / 110A	
NL NL 313	1998.07		18t, 11967cc (228kW / 310hp)	860713GB	24V / 100A	
NL NL 313			12.8ltr (228kW / 310hp)	860808GB	24V / 110A	
NM 152	1990.05	1996.05	D0824LOH01 4,6ltr, D0826OH02 6,9ltr	1277A720	24V / 155A	
NM 152	1991.08	1996.05	D0824LOH01 4,6ltr	1277A760	24V / 155A	Mounted at top
NM 152	1990.05.	1993.1	D0826OH02 6,9ltr	1277A760	24V / 155A	
NM 182	1990.05	1993.1	D0826TOH01 6,9ltr	1277A720	24V / 155A	
NM 192	1993.1	1997.03	D0826LOH01 6,9ltr	858783	24V / 55A	
NM 192	1993.1	1997.03	D0826LOH01 6,9ltr	860167	24V / 35A	
NM 192	1993.1	1997.03	D0826LOH01 6,9ltr	860558	24V / 80A	
NM 192	1993.1	1997.03	D0826LOH01 6,9ltr	1277A720	24V / 155A	Voltsetting 28.0 T1
NM 192	1993.1	1997.03	D0826LOH01 6,9ltr	1277A760	24V / 155A	Voltsetting 28.5 T1
NM 192	1993.1	1997.03	D0826LOH01 6,9ltr	AVI144S3001	24V / 110A	Upgrade
NM 222 F	1997.06	1998.03	D0826LUH12 6,9ltr	1277A720	24V / 155A	Voltsetting 28.0 T1
NM 222 F	1998.04	2001.09	D0826LUH12 6,9ltr	1277A760	24V / 155A	Voltsetting 28.5 T1
NM 223 F	2000.01		D0836LOH03 6,9ltr 162kW	1277A760	24V / 155A	
NM 283 F	2001.1		D0836LOH02 6,9ltr 206kW	1277A760	24V / 155A	
NÜ 233	1998.07	2001.04	E2866DUH02 12,0ltr	1277A720	24V / 155A	Voltsetting 28.0 T1
NÜ 233	2001.05		E2866DUH02 12,0ltr	1277A760	24V / 155A	Voltsetting 28.5 T1
NÜ 243	2002.01		E2866DUH03 12,0ltr	1277A760	24V / 155A	
NÜ 263	1996.09	2001.04	D2865LUH09 10,0ltr, D0826LUH13 6,9ltr, D2866LUH22, D2866LUH23 12,0ltr	1277A720	24V / 155A	
NÜ 263	2001.05		D0826LUH13 6,9ltr, D2866LUH22, D2866LUH23 12,0ltr	1277A760	24V / 155A	Voltsetting 28.5 T1
NÜ 263 Lion's City Ü	2001.01	2001.04	D2866LUH23 12,0ltr	1277A730	24V / 155A	T1 Vsetting 28.0
NÜ 263 Lion's City Ü	2001.05		D2866LUH23 12,0ltr	1277A760	24V / 155A	T1 Vsetting 28.5
NÜ 283	2001.01	2001.04	D0836LUH01 12,0ltr	1277A720	24V / 155A	Voltsetting 28.0 T1
NÜ 283	2001.05		D0836LUH01 12,0ltr	1277A760	24V / 155A	Voltsetting 28.5 T1
NÜ 313	1998.02	2001.04	D2866LUH24, D2866LUH26 12,0ltr, E2866LUH01 12,0ltr	1277A720	24V / 155A	
NÜ 313	2001.05		E2866LUH01 12,0ltr, E2866LUH02 12,0ltr, E2876DUH01 12.8ltr 228kW	1277A760	24V / 155A	Voltsetting 28.5 T1
NÜ 313 Lion's City ÜLL	1998.02	2001.04	D2866LUH24 12,0ltr	1277A720	24V / 155A	T1 Vset 28.0
NÜ 313 Lion's City ÜLL	2001.05		D2866LUH24 12,0ltr	1277A760	24V / 155A	T1 Vset 28.5
NÜ 353	1998.02	2001.04	D2866LUH21 12,0ltr	1277A720	24V / 155A	Voltsetting 28.0 T1
NÜ 353	2001.05	2001.12	D2866LUH21 12,0ltr	1277A760	24V / 155A	Voltsetting 28.5 T1
NÜ 363	2001.01	2001.04	D2866LUH25 12,0ltr	1277A720	24V / 155A	Voltsetting 28.0 T1

BUS & COACH APPLICATION GUIDE 2019

ALTERNATORS



OUTPUT
V/A

NOTES / NOTAS /
ANMERKUNG

MAN						
NÜ 363	2001.05		D2866LUH25 12,0ltr	1277A760	24V / 155A	Voltsetting 28.5 T1
NÜ NÜ 263	1996.09	1998.07	18t, 9973cc (191kW / 260hp)	860713GB	24V / 100A	
NÜ NÜ 263	1998.07		12.0ltr (191kW / 260hp)	860808GB	24V / 110A	
NÜ NÜ 263	1998.07		18t, 11967cc (191kW / 260hp)	860713GB	24V / 100A	
NÜ NÜ 263	1998.07		18t, 6871cc (191kW / 260hp)	860713GB	24V / 100A	
NÜ NÜ 313	1998.07		12.0ltr (228kW / 310hp)	860808GB	24V / 110A	
NÜ NÜ 313	1998.07		18t, 11967cc (228kW / 310hp)	860713GB	24V / 100A	
NÜ NÜ 313 15M	1998.07		24.5t, 11967cc (228kW / 310hp)	860713GB	24V / 100A	
NÜ NÜ 353 15M	1998.07		24.5t, 11967cc (257kW / 350hp)	860713GB	24V / 100A	
R 292	1986.03	1992.04	D2866TUH/290 12,0ltr	858783	24V / 55A	
R 292	1986.03	1993.01	D2866TUH/290 12,0ltr, D2866TOH/310 12,0ltr	1277A720	24V / 155A	
R 292	1986.03	1992.04	D2866TUH/290 12,0ltr	860143	24V / 55A	
R 292	1992.04	1993.01	D2866TOH/310 12,0ltr	858783	24V / 55A	
R 292	1992.04	1992.05	D2866TOH/310 12,0ltr	860143	24V / 55A	
R 292	1998.04	2001.12	D2866LUH 12,0ltr	1277A760	24V / 155A	
RH 352, Lion's Coach	1998.07.	2001.09	D2866LOH26 12,0ltr	1277A760	24V / 155A	
RH 352, Lion's Coach	1998.07.	2001.09	D2866LOH26 12,0ltr	1277A760	24V / 155A	
RH 352, Lion's Star	1998.07	2001.04	D2866LOH26 12,0ltr	1277A720	24V / 155A	Voltsetting 28.0 T1
RH 352, Lion's Star	2001.05	2001.09	D2866LOH26 12,0ltr	1277A760	24V / 155A	Voltsetting 28.5 T1
RH 402, Lion's Coach	1998.07	2001.09	D2866LOH26 12,0ltr	1277A760	24V / 155A	Voltsetting 28.0 T1
RH 402, Lion's Coach	1998.07	2001.09	D2866LOH26 12,0ltr	1277A700	24V / 155A	Voltsetting 28.5 T1
RH 402, Lion's Star	1998.07	2001.04	D2866LOH26 12,0ltr	1277A720	24V / 155A	Voltsetting 28.0 T1
RH 403, F, Lion's Top Coach	1999.06	2001.04	D2866LOH26 12,0ltr	1277A720	24V / 155A	Voltsetting 28.0 T1
RH 403, F, Lion's Top Coach	2001.05	2001.09	D2866LOH26 12,0ltr	1277A760	24V / 155A	Voltsetting 28.5 T1
RH 414, Lion's Star	2000.03	>>		860808GB	24V / 110A	
RH 463, Lion's Coach	2000.01	>>		860808GB	24V / 110A	
RH 463, Lion's Star, Lion's Top Coach	1999.06	2001.04	D2876LOH01 12,8ltr	1277A720	24V / 155A	Voltsetting 28.0 T1
RH 463, Lion's Star, Lion's Top Coach	2001.05	2001.09	D2876LOH01 12,8ltr	1277A760	24V / 155A	Voltsetting 28.5 T1
RH 464, Lion's Star	2000.03	>>		860808GB	24V / 110A	
RH 464, Lion's Star	2000.03	>>		860812	24V / 120A	
RHC 414, Lion's Coach	2002.06	>>		860812	24V / 120A	
RHC 414, Lion's Star	2000.03	>>		860808GB	24V / 110A	
RHC 464, Lion's Coach	2002.09		D2867LOH03 12,0ltr, D2876LOH03 12,0ltr	1277A760	24V / 155A	
RHS 414, Lion's Star, Lion's Top Star	2001.1		D2866LOH34 12,0ltr	1277A760	24V / 155A	T1
RHS 464, Lion's Star	2000.03	>>		860808GB	24V / 110A	
RHS 464, Lion's Star	2000.03	>>		860812	24V / 120A	
RHS 464, Lion's Star, Lion's Top Star	2001.1		D2867LOH03 12,0ltr, D2876LOH03 12,0ltr	1277A760	24V / 155A	T1



OUTPUT
V/A

NOTES / NOTAS /
ANMERKUNG

MAN						
RN 313	1996.06	1998.03	D2866LUH20 12,0ltr	1277A720	24V / 155A	
RN 353	1997.06	1998.03	D2866LUH21 12,0ltr	1277A720	24V / 155A	
RÜ 240	1980.01	1988.12	D2866UH/240 12,0ltr	1277A720	24V / 155A	
RÜ 280	1980.01	1988.12	D2566MTUH/280 11,4ltr	1277A720	24V / 155A	
SD 200	1980.07	1986.11	D2566MUH/200 11,4ltr	1277A720	24V / 155A	
SD 202 F	1987.01	1991.04	D2566UH/205 11,4ltr	1277A720	24V / 155A	
SG 220	1980.07	1985.01	D2566MUM/200, D2566MUM/240 11,4ltr	1277A720	24V / 155A	
SG 240 H	1986.01	1986.12	D2866TUH/290 12,0ltr	858783	24V / 55A	
SG 240 H	1986.01	1986.12	D2866TUH/240 12,0ltr, D2866TUH/290 12,0ltr	1277A720	24V / 155A	
SG 240 H	1986.01	1986.12	D2866TUH/290 12,0ltr	860143	24V / 55A	
SG 240 H, HÜ	1980.07	1986.01	D2566MTUH/280 11,4ltr, D2566MUH/240 11,4ltr	1277A720	24V / 155A	
SG 242	1985.09	1994.04	D2866TUH/290 12,0ltr	858783	24V / 55A	
SG 242	1985.09	1994.04	D2866TUH/290 12,0ltr	1277A720	24V / 155A	
SG 242	1985.09	1994.04	D2866TUH/290 12,0ltr	860143	24V / 55A	
SG 242, F, H	1984.11	1994.04	D2866TUH/290 12,0ltr, D2566MUH/240 11,4ltr	1277A720	24V / 155A	
SG 263, F	2003.06		D2866LUH23 12,0ltr	1277A760	24V / 155A	
SG 292	1992.04	1993.04	D2866TOH/310 12,0ltr	858783	24V / 55A	
SG 292	1992.04	1993.04	D2866TOH/310 12,0ltr	1277A720	24V / 155A	
SG 292	1992.04	1992.05	D2866TOH/310 12,0ltr	860143	24V / 55A	
SG 292 H	1984.11	1989.09	D2866TUH/290 12,0ltr	858783	24V / 55A	
SG 292 H	1984.11	1989.09	D2866TUH/290 12,0ltr	1277A720	24V / 155A	
SG 292 H	1984.11	1989.09	D2866TUH/290 12,0ltr	860143	24V / 55A	
SG 312	1996.02	1997.06	D2865LUH07 10,0ltr	1277A720	24V / 155A	
SG 313, F	2003.06		D2866LUH24 12,0ltr	1277A760	24V / 155A	
SG 322, F	1994.04	1997.06	D2865LUH08 10,0ltr	1277A720	24V / 155A	
SL 200, F	1980.07	1987.04	D2566MUH/200 11,4ltr, D2566UH/205 11,4ltr, D2866UH/240 12,0ltr, D2566MUH/240 11,4ltr	1277A720	24V / 155A	
SL 223	2003.06		D0836LOH03 6,9ltr	1277A760	24V / 155A	
SL 283	2003.06		D0836LOH02 6,9ltr	1277A760	24V / 155A	
SL II SL 283			12t, 6871cc (206kW / 280hp)	860713GB	24V / 100A	
SL II, 202	1984.06	1994.04	D2566UH 11,4ltr, D2866UH/240 12,0ltr, E2866DUH01 12,0ltr	1277A720	24V / 155A	
SM 152 MIDI	1987.11	1994.04	D0826OH02 6,9ltr	860558	24V / 80A	
SM 152 MIDI	1987.11	1994.04	D0826OH02 6,9ltr	1277A720	24V / 155A	
SM 152 MIDI	1987.11	1994.04	D0826OH02 6,9ltr	AVI144S3001	24V / 110A	Upgrade
SM 182 MIDI	1987.11	1992.04	D0826TOH01 6,9ltr	1277A720	24V / 155A	
SM 192 MIDI	1992.04	1995.02	D0826LOH01 6,9ltr	858783	24V / 55A	N1 55A
SM 192 MIDI	1992.04	1995.02	D0826LOH01 6,9ltr	860167	24V / 35A	K1 35A
SM 192 MIDI	1992.04	1995.02	D0826LOH01 6,9ltr	860558	24V / 80A	N1 80A

BUS & COACH APPLICATION GUIDE 2019

ALTERNATORS



OUTPUT
V/A

NOTES / NOTAS /
ANMERKUNG

MAN						
SM 192 MIDI	1992.04	1995.02	D0826LOH01 6,9ltr	1277A720	24V / 155A	T1 140A Voltsetting 28.0
SM 192 MIDI	1992.04	1995.02	D0826LOH01 6,9ltr	1277A760	24V / 155A	T1 140A Voltsetting 28.5
SM 192 MIDI	1992.04	1995.02	D0826LOH01 6,9ltr	AVI144S3001	24V / 110A	Upgrade
SR 240	1980.05	1983.06	D2566MUH/240 11,4ltr	1277A720	24V / 155A	
SR 280	1980.05	1983.06	D2566MTUH/280 11,4ltr	1277A720	24V / 155A	
SR 280 H	1980.05	1986.11	D2566MTUH/280 11,4ltr	1277A720	24V / 155A	
SR 292 H	1985.05	1985.12	D2866TUH/290 12,0ltr	858783	24V / 55A	
SR 292 H	1985.05	1985.12	D2866TUH/290 12,0ltr	1277A720	24V / 155A	
SR 292 H	1985.05	1985.12	D2866TUH/290 12,0ltr	860143	24V / 55A	
SR 321 H	1982.03	1986.11	D2566MKUH/320 11,4ltr	1277A720	24V / 155A	
SR 361 H	1984.06	1986.11	D2866KUH/360 12,0ltr	858783	24V / 55A	
SR 361 H	1984.06	1986.11	D2866KUH/360 12,0ltr	1277A720	24V / 155A	
SR 362 H	1985.09	1985.12	D2866KUH/360 12,0ltr	858783	24V / 55A	
SÜ 223	1999.11	2001.09	D0826LOH19 6,9ltr	1277A760	24V / 155A	
SÜ 240	1986.01	1989.09	D2866TUH/290 12,0ltr	858783	24V / 55A	
SÜ 240	1986.01	1989.09	D2866TUH/290 12,0ltr	860143	24V / 55A	
SÜ 240, F	1980.06	1989.09	D2566UH/205 11,4ltr, D2866UH/240 12,0ltr, D2566MUH/200 11,4ltr, D2566MUH/240 11,4ltr, D2866TUH/290 12,0ltr, D2866TUH/290 12,0ltr, Volvo engine	1277A720	24V / 155A	
SÜ 242	1987.01	1993.04	D2866UH/240 12,0ltr	1277A720	24V / 155A	
SÜ 263	1999.11	2001.09	D0826LOH18 6,9ltr	1277A760	24V / 155A	
SÜ 263	2003.09	>>		860808GB	24V / 110A	
SÜ 272	1993.04	1995.05	D2865LUH02 10,0ltr	1277A720	24V / 155A	
SÜ 283	2000		D0836LOH02 6,9ltr 206kW	1277A760	24V / 155A	
SÜ 292	1992.04	1993.04	D2866TOH/310 12,0ltr	858783	24V / 55A	
SÜ 292	1992.04	1993.04	D2866TOH/310 12,0ltr	1277A720	24V / 155A	
SÜ 292	1992.04	1992.05	D2866TOH/310 12,0ltr	860143	24V / 55A	
SÜ 313	2003.09	>>		860808GB	24V / 110A	
SÜ 313, F	1999.11		D2866LUH26 12,0ltr, D2866LUH24 12,0ltr	1277A760	24V / 155A	
SÜ 322	1995.05	1997.06	D2865LUH08 10,0ltr	1277A720	24V / 155A	
SÜ 383 F	2004.06		D2866LUH25 12,0ltr	1277A760	24V / 155A	T1
SÜ SÜ 263	2003.09		12,0ltr (265kW / 360hp)	860808GB	24V / 110A	
SÜ SÜ 283	2003.09		18t, 6871cc (206kW / 280hp)	860713GB	24V / 100A	
SÜ SÜ 313	2003.09		12,0ltr (228kW / 310hp)	860808GB	24V / 110A	
SÜ SÜ 313	2003.09		18t, 11967cc (228kW / 310hp)	860713GB	24V / 100A	
ÜL 242	1989.09	1993.03	D2866UH/240 12,0ltr	1277A720	24V / 155A	
ÜL 272	1993.03	1995.09	D2865LUH02 10,0ltr, D2865LUH05 10,0ltr	1277A720	24V / 155A	
ÜL 292	1989.09	1993.03	D2866TUH01 12,0ltr	858783	24V / 55A	
ÜL 292	1989.09	1993.03	D2866TUH01 12,0ltr	1277A720	24V / 155A	



OUTPUT
V/A

NOTES / NOTAS /
ANMERKUNG

MAN

ÜL 312	1995.09	1996.09	D2865LUH07 10,0ltr	1277A720	24V / 155A	Voltsetting 28.0 T1
ÜL 312	1995.09	1996.09	D2865LUH07 10,0ltr	1277A760	24V / 155A	Voltsetting 28.5 T1
ÜL 313	1996.09	1998.03	D2866LUH20 12,0ltr	1277A720	24V / 155A	Voltsetting 28.0 T1
ÜL 313	1998.04	2001.09	D2866LUH20 12,0ltr	1277A760	24V / 155A	Voltsetting 28.5 T1
ÜL 313, Lion's Comfort	1999.05	2001.04	D2866LUH24, D2866LUH26 12,0ltr	1277A720	24V / 155A	Voltsetting 28.0 T1
ÜL 313, Lion's Comfort	2001.05		D2866LUH24, D2866LUH26 12,0ltr	1277A760	24V / 155A	Voltsetting 28.5 T1
ÜL 314, Lion's Regio	2004.06		D2866LUH24 12,0ltr	1277A760	24V / 155A	T1
ÜL 322	1992.04	1995.09	D2865LUH08 10,0ltr	1277A720	24V / 155A	
ÜL 353	1997.06	2001.12	D2866LUH21 12,0ltr	1277A720	24V / 155A	Voltsetting 28.0 T1
ÜL 353, Lion's Comfort	1998.04	2001.12	D2866LUH21 12,0ltr	1277A760	24V / 155A	Voltsetting 28.5 T1
ÜL 363	1999.05	2001.04	D2866LUH25 12,0ltr	1277A720	24V / 155A	Voltsetting 28.0 T1
ÜL 364, Lion's Regio L	2004.06		D2866LUH25 12,0ltr	1277A760	24V / 155A	T1
ÜL ÜL 313	9.96		18t, 11967cc (228kW / 310hp)	860713GB	24V / 100A	

MERCEDES-BENZ

Citaro (O 530) Citaro C	2013.08		7.2ltr	861366	24V / 100A	
Citaro (O 530) Citaro G	1999.01		OM 906.930, OM 909.901, OM 909.921, OM 909.960, OM 909.961 (6.4ltr)	861366	24V / 100A	
Citaro L O 530 N3	1999.01		OM457.934HLA, OM457.935HLA	1277A640	24V / 155A	Vehicle 522049/02
Citaro L O 530 N3	1999.01		OM457.934HLA, OM457.935HLA, OM906.930HLA, OM906.960LA, OM909.921LA, OM909.901LA 6.4ltr	1277A650	24V / 155A	Vehicle 522049/06, /08, /14, /17
Citaro L O 530 N3	1999.01		OM906.930HLA, OM906.960LA, OM909.921LA	860563	24V / 100A	Vehicle 505022/07
Citaro L O 530 N3	1999.01		OM909.901LA 6,4ltr	860563	24V / 100A	Vehicle 505022/07
Citaro L O 530 N3	1999.01		OM906.930HLA, OM906.960LA, OM909.921LA	AVI144S3001	24V / 110A	Upgrade
Citaro L O 530 N3	1999.01		OM909.901LA 6,4ltr	AVI144S3001	24V / 110A	Upgrade
Citaro LE	2013		OM936 Euro6	861331	24V / 150A	
Citaro LE	2013		OM936 Euro6	861334	24V / 150A	
Citaro (O 530) Citaro N	1998.01		OM 906.930, OM 909.901, OM 909.921, OM 909.960, OM 909.961 (6.4ltr)	861366	24V / 100A	
Citaro (O 530) Citaro N	1999.04		OM 906.930, OM 909.901, OM 909.921, OM 909.960, OM 909.961 (6.4ltr)	861366	24V / 100A	
Citaro (O 530) Citaro N	1998.01		OM 906.931, OM 909.900, OM 909.911 (6.4ltr)	861366	24V / 100A	
Citaro (O 530) Citaro N	1999.01		OM 909.962, OM 909.963 (6.4ltr)	861366	24V / 100A	
Citaro (O 530) Citaro, Citaro MUE	1998.01		OM 902.926, OM 902.934 (6.4ltr)	861366	24V / 100A	
Citaro O 530 G, N	1999.01		6.4lt 205kW	860807	24V / 110A	

BUS & COACH APPLICATION GUIDE 2019

ALTERNATORS



OUTPUT
V/A

NOTES / NOTAS /
ANMERKUNG

MERCEDES-BENZ

Citaro O 530 GN3, GN3 UESTRA, GNEU3, N3	1998.01		OM457.934HLA, .935HLA	1277A640	24V / 155A	Vehicle 522049/02
Citaro O 530 GN3, GN3 UESTRA, GNUE3,N3 UESTRA N3/NUE3	1998.01		OM906.901LA 6.4ltr, OM457.934HLA, .935HLA, OM457.933HLA, OM906.930, 938HLA	1277A650	24V / 155A	Vehicle 505022/08
Citaro O 530 GN3, GN3 UESTRA, GNUE3,N3 UESTRA N3/NUE3	1999.01		OM906.901LA 6.4ltr, OM909.291LA, OM906.960LA 6,4ltr, OM906.930, 938HLA	860563	24V / 100A	Vehicle 505022/07
Citaro O 530 GN3, GN3 UESTRA, GNUE3,N3 UESTRA N3/NUE3	1999.01		OM906.901LA 6.4ltr, OM909.291LA, OM906.960LA 6,4ltr, OM906.930, 938HLA	AVI144S3001	24V / 110A	Upgrade
Citaro O 530 GN3, GNUE3, N3	1998.01		OM457.933HLA, OM457.942HLA 12.0ltr	1277A640	24V / 155A	Vehicle 522049/02
Citaro O 530 GN3, GNUE3, N3/ NUE3	1999.01		OM909.291LA, OM906.960LA 6,4ltr	1277A650	24V / 155A	Vehicle 505022/08
Citaro O 530 GNG3 UESTRA,N3	2000.04		476.930HLAG	1277A640	24V / 155A	Vehicle 505156/04, /06
Citaro O 530 GNG3 UESTRA,N3	2000.04		476.930HLAG	1277A650	24V / 155A	Vehicle 522049/06, /08, /14, /17
Citaro O 530 N3 UESTRA	1999.04		OM906.930HLA 6.4ltr	1277A650	24V / 155A	Vehicle 505022/08
Citaro O 530 N3, GN3	1998.01		OM906.930HLA, OM906.931HLA, OM906.963HLA 6.4ltr, OM457.943LA 12.0ltr, OM906.961 6.4ltr, OM906.962 6.4ltr	860563	24V / 100A	Vehicle 505022/07
Citaro O 530 N3, GN3	1998.01		OM906.930HLA, OM906.931HLA, OM906.963HLA 6.4ltr, OM906.961 6.4ltr, OM906.962 6.4ltr	1277A650	24V / 155A	Vehicle 505022/08
Citaro O 530 N3, GN3	1998.01		OM906.930HLA, OM906.931HLA, OM906.963HLA 6.4ltr, OM457.943LA 12.0ltr, OM906.961 6.4ltr, OM906.962 6.4ltr	AVI144S3001	24V / 110A	Upgrade
Citaro O 530 N3, N3 UESTRA	2000.04		476.932HLAG	1277A640	24V / 155A	Vehicle 505156/04, /06
Citaro O 530 N3/NUE3 UESTRA	1999.01		OM906.930HLA 6.4ltr, OM909.900LA 6.4ltr	860563	24V / 100A	Vehicle 505022/07
Citaro O 530 N3/NUE3 UESTRA	1999.01		476.932HLAG, OM909.900LA 6.4ltr	1277A650	24V / 155A	Vehicle 522049/06,/08, /14, /17
Citaro O 530 N3/NUE3 UESTRA	1999.01		OM906.930HLA 6.4ltr, OM909.900LA 6.4ltr	AVI144S3001	24V / 110A	Upgrade
Citaro U (O 530)	2012.05		7.7L / 299hp	861331	24V / 150A	
Citaro U (O 530)	2012.05		10.7L / 360hp	861331	24V / 150A	
Citaro U (O 530)	2012.05		10.7L / 360hp	861334	24V / 150A	
Citaro U (O 530)	2012.05		10.7L / 360hp	861336	24V / 150A	
Cito O 520	1999.01		OM904LA 4.3ltr	1277A650	24V / 155A	w a/c
Cito O 520	1999.01		OM904LA 4.3ltr	860563	24V / 100A	Vehicle 505022/07



OUTPUT
V/A

NOTES / NOTAS /
ANMERKUNG

MERCEDES-BENZ						
Cito O 520	1999.01		OM904LA 4.3ltr	AVI144S3001	24V / 110A	Upgrade
Cito O 520	1999.06		OM 904.942 (4.2ltr)	861366	24V / 100A	
Conecto O 345	2001.05		OM906.960 6.4ltr 205kW	860563	24V / 100A	Vehicle 505022/07
Conecto O 345	2001.05		OM906.960 6.4ltr 205kW	AVI144S3001	24V / 110A	Upgrade
Conecto O 345	2001.1		OM457.942 12.0ltr 185-260kW	1277A640	24V / 155A	Vehicle 522049/02
Conecto O 345	2001.1		OM457.942 12.0ltr 185-260kW	1277A650	24V / 155A	Vehicle 522049/06, /08, /14, /17
Conecto O 345 (12m)	2001.11		OM 447.949 (12.0ltr)	861366	24V / 100A	
Conecto O 345 (12m)	2001.11		OM 906.961, OM 902.925 (6.4ltr)	861366	24V / 100A	
Conecto O 345 (12m)	2001.11		OM 926.939 (7.2ltr)	861366	24V / 100A	
Conecto O 345 C, H, UE	2001.11		OM 906.960 (6.4ltr)	861366	24V / 100A	
Integro (O 550) Integro L	2006.01		OM 926.939 (7.2ltr)	861366	24V / 100A	
Integro (O 550) Integro, Integro M	2006.01		OM 926.939 (7.2ltr)	861366	24V / 100A	
Integro O 550 L, Ü, Ü (15m), ÜH	1999.09		OM447HLA 12,0ltr 184-260kW, OM457HLA 12,0ltr 185-260kW	1277A640	24V / 155A	
Intouro	2013		OM936 Euro6	861331	24V / 150A	
Intouro	2013		OM936 Euro6	861334	24V / 150A	
Intouro O 345	2001.1		OM906.960 6.4ltr	860563	24V / 100A	Vehicle 505022/07
Intouro O 345	2001.1		OM906.960 6.4ltr	AVI144S3001	24V / 110A	Upgrade
Intouro O 345, G	2001.1		OM906.960 6.4ltr, OM457.942 12.0ltr	1277A650	24V / 155A	Vehicle 505022/08
Intouro O 345, G, K	1995.1		OM489.960, .961 10,0ltr, OM447.949, .960 12.0ltr, OM457.942 12.0ltr, OM447.947HLA, .948 12,0ltr	1277A640	24V / 155A	
Intouro O 560	2000.01		OM441LA 11,0ltr 250kW	1277A640	24V / 155A	
Intouro, Intouro E, Intouro M, Intouro ME	2005.01		OM 926.939 (7.2ltr)	861366	24V / 100A	
LK/LN2 1117 LO	1996.03	1998.12		860807GB	24V / 110A	
O 100 City	1994.01		OM602.940 2.9ltr	20100719	12V / 70A	w ps
O 100 City	1994.01		OM602.940 2.9ltr	20100721	12V / 70A	
O 100 City	1994.01		OM602.940 2.9ltr >>277088	20100723	12V / 85A	
O 100 City	1994.01	1996.05	OM602.940 2.9ltr 277089>>	20110217	12V / 90A	wo/ a/c, wo/ ps int fan 90A
O 301, F	1986.02	1991.02	OM366.917, .965A 6,0ltr	1277A640	24V / 155A	
O 303	1978.12	1992.09	OM401.912 9,6ltr, OM402.907 12,8ltr, OM403.918 15,9ltr, OM421.908 11,0ltr, OM421.951A 11,0ltr, OM441.908, .909, .911 11,0ltr, OM442.910, 18, 19, 39, 60, 61A 15,0ltr, OM441.950, OM441.953A 11.0ltr	1277A640	24V / 155A	
O 305, G	1978.12	1987.05	OM407.913, 14, 15, 16, 17, 18H, 19, 51, 55AH 11,4ltr	1277A640	24V / 155A	
O 307	1978.12	1987.07	OM407.915, .916, .918 11,0ltr	1277A640	24V / 155A	
O 309 D	1982.09	1986.1	OM314.948 3,8 ltr, OM314.959 3,8ltr, OM353.966 5,7ltr, OM353.966 5,7ltr	858783	24V / 55A	

BUS & COACH APPLICATION GUIDE 2019

ALTERNATORS



OUTPUT
V / A

NOTES / NOTAS /
ANMERKUNG

MERCEDES-BENZ

O 309 D	1986.11	1989.02	OM314.948 3,8 ltr, OM314.959 3,8ltr, OM353.966 5,7ltr	858783	24V / 55A	
O 309 D	1986.11	1989.02	OM314.959 3,8ltr, OM353.966 5,7ltr	858783	24V / 55A	
O 309 D	1988.1	1989.02	OM314.959 3,8ltr, OM353.966 5,7ltr	860558	24V / 80A	
O 309 D	1988.1	1989.02	OM314.959 3,8ltr, OM353.966 5,7ltr	AVI144S3001	24V / 110A	Upgrade
O 402, F	1986.02	2001.02	OM366.917, .965A 6,0ltr	1277A640	24V / 155A	
O 404	1991.09	1999.1	OM401.970LA, .974LA 9,6ltr, OM441.921, .922, .980LA, OM445.934, .935LA 11,0ltr, OM442.930, 31, OM446.934LA, 38LA 15,0ltr	1277A640	24V / 155A	
O 405, E, G, GN, GNTD, GT, GTD, N, N1	1984.1		OM427.905h, 910, .911H, .950hA, OM447.905h, 906h, 907h, 908h, .913h, .950 hA, .956hA, .970hIA, .971hIA, .972hIA, .973hIA, .974hIA, .976hIA, .977hIA, .980, .959hA, .978HLA, .979hLA, .981hLA, .984hLA, OM447.998hIA, OM447.968hIA, .998hLA, OM447.955ha, .910h, .914h, .957hA, .986hLA, .996hIA 12,0ltr	1277A640	24V / 155A	
O 407	1987.03	2001.02	OM447.906h, .908h, .985Hla, .990Hla, .991Hla 12.0ltr	1277A640	24V / 155A	
O 408	1991.01	2001.12	OM447.912h, .958hA, .987hLA, .992, .993 HLA 12.0ltr	1277A640	24V / 155A	
OF 1417	1998.1		OM904.920LA 4.2ltr 125kW	860559	24V / 80A	Central & S. America
OF 1417	1998.1		OM904.920LA 4.2ltr 125kW	AVI144S3001	24V / 110A	Upgrade
OF 1620	1999.01	2001.04	OM366LA 6.0ltr 150kW	860559	24V / 80A	Central & S. America
OF 1620	1999.01	2001.04	OM366LA 6.0ltr 150kW	AVI144S3001	24V / 110A	Upgrade
OF 1621	1999.01	2001.04	OM366LA 6.0ltr 150,155kW	860559	24V / 80A	Central & S. America
OF 1621	1999.01	2001.04	OM366LA 6.0ltr 150,155kW	AVI144S3001	24V / 110A	Upgrade
OF 1721	1999.01	2001.04	OM366LA 6.0ltr 150,155kW	860559	24V / 80A	Central & S. America
OF 1721	1999.01	2001.04	OM366LA 6.0ltr 150,155kW	AVI144S3001	24V / 110A	Upgrade
OF 366, A, OH 366 A	1985.01		OM366, A 6,0ltr	860143	24V / 55A	
OH 1420	1999.01	2001.04	OM366LA 6.0ltr 140kW	860559	24V / 80A	Central & S. America
OH 1420	1999.01	2001.04	OM366LA 6.0ltr 140kW	AVI144S3001	24V / 110A	Upgrade
SPRINTER 2-t Bus (901, 902) 208 CDI	2000.04	2005.06	2148cc (60kW / 82hp)	20130237	12V / 90A	
SPRINTER 2-t Bus (901, 902) 211 CDI	2000.04	2005.06	2148cc (80kW / 109hp)	20130237	12V / 90A	
SPRINTER 2-t Bus (901, 902) 213 CDI	2000.04	2005.06	2148cc (95kW / 129hp)	20130237	12V / 90A	
SPRINTER 2-t Bus (901, 902) 216 CDI	2000.04	2005.06	2685cc (115kW / 156hp)	20130237	12V / 90A	
SPRINTER 3-t Bus (903) 308 CDI	2000.04	2005.06	2148cc (60kW / 82hp)	20130237	12V / 90A	



OUTPUT
V/A

NOTES / NOTAS /
ANMERKUNG

MERCEDES-BENZ

SPRINTER 3-t Bus (903) 311 CDI	2000.04	2005.06	2148cc (80kW / 109hp)	20130237	12V / 90A	
SPRINTER 3-t Bus (903) 311 CDI 4x4	2002.08	2006.05	2148cc (80kW / 109hp)	20130237	12V / 90A	
SPRINTER 3-t Bus (903) 313 CDI	2000.04	2005.06	2148cc (95kW / 129hp)	20130237	12V / 90A	
SPRINTER 3-t Bus (903) 313 CDI 4x4	2002.08	2006.05	2148cc (95kW / 129hp)	20130237	12V / 90A	
SPRINTER 3-t Bus (903) 316 CDI	2000.04	2005.06	2685cc (115kW / 156hp)	20130237	12V / 90A	
SPRINTER 3-t Bus (903) 316 CDI 4x4	2002.08	2006.05	2685cc (115kW / 156hp)	20130237	12V / 90A	
SPRINTER 4-t Bus (904) 408 CDI	2000.04	2005.06	2148cc (60kW / 82hp)	20130237	12V / 90A	
SPRINTER 4-t Bus (904) 411 CDI	2000.04	2005.06	2148cc (80kW / 109hp)	20130237	12V / 90A	
SPRINTER 4-t Bus (904) 413 CDI	2000.04	2005.06	2148cc (95kW / 129hp)	20130237	12V / 90A	
SPRINTER 4-t Bus (904) 416 CDI	2000.04	2005.06	2685cc (115kW / 156hp)	20130237	12V / 90A	
Tourino O 510	2003.10		OM 906.962 (6.4ltr)	861366	24V / 100A	
Tourino O 510	2003.10		OM 906.961 (6.4ltr)	861366	24V / 100A	
Tourino O 510	2003.10		OM 926.939 (7.2ltr)	861366	24V / 100A	
Tourismo 15 RHD/SHD	1999.10		OM457.944LA 14,6ltr	1277A650	24V / 155A	522049/06, /08, /14, /17
Tourismo O 350	1995.10		OM402.970LA 12,8ltr, OM441.980LA, OM445.934LA 11,0ltr, OM446.938LA 14,6ltr	1277A640	24V / 155A	
Touro OC 500	2002.10		OM457.944LA 12,0ltr	1277A650	24V / 155A	522049/06, /08, /14, /17
Travego O 580-15 RH	1999.10		OM 542.948 (15.9ltr)	861366	24V / 100A	
Travego O 580-16 RHD	1999.10		OM 542.966 (15.9ltr)	861366	24V / 100A	
Travego O 580-17 RHD	1999.10		OM 542.948 (15.9ltr)	861366	24V / 100A	
Travego O 580-17 RHD	1999.10		OM 542.948, OM542.966 (15.9ltr)	861366	24V / 100A	
Travego O 580-17 SHD	1999.10		OM 542.948 (15.9ltr)	861366	24V / 100A	
Travego O 580-17 SHD	1999.10		OM 542.966 (15.9ltr)	861366	24V / 100A	
Travego O 580 RH- 15/ RHD- 15, RHD 17	1999.10		OM457LA, LE/HLA 12.0ltr, OM502LA 15,9ltr	1277A640	24V / 155A	w/ & wo/ a/c
Travego O 580 RH- 15/ RHD- 15, RHD 17	1999.10		OM457LA, LE/HLA 12.0ltr	1277A650	24V / 155A	wo/ a/c
Vario O 810, O 814, O 815	1996.09			860807GB	24V / 110A	

NEOPLAN

Skyliner	2002		Common-rail diesel	1277A640	24V / 155A	
Skyliner	2002		Common-rail diesel	1277A720	24V / 155A	
Tourline 2216 SHD, 2216/3 SHD-L	2003.11		D 2866LOH34 12,0ltr, D 2876LOH34 12,8ltr	1277A760	24V / 155A	
Tourliner N 2216 SHD	1.03		18t, 12816cc (338kW / 460hp)	860713GB	24V / 100A	
Tourliner N 2216 SHD	1.03		18t, 11967cc (301kW / 410hp)	860713GB	24V / 100A	

BUS & COACH APPLICATION GUIDE 2019

ALTERNATORS



OUTPUT
V/A

NOTES / NOTAS /
ANMERKUNG

NEOPLAN

Tourliner N 2216 SHD	6.06		18t, 10518cc (324kW / 440hp)	860713GB	24V / 100A	
Tourliner N 2216 SHD	6.06		18t, 10518cc (294kW / 400hp)	860713GB	24V / 100A	
Tourliner N 2216 SHDL	1.03		24.9t, 12816cc (338kW / 460hp)	860713GB	24V / 100A	
Tourliner N 2216 SHDL	1.03		24.9t, 11967cc (301kW / 410hp)	860713GB	24V / 100A	
Tourliner N 2216 SHDL	6.06		18t, 10518cc (324kW / 440hp)	860713GB	24V / 100A	

OPTARE

Bova Futura		2000.12	Cummins C	1277A730	24V / 155A	
Bus			Cummins B	8LHA3096U	24V / 110A	
Metro Rider AC			Cummins B	1277A740	24V / 155A	
Solo	2004		Cummins ISBe 6cyl	860809GB	24V / 110A	SAB19000000001537, M1020
Solo			Mercedes-Benz engine	860559	24V / 80A	
Solo				880636Z	24V / 80A	AC203 unregulated
Solo			Mercedes-Benz engine	860807GB	24V / 110A	
Solo			MAN engine	860811GB	24V / 110A	
Solo			Mercedes-Benz engine	AVI144S3001	24V / 110A	Upgrade
Solo - Aircon unit			TK 5D51321G01	8SC3200V	24V / 150A	Batteryless alternator
Solo, Solo SR			Cummins engine	860810GB	24V / 110A	
Tempo			Mercedes-Benz engine	860563	24V / 100A	

OTOMARSAN

3206			Cummins 4ISBe 185 Euro3	AVE2119-E	24V / 110A	
3237			Cummins 4ISBe 185 Euro3	AVE2119-E	24V / 110A	
O 302	1982.01	1989.12	OM353.906 5,7ltr, OM360.916,979,980,981 8,7ltr	1277A640	24V / 155A	

PLAXTON

Cheetah			Mercedes-Benz engine	860807GB	24V / 110A	
Enviro 2000	2010		Cummins ISBe	AVI147S3108HD	24V / 120A	
Primo			Cummins ISBe	1277A740	24V / 155A	

RÁBA

Premier 091			MAN D0826 LOH 18	1277A760	24V / 155A	T1, Voltsetting 28.5
Premier 291			MAN D2866 LUH 20 E2	1277A720	24V / 155A	T1, Voltsetting 28.0
Premier 291			MAN D2866 LUH 20 E3	1277A720	24V / 155A	T1, Voltsetting 28.0

RENAULT

Agora Citybus GNV	1995.06			>>>	-	see IRISBUS
Agora Line	1998.04			>>>	-	see IRISBUS
Axer	1998.05			860710GBA	24V / 90A	
FR 1	1992	1999		>>>	-	see IRISBUS
P, PR	1991	1999		>>>	-	see IRISBUS
R 212	1986	1990		>>>	-	see IRISBUS
R 312	1986.11	1999		>>>	-	see IRISBUS
R 330				>>>	-	see IRISBUS
R 332	1996.1	2001.09	MIHR06.20.45A41 9.8ltr 185kW	>>>	-	see IRISBUS
Recreo			Iveco Cursor 8 engine	860706GBA	24V / 90A	6 groove pulley



OUTPUT
V/A

NOTES / NOTAS /
ANMERKUNG

RENAULT

Recreo			Iveco Cursor 8 engine	860710GBA	24V / 90A	10 groove pulley
Recreo			Iveco Cursor 8 engine	860712GBA	24V / 90A	12 groove pulley
S 45 R, RX	1983.01	1994.12	D0846HM42U 7,3 ltr	>>>	-	see IRISBUS
S 50 R, RX	1983.01	1994.12	D0846HM42U 7,3 ltr	>>>	-	see IRISBUS
S 53 R, RX	1983.01	1994.12	D0846HM42U 7,3 ltr	>>>	-	see IRISBUS
Tracer	1992.03	2001		>>>	-	see IRISBUS

SCANIA

BK 112 CLB	1982.05	1989.08	DN11.06B, DS11.15B, DSC11.01B 11,0ltr	858882	24V / 55A	
BK 112 CLB	1982.05	1983.01	DN11.06B, DS11.15B, DSC11.01B 11,0ltr	1277A640	24V / 155A	T1 2 M12 taps in DE
BK 112 CLB	1982.05	1999.11	DN11.06B, DS11.15B, DSC11.01B 11,0ltr	1277A700	24V / 155A	T1 1 M12 tap in DE
BK 112 CLB	1989.09	1999.11	DN11.06B, DS11.15B, DSC11.01B 11,0ltr	860157	24V / 55A	N1 55A fork mounting
BK 112 CLB	1989.09	1999.11	DN11.06B, DS11.15B, DSC11.01B 11,0ltr	860560	24V / 80A	N1 75A fork mounting
BN 113 ALB, CLB	1990.05	1998.08	DN11.06C, DS11.34, .71, DSC11.04, .08C 11,0ltr	860157	24V / 55A	
BN 113 ALB, CLB	1990.05	1998.08	DN11.06C, DS11.34, .71, DSC11.04, .08C 11,0ltr	1277A740	24V / 155A	
BR 112	1978.09	1989.08	D11, DS 11.01, 14, 11.15 11,0ltr	858882	24V / 55A	
BR 112	1989.09	1991.12	D11, DS 11.01, 14, 11.15 11,0ltr	860157	24V / 55A	
BR 112	1989.09	1991.12	D11, DS 11.01, 14, 11.15 11,0ltr	860560	24V / 80A	
Caetano body (double deck)				A009TU5591	24V / 150A	
Citywide LE	2013		OC09-102 9L 340hp Natural gas / Biomethane	A009TU6499	24V / 150A	
Citywide LF			DC07-101 (Cummins ISB6.7) 280hp Euro6	AV1147S3108HD	24V / 120A	
CN 113, A	1990.01	1998.08	DS11.34, .74, DSC11.04, .08 11,0ltr	860157	24V / 55A	N1 55A
CN 113, A	1990.01	1998.08	DS11.34, .74, DSC11.04, .08 11,0ltr	1277A700	24V / 155A	T1 120A
CN 113, A	1990.01	1998.08	DS11.34, .74, DSC11.04, .08 11,0ltr	880640Z	24V / 115A	1285523 AC203R
CR 112	1978.09	1989.09	D11, DS 11.01, 14, 11.15 11,0ltr	858882	24V / 55A	
CR 112	1989.09	1992.12	D11, DS 11.01, 14, 11.15 11,0ltr	860157	24V / 55A	
CR 112	1989.09	1992.12	D11, DS 11.01, 14, 11.15 11,0ltr	860560	24V / 80A	
F 112	1981.1	1989.08	DN11.07, DS11.15 11,0ltr	858882	24V / 55A	
F 112	1989.09	1995.01	DN11.07, DS11.15 11,0ltr	860157	24V / 55A	
F 112	1989.09	1995.01	DN11.07, DS11.15 11,0ltr	860560	24V / 80A	
F 113 HL/HR	1990.06	1998.08	DS11.34 11,0ltr	860157	24V / 55A	
F 113 HL/HR	1990.06	1998.08	DS11.34 11,0ltr	1277A700	24V / 155A	
F 82 CL	1981.1	1989.08	DS8.05B 7,8ltr	858882	24V / 55A	
F 82 CL	1989.09	1991.1	DS8.05B 7,8ltr	860157	24V / 55A	
F 82 CL	1989.09	1991.1	DS8.05B 7,8ltr	860560	24V / 80A	

BUS & COACH APPLICATION GUIDE 2019

ALTERNATORS



OUTPUT
V/A

NOTES / NOTAS /
ANMERKUNG

SCANIA

F 93 HL/HR	1990.06	1998.01	DN9.01, DS9.06 8,5ltr	858882	24V / 55A	80mm single lug
F 93 HL/HR	1990.06	1998.01	DN9.01, DS9.06 8,5ltr	860157	24V / 55A	Fork mounting
F 93 HL/HR	1990.06	1998.01	DN9.01, DS9.06 8,5ltr	860560	24V / 80A	
F 93 HL/HR	1990.06	1998.01	DN9.01, DS9.06 8,5ltr	1277A700	24V / 155A	
K 112	1982.07	1983.01	DS11.15 11,0ltr, DSC11.01 11,0ltr	1277A640	24V / 155A	T1 2 M12 taps in DE
K 112	1982.07	1995.12	DS11.15 11,0ltr, DSC11.01 11,0ltr	1277A700	24V / 155A	T1 1 M12 tap in DE
K 112 CLB	1982.04	1989.09	DSC11.01B 11,0ltr, DN11.06B 11,0ltr, DS11.15B 11,0ltr	858882	24V / 55A	
K 112 CLB	1982.04	1983.01	DS11.15B 11,0ltr, DN11.06B 11,0ltr, DSC11.01B 11,0ltr	1277A640	24V / 155A	T1 2 M12 taps in DE
K 112 CLB	1982.04	1990.06	DS11.15B 11,0ltr, DN11.06B 11,0ltr, DSC11.01B 11,0ltr	1277A700	24V / 155A	T1 1 M12 tap in DE
K 112 CLB	1989.09	1990.06	DN11.06B 11,0ltr, DS11.15B 11,0ltr	860157	24V / 55A	N1 55A fork mounting
K 112 CLB	1989.09	1990.06	DN11.06B 11,0ltr, DS11.15B 11,0ltr, DSC11.01B 11,0ltr	860560	24V / 80A	N1 75A fork mounting
K 113 CLA/CRA, CLB, TLA/TRA/ TLB	1982.05	1998.08	DN11.06C, .34, .73, .73B, .74, .75, .78, DSC11.08, .08B, .13, .16B, .17, .18, .21, .22, .23, .35, .36, .70, .81 11,0ltr	860157	24V / 55A	
K 113 CLA/CRA, CLB, TLA/TRA/ TLB	1982.05	1998.08	DN11.06C, .34, .73, .73B, .74, .75, .78, DSC11.08, .08B, .13, .16B, .17, .18, .21, .22, .23, .35, .36, .70, .81 11,0ltr	1277A700	24V / 155A	
K 114 EB, IB	1997.08		DC11.03, .04, .06 10,6ltr, DC11.07 11.6ltr	860557	24V / 65A	
K 114 EB, IB	1997.08		DC11.03, .04, .06 10,6ltr, DC11.07 11.6ltr	860340	24V / 140A	1277700 + Kit
K 124EB, IB	1997.08		DC12.01, .02, DSC12.02 12,0ltr, DC12.01 11,7ltr	860557	24V / 65A	
K 124EB, IB	1997.08		DC12.01, .02, DSC12.02 12,0ltr, DC12.01 11,7ltr	860340	24V / 140A	1277700 + Kit
K 82 CL, 82 CR	1984.03	1989.09	DSI8.01B 7,8ltr	858882	24V / 55A	
K 82 CL, 82 CR	1984.03	1995.12	DSI8.01B 7,8ltr	1277A700	24V / 155A	
K 82 CL, 82 CR	1989.09	1995.12	DSI8.01B 7,8ltr	860157	24V / 55A	
K 82 CL, 82 CR	1989.09	1995.12	DSI8.01B 7,8ltr	860560	24V / 80A	
K 92 CL, 92 CR	1982.05	1989.08	DS9.03B01, B02	858882	24V / 55A	
K 92 CL, 92 CR	1982.05	1994.12	DS9.03B01, B02	1277A700	24V / 155A	
K 92 CL, 92 CR	1989.09	1994.12	DS9.03B01, B02	860157	24V / 55A	
K 92 CL, 92 CR	1989.09	1994.12	DS9.03B01, B02	860560	24V / 80A	
K 93 CL, CLB, CR, CRB	1987.11	2001.12	DS9.05B01, B02, DSC9.08 8,5ltr	858882	24V / 55A	80mm single lug
K 93 CL, CLB, CR, CRB	1987.11	2001.12	DS9.05B01, B02, DSC9.08 8,5ltr	860157	24V / 55A	Fork mounting
K 93 CL, CLB, CR, CRB	1987.11	2001.12	DS9.05B01, B02, DSC9.08 8,5ltr	1277A700	24V / 155A	
K 93 CL, CLB, CR, CRB	1989.09	2001.12	DS9.05B01, B02, DSC9.08 8,5ltr	860560	24V / 80A	
K 94 E, IB	1997.09	2000.1	DSC9.15 9,0ltr	860557	24V / 65A	
K 94 E, IB	1997.09	2000.1	DSC9.15 9,0ltr	860340	24V / 140A	1277700 + Kit



OUTPUT
V/A

NOTES / NOTAS /
ANMERKUNG

SCANIA

L 113 CLB, CLL	1990.09	1998.08	DS11.34, .74, .78, DSC11.08, .21, .24, .27, .71 11,0ltr	860157	24V / 55A	
L 113 CLB, CLL	1990.09	1998.08	DS11.34, .74, .78, DSC11.08, .21, .24, .27, .71 11,0ltr	1277A700	24V / 155A	
L 94 IB, UB	1997.03		DC9.01, .02, .03, .04, .05, .06, DSC9.11, .12, .13, .12 9,0ltr	860557	24V / 65A	
L 94 IB, UB	1997.03		DC9.01, .02, .03, .04, .05, .06, DSC9.11, .12, .13, .12 9,0ltr	860340	24V / 140A	1277700 + Kit
N 113 ALB, CLB, CLL/ CRL, DRB	1991.04	1998.08	DN11.06C, DS11.34, 71, .73, .74, .74C, .77, .78, DSC11.04, .08, .21, .24, .27, .71, DSI11. E011 11,0ltr	860157	24V / 55A	N1 55A
N 113 ALB, CLB, CLL/ CRL, DRB	1991.04	1998.08	DN11.06C, DS11.34, 71, .73, .74, .74C, .77, .78, DSC11.04, .08, .21, .24, .27, .71, DSI11. E011 11,0ltr	1277A700	24V / 155A	T1 120A
N 113 ALB, CLB, CLL/ CRL, DRB	1991.04	1998.08	DN11.06C, DS11.34, 71, .73, .74, .74C, .77, .78, DSC11.04, .08, .21, .24, .27, .71, DSI11. E011 11,0ltr	880640Z	24V / 115A	1285523 AC203R-115
N 94 UB	1997.09	2002.08	DSC9.11 9,0ltr	860557	24V / 65A	
N 94 UB	1997.09	2002.08	DSC9.11 9,0ltr	860340	24V / 140A	1277700 + Kit
OnniExpress 3.40	2013		9L 360hp Euro6	A009TU6499	24V / 150A	
S 112	1981.1	1989.08	DN11.07, DS11.15 11,0ltr	858882	24V / 55A	
S 112	1989.09	1991.1	DN11.07, DS11.15 11,0ltr	860157	24V / 55A	
S 112	1989.09	1991.1	DN11.07, DS11.15 11,0ltr	860560	24V / 80A	
S 82 CL	1981.1	1989.08	DS8.05B 7,8ltr	858882	24V / 55A	
S 82 CL	1989.09	1995.01	DS8.05B 7,8ltr	860157	24V / 55A	
S 82 CL	1989.09	1995.01	DS8.05B 7,8ltr	860560	24V / 80A	
Touring HD	2011		13L 450hp Euro6	A009TU5591	24V / 150A	
Touring HD 121	2014.11			861079	24V / 100A	
Various	2015			861298	24V / 110A	

SCHOOL BUS (USA)

SCHOOL BUS USA	2000	2006	Base vehicle	A0014836LGH	12V / 185A	
SCHOOL BUS USA	2002	2006	2 x AC unit	A0014949PA	12V / 270A	
SCHOOL BUS USA	2002	2006	2 x AC unit	A0014867JB	12V / 270A	
SCHOOL BUS USA	2007	>>	Base vehicle	AVi160P2003	12V / 240A	
SCHOOL BUS USA	2007	>>	Base vehicle	AVi160J2004	12V / 240A	
SCHOOL BUS USA	2007	>>	1 x AC unit	A0014949PA	12V / 270A	
SCHOOL BUS USA	2007	>>	2 x AC unit	A0014962PA	12V / 320A	
SCHOOL BUS USA	>>	2002	1 x AC unit	AVi160J2008	12V / 210A	
SCHOOL BUS USA	>>	2000	Base vehicle	A0012800LC	12V / 160A	

SOLARIS

Alpino			Cummins ISBe 6.7 Euro6	AVI147S3108HD	24V / 120A	
Inter Urbino	2013		Cummins ISBe 6.7 Euro6	AVI147S3108HD	24V / 120A	
Urbino 10			Cummins ISBe 6.7 Euro6	AVI147S3108HD	24V / 120A	
Urbino 12			DAF PR chassis	860809GB	24V / 100A	Re-use original pulley

BUS & COACH APPLICATION GUIDE 2019

ALTERNATORS



OUTPUT
V/A

NOTES / NOTAS /
ANMERKUNG

SOLARIS

Urbino 12, 12 CNG			Cummins ISBe 6.7 Euro6	AVI147S3108HD	24V / 120A	
Urbino 18			DAF PR chassis	860809GB	24V / 100A	Re-use original pulley
Urbino 18 CNG			Cummins ISLG 8.9 Euro6	AVI147S3108HD	24V / 120A	
Vacanza 12, 13	2005.1		DAF MX300	861066GB	24V / 112A	

TEMSA

Avenue LF	2009		Cummins ISBe	AVI147S3108HD	24V / 120A	
LD13 SB			Cummins ISB6.7 Euro6	AVI147S3108HD	24V / 120A	
MD9 LE			Cummins ISB6.7 Euro6	AVI147S3108HD	24V / 120A	
Opalin			MAN	860812	24V / 120A	

VALDAY

Bus			Cummins ISF 3.8l	AVE2119E	24V / 110A	5263797
-----	--	--	------------------	-----------------	------------	---------

VAN HOOL

TX Astromega			Paccar (DAF) Euro6	861335	24V / 150A	
TX11 Alicron			Paccar (DAF) Euro6	861335	24V / 150A	
TX15 Acron			Paccar (DAF) Euro6	861335	24V / 150A	
TX16 Alicron			DAF Euro6	861066GB	24V / 112A	
TX16 Astron			Paccar (DAF) Euro6	861335	24V / 150A	
TX17 Acron			Paccar (DAF) Euro6	861335	24V / 150A	
TX21 Altano			Paccar (DAF) Euro6	861335	24V / 150A	
Various models			Detroit and Cat C13 engines	1277A680	24V / 155A	Twin T1, for US market
Various models				BLP3312	24V / 140A	Brushless
Various models				1277A720	24V / 155A	
Various models				1277A740	24V / 155A	
Various models				1277A870	24V / 155A	
Various models				1277A880	24V / 155A	
Various models				1277A890	24V / 155A	
Various models				1286700	24V / 180A	
Various models				1286B690	24V / 190A	

VDL

Citea MLE-88/180	2013		Cummins ISBe Euro6	1277A740	24V / 155A	
Citea MLE-88/180	2013		Cummins ISBe Euro6	1286B560	24V / 180A	
Citea MLE-88/180	2013		Cummins ISBe Euro6	880731BZ	24V / 180A	Recon
Futura FHD2-139/460	2013		Paccar (DAF) MX-13 340 Euro6	861335	24V / 150A	
Futura FMD2-129/330	2013		Paccar (DAF) MX-11 240 Euro6	861335	24V / 150A	
Futura HD2-129/370	2013		Paccar (DAF) MX-11 271 Euro6	861335	24V / 150A	
			Paccar (DAF) MX-11 Euro6	861335	24V / 150A	
			Paccar (DAF) MX-13 Euro6	861335	24V / 150A	



OUTPUT
V/A

NOTES / NOTAS /
ANMERKUNG

VOLVO

7700				860804GB	24V / 110A	
8700	1999.01		12.1ltr, 250kW, 280kW	860804GB	24V / 110A	
8700			12.1ltr	861344	24V / 130A	
8900	2016.08		D8K280 7.7L / 280hp	861333	24V / 150A	
8900	2016.08		D8K320 7.7L / 320hp	861333	24V / 150A	
8900	2016.08		D8K350 7.7L / 350hp	861333	24V / 150A	
8900 Low entry	2016.08		D8K280 7.7L / 280hp	861333	24V / 150A	
8900 Low entry	2016.08		D8K320 7.7L / 320hp	861333	24V / 150A	
8900 Low entry	2016.08		D8K350 7.7L / 350hp	861333	24V / 150A	
9500	2016.08		D8K320 7.7L / 320hp	861333	24V / 150A	
9500	2016.08		D8K350 7.7L / 350hp	861333	24V / 150A	
9700	2001.04		12.1ltr, 250kW, 280kW, 309kW, 338kW	860804GB	24V / 110A	
9700			12.1ltr	861344	24V / 130A	
9700			DC13C420 12.8L / 420hp	861332	24V / 150A	
9700			DC13C460 12.8L / 460hp	861332	24V / 150A	
9900	2001.1		12.1ltr, 309kW, 338kW	860804GB	24V / 110A	
9900			DC13C420 12.8L / 420hp	861332	24V / 150A	
9900			DC13C460 12.8L / 460hp	861332	24V / 150A	
B 6 F, FA	1978.11	1987.12	TD60A 5,5ltr, TD60B 5,5ltr	858884	24V / 55A	
B7				861077	24V / 100A	A4TA8191, A4TA8591
B7				861344	24V / 120A	A4TA8691
B 7 F	1999.01		D7A230, A285, D7B230, B260 6,7ltr	858884	24V / 55A	
B 7 F, L	1999.01		D7A230, A285, D7B230, B260 6,7ltr, D7C 7,0ltr	860562	24V / 80A	
B 7 F, L	1999.01		D7A230, A285, D7B230, B260 6,7ltr, D7C 7,0ltr	860562	24V / 80A	
B 7 L	1999.05		D7C 7,0ltr, D7C215, 250 7,0ltr	1277A680	24V / 155A	T1 140A
B 7 L	2001		D7C215, 250 7,0ltr	880703BZ	24V / 115A	AC203RA Double deck UK
B 7 L	2001		D7C215, 250 7,0ltr	880704BZ	24V / 180A	AC203RA Double deck
B 7 R	1997.6		D7A,B,C 7,0 ltr	860562	24V / 80A	South America only
B 7 TL	1999		D7C... 7,0ltr	880703BZ	24V / 115A	AC203RA 115A
B 9 (3 axle)	2004		B9TL 9 ltr	880704BZ	24V / 180A	Hong Kong and Singapore
B 9 R				860804GB	24V / 100A	
B 10 B	1993	1995	THD103 9.6ltr	880718Z	24V / 180A	1285622 AC203R-180-24-32
B 10 B				880704BZ	24V / 180A	1286500 AC203RA-180
B 10 B, BLE	1992.01	1996.01	DH10A, THD101G., 102K., 103., 104K. 10,0ltr	858884	24V / 55A	N1 55A
B 10 B, BLE	1992.01	1996.01	DH10A, THD101G., 102K., 103., 104K. 10,0ltr	860562	24V / 80A	N1 80A
B 10 B, BLE	1993		DH10A	880704BZ	24V / 180A	1286500 AC203RA-180
B 10 B, BLE				880640Z	24V / 115A	1285523 AC203R-115-24-2
B 10 B, BLE				880703BZ	24V / 115A	1286000 AC203RA-115

BUS & COACH APPLICATION GUIDE 2019

ALTERNATORS



OUTPUT
V/A

NOTES / NOTAS /
ANMERKUNG

VOLVO

B 10 L	1994	1996	THD104 9.6ltr	880701Z	24V / 115A	1285531 AC203R-115-24-29
B 10 L	1996		DH10A.. 9.6ltr	880703BZ	24V / 115A	1286000 AC203RA-115
B 10 L	1996		DH10A.. 9.6ltr	880704BZ	24V / 180A	1286500 AC203RA-180
B 10 M	1988.05		THD102KB 9,6ltr, THD102KF, THD103KB, KD, KF, THD104KB, KF 9,6ltr, DH10A245, 285, 340, 350, 360, GH10A180, B180, B210 9,6ltr	858884	24V / 55A	N1 55A
B 10 M	1988.05		THD102KB 9,6ltr, DH10A245, 285, 340, 350, 360, GH10A180, B180, B210 9,6ltr, THD102KF, THD103KB, KD, KF, THD104KB, KF 9,6ltr	860562	24V / 80A	N1 80A
B 10 M	1988.05		THD102KF, THD103KB, KD, KF, THD104KB, KF 9,6ltr	1277A680	24V / 155A	T1 140A
B 10 M	1993	1995	THD103	880718Z	24V / 180A	
B 10 M	1994		DH10A.. 9.60ltr	880704BZ	24V / 180A	1286500 AC203R 180A
B 10 M	1995.01		DH10A245, 285, 340, 350, 360, GH10A180, B180, B210 9,6ltr	1277A680	24V / 155A	T1 140A
B 10 M				880636Z	24V / 80A	AC203 unregulator
B 10 R	1984	1996	THD100D	880636Z	24V / 80A	AC203 unregulator
B 10 R	1984	1996	THD100D	880642Z	24V / 180A	AC203R-180-24-13
B11R	2011.09		DC11C330 10.8L / 330hp	861332	24V / 150A	
B11R	2011.09		DC11C370 10.8L / 380hp	861332	24V / 150A	
B11R	2011.09		DC11K380 10.8L / 380hp	861332	24V / 150A	
B11R	2011.09		DC11C410 10.8L / 410hp	861332	24V / 150A	
B 12	1991.09	1995.1	TD122FH, FL 12,0ltr, TD123E, ES 12,0ltr	858884	24V / 55A	N1 55A Vin >4999
B 12	1991.09	1995.1	TD122FH, FL 12,0ltr, TD123E, ES 12,0ltr	860562	24V / 80A	N1 80A Vin >1999
B 12	1991.09	1995.1	TD122FH, FL 12,0ltr	880640Z	24V / 115A	AC203R-115-24-2 Vin >4999
B 12	1991.09	1995.1	TD122FH, FL 12,0ltr	880703BZ	24V / 115A	AC203RA 115A Vin >4999
B 12	1991.09	1995.1	TD122FH, FL 12,0ltr	880704BZ	24V / 180A	AC203 180A Vin >4999
B 12	1992.06	1995.1	TD123E, ES 12,0ltr	880640Z	24V / 115A	AC203R-115-24-2 Vin >4999
B 12	1992.06		TD123E, ES 12,0ltr	880703BZ	24V / 115A	AC203RA 115A Vin >4999
B 12	1992.06		TD123E, ES 12,0ltr	880704BZ	24V / 180A	AC203 180A Vin >4999
B 12	1995.1		D12A340, 370, 380, 415, 420 12,0ltr	860551	24V / 80A	N1 80A Vin 5000>>
B 12	2006.02	>>	12.1ltr, 250kW, 280kW, 309kW, 338kW	860804GB	24V / 110A	
B 12			12.1ltr	861344	24V / 130A	
B 12 B	2001.06		DH12D340, D380, D420, D425 12,0ltr	1277A650	24V / 155A	T1 140A
B 12 B	2001.06		DH12D340, D380, D420, D425 12,0ltr	860551	24V / 80A	N1 80A J-180 mounting
B 12 B	2001.06		DH12D340, D380, D420, D425 12,0ltr horizontal	880703BZ	24V / 115A	AC203RA 115A
B 12 B	2001.06		DH12D340, D380, D420, D425 12,0ltr horizontal	880704BZ	24V / 180A	AC203 180A



OUTPUT
V/A

NOTES / NOTAS /
ANMERKUNG

VOLVO

C 10 M	1984	1987		880640Z	24V / 115A	AC203R
Olympian			Volvo engine	880703BZ	24V / 115A	1286000
Olympian			Volvo engine	880712BZ	24V / 115A	1286010
Super Olympian (6x2)	2004		D10A 10,0ltr	1286B570	24V / 180A	for Hong Kong
Super Olympian (6x2)		2004	D10A 10,0ltr	880704BZ	24V / 180A	for Hong Kong
Super Olympian (6x2)			Cummins L10	1283211	24V / 265A	
Super Olympian (6x2)			Cummins L10	1283232	24V / 265A	
Sutrak Air Conditioning				66021507	24V / 55A	Air Conditioning
Sutrak Air Conditioning				8SC3133U	24V / 100A	Air Conditioning
Sutrak Air Conditioning				8SC3157V	24V / 175A	Air Conditioning

WRIGHT BUS

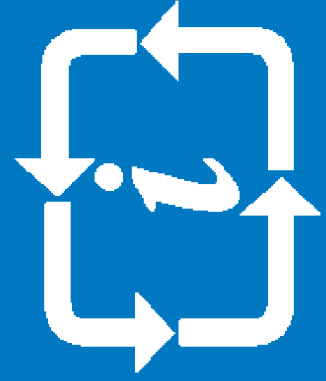
Gemini 2DL	2010		Cummins ISBe 6cyl 250hp	AVI147S3108HD	24V / 120A	
StreetLite	2010		Cummins ISBe	1277A740	24V / 155A	
StreetLite	2010		Cummins ISBe	1286B560	24V / 180A	Aircon only
StreetLite	2010		Cummins ISBe	880731BZ	24V / 180A	Recon
StreetLite	2014			AVI150S1109HP	24V / 180A	
StreetDeck (Double decker)	2015			AVI150S1109HP	24V / 180A	

YUTONG

EC12			Paccar (DAF) Euro6	861335	24V / 150A	
IC9			Cummins ISBe Euro6	AVI147S3108HD	24V / 120A	
Mini Bus				AVI144C3008	24V / 100A	16-20 seater
Mixte 6129			Cummins ISL Euro5	1277A730	24V / 155A	
ZK6100HB			Cummins C	1277A730	24V / 155A	AC172RA301A
ZK6118HG			Yuchai YC6A 260-21	8SC3110VC	24V / 150A	Batteryless
ZK6118HG			Yuchai YC6A 260-20	8SC3238VC	24V / 150A	8SC3238VC11
ZK6119HA			Cummins C	1277A730	24V / 155A	AC172RA301A
ZK6119HA			Cummins C	8SC3110VC	24V / 150A	Batteryless
ZK6737D			DCEC 4B (Cummins China)	JFZ2710F	24V / 70A	
ZK6831				JFZ2105D	24V / 100A	35 seater

ZHONGTONG

LCK6112G			Yuchai YC6G 300-20	8SC3110VC	24V / 150A	Batteryless
LCK6112G			Yuchai YC6G 300-20	JFZ2710F	24V / 70A	Re-use original pulley
LCK6115H			Yuchai YC6G 300-20	8SC3238VC	24V / 150A	Batteryless



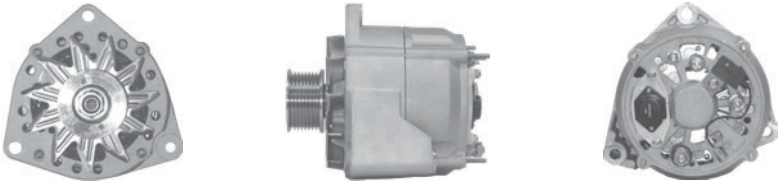
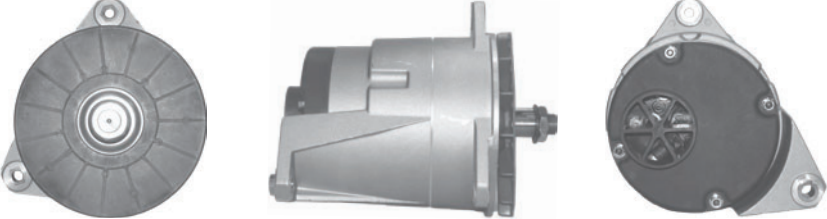


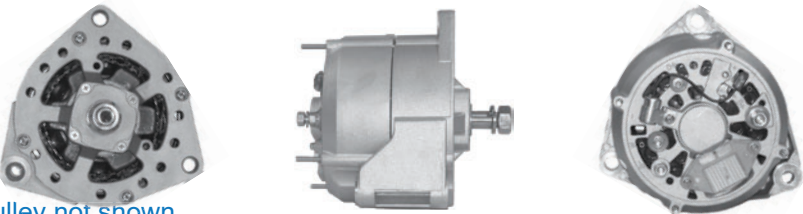
BUS & COACH BUYER'S GUIDE 2019

ALTERNATORS



Alternator Buyer's Guide

858783	24V	55A	ER / G	17mm	CW	-	MAN - 8, 9, 11, 13, 16, 18, 22, 24, NM, R, SG, SM, SR, SU, UL Series MERCEDES-BENZ - O 309 D
							Regulator 860912
858882	24V	55A	ER / G	17mm	CW	-	SCANIA - 82, 92, 112, 93 Series
<p>CW fan not shown</p>							Regulator 860913
858884	24V	55A	ER / G	17mm	CW / CCW	-	VOLVO - B6F/FA, B7F, B10B, B10BLE, B10M, B12
							Regulator 860913
859020	24V	55A	ER / G	17mm	CW / CCW	-	MAN - 8, 91, 12, 14 Series
							Regulator 860912
860143	24V	55A	ER / G	17mm	CW	-	MAN - 8, 9, 16, 22, 24, R, SG, SR, SU Series MERCEDES-BENZ - OF 366, A, OH 366 A
<p>Pulley for illustration only</p>							Regulator 860912
860157	24V	55A	ER / G	17mm	CW / CCW	-	SCANIA - 82, 92, 112, 93, 113 Series
							Regulator 860913

860167	24V	35A	ER / G	17mm	CW / CCW	-	MAN - 11, 13, NM, SM Series
 <p>Pulley for illustration only</p>							
860340	24V	155A	ER / G	30mm	CW / CCW	-	SCANIA - 94, 114, 124 Series
							
860551	24V	80A	ER / G	17mm	CW	8pV, 61mm	VOLVO - B12, B12B
 <p>Pulley not shown</p>							Regulator 860913
860557	24V	65A	ER / G	17mm	CW / CCW	-	SCANIA - 94, 114, 124 Series
							Regulator 860913
860558	24V	80A	ER / G	17mm	CW	Double V, 97mm	SCANIA - 94, 114, 124 Series
 <p>Pulley not shown</p>							Regulator 860912
860559	24V	80A	ER / G	17mm	CW	9pV, 77mm	MERCEDES-BENZ - 1417, 1420, 1620, 1621, 1721 OPTARE - Solo
 <p>Fan and pulley not shown</p>							Regulator 860912







BUS & COACH BUYER'S GUIDE 2019

ALTERNATORS



Alternator Buyer's Guide

860560	24V	80A	ER / G	17mm	CW	Single V, 89mm	SCANIA - 82, 92, 112, 93 Series
<p>Fan and pulley not shown</p>							Regulator 860913
860561	24V	80A	IR	17mm	CW	-	IRISBUS - Agora, Iliade
<p>Fan not shown</p>							Regulator 860914
860562	24V	80A	ER / G	17mm	CW	-	VOLVO - B7F/L/R, B10B, B10BLE, B10M, B12
<p>Fan and pulley not shown</p>							Regulator 860913
860563	24V	100A	ER / G	17mm	CW / CCW	-	MERCEDES-BENZ - Citaro, Cito, Conecto, Intouro
							Regulator 860912
860608	24V	95A	IR	7/8"	CW	8pV, 80mm	DENNIS - Dart MCW BUSES - Metrorider OPTARE - Metrorider
860706GBA	24	90A	ER / G	17mm	CW	6pV, 62mm	IVECO - Eurostar, EuroTech, EuroTrakker, Euro3, Euro4, F2B RENAULT - Recreo (Cursor 8 engine)
							Regulator 861050 Also see 861284

860710GBA	24V	90A	ER / G	17mm	CW	10pV, 62mm	HEULIEZ - GX317, GX327 IRISBUS - Citelis IVECO - Eurostar, EuroTech, EuroTrakker, Euro3, Euro4, F2B RENAULT - Axer, Ares, Recreo (Cursor 8 engine) Regulator 861050 Also see 861285
							
860712GBA	24V	90A	ER / G	17mm	CW	12pV, 68mm	IRISBUS - Evadys IVECO - Eurostar, EuroTech, EuroTrakker, Euro3, Euro4, F2B RENAULT - Recreo (Cursor 8 engine) Regulator 861050 Also see 861286
							
860804GB	24V	110A	ER / G	17mm	CW	8pV, 68mm	VOLVO - 8700, 9700, 9900, B9, B12 120A Upgrade versions available AVi147S3110HD (no pulley) AVi147S3120HD (with pulley) Regulator 861028
							
860807GB	24V	110A	ER / G	17mm	CW	9pV, 77mm	MERCEDES-BENZ - Citaro, Vario, LK/LN2 OPTARE - Solo (Mercedes-Benz engine) Regulator 861028 Pulley supplied loose in box (9pk, 77mm)
							
860808GB	24V	110A	ER / G	17mm	CW	-	MAN - Lion's Star, Lion's Coach, SU
							
860809GB	24V	110A	ER / G	17mm	CW	-	OPTARE - Solo SOLARIS - Urbino 12, 18 (DAF engine) Regulator 861025
							

BUS & COACH BUYER'S GUIDE 2019

ALTERNATORS



Alternator Buyer's Guide

860810GB	24V	110A	ER / G	17mm	CW	8pV, 55mm	DENNIS / ADL OPTARE - Solo (Cummins engine) 120A Upgrade versions available AVi147S3108HD Regulator 861028
860811GB	24V	110A	ER / G	17mm	CW	-	OPTARE - Solo (MAN engine) Regulator 861022
861066GB	24V	112A	ER / G	17mm	CW	8pV, 86mm	BOVA - Magiq, Synergy DAF - MX11 / MX13 engine SOLARIS - Vacanza VAN HOOL - TX16 Alicron
861001	24V	35A	ER / G	17mm	CW	Single V, 81mm	IKARUS - 250, 266, 350, 365
861077	24V	100A	ER / G		CW	10pV, 64mm	VOLVO - B7 Regulator 861074
A004TA8591 							
861078	24V	110A	ER / G		CW	8pV, 81.8mm	VOLVO Regulator 861287
A004TR5591 							

861079	24V	100A	ER / G		CW	8pV, 72mm	SCANIA
A004TR5491							Regulator 861287
861279GB	24V	120A	ER / G	17mm	CW / CCW	-	MAN - Lion's Star, Lion's Coach
							Regulator 861022
861284	24	90A	ER / G	17mm	CW	6pV, 62mm	IVECO - Eurostar, EuroTech, EuroTrakker, Euro3, Euro4, F2B RENAULT - Recreo (Cursor 8 engine)
							Regulator 861270
861285	24V	90A	ER / G	17mm	CW	10pV, 62mm	HEULIEZ - GX317, GX327 IRISBUS - Citelis IVECO - Eurostar, EuroTech, EuroTrakker, Euro3, Euro4, F2B RENAULT - Axer, Ares, Recreo (Cursor 8 engine)
							Regulator 861270
861286	24V	90A	ER / G	17mm	CW	12pV, 69mm	IRISBUS - Evadys IVECO - Eurostar, EuroTech, EuroTrakker, Euro3, Euro4, F2B RENAULT - Recreo (Cursor 8 engine)
							Regulator 861270
861291	24V	110A	ER / G		CW	8pV, 71.6mm	VOLVO
A004TR5592							Regulator 861287
							



BUS & COACH BUYER'S GUIDE 2019

ALTERNATORS



Alternator Buyer's Guide

861298	24V	100A	ER / G		CW	10pV, 88mm	SCANIA
A004TR5691 							Regulator 861302
861309Z	24V	140A	IR	30mm	CW	DoubleV, 105mm	IKARUS Bus
							Regulator 860915
861311	24V	100A	ER / G	17mm	CW	-	MERCEDES-BENZ - Citaro U (O 530)
861330	24V	150A	ER / G	17mm	CW	-	MERCEDES-BENZ
861331	24V	150A	ER / G	17mm	CW	-	MERCEDES-BENZ - Citaro U (O 530)
861332	24V	150A	ER / G	17mm	CW	8pV, 63mm	VOLVO - 9700, 9900, B11R

861333	24V	150A	ER / G	17mm	CW	10pV, 55mm	VOLVO - 8900, 8900 Low Entry, 9500
							
861334	24V	150A	ER / G	17mm	CW	-	MERCEDES-BENZ - Citaro U (O 530)
							
861335	24V	150A	ER / G	17mm	CW	8pV, 86mm	DAF / VDL
 <p>Pulley Not shown</p>							
861336	24V	150A	ER / G	17mm	CW	-	MERCEDES-BENZ - Citaro U (O 530)
							
861338	24V	140A	IR	30mm	BI-DIR	-	IVECO - 370, 370.2, 370.24, 370.30, 370.35 370.S30, EuroRider
 <p>Regulator 860917</p>							
861340	24V	120A	ER / G	17mm	CW	6pV, 62mm	IVECO
 <p>Regulator 861287</p>							

BUS & COACH BUYER'S GUIDE 2019







ALTERNATORS



Alternator Buyer's Guide

861341	24V	120A	ER / G	17mm	CW	10pV, 62mm	IVECO
							Regulator 861287
861342	24V	120A	ER / G	17mm	CW	12pV, 69mm	IVECO
							Regulator 861287
861343	24V	120A	ER / G	17mm	CW	10pV, 64mm	DEUTZ VOLVO
							Regulator 861074
861344	24V	130A	ER / G	17mm	CW	8pV, 82mm	VOLVO
							Regulator 861287
861366	24V	100A	ER / G	17mm	CW / CCW	8pV, 57mm	MERCEDES-BENZ
							Regulator 860912
880636Z	24V	80A	IR	25mm Taper	CW / CCW	-	DAB - 12-series LEYLAND - Atlantean, Fleetline MCW BUSES - Metrobus OPTARE - Solo VOLVO - B10M, B10R

1284105



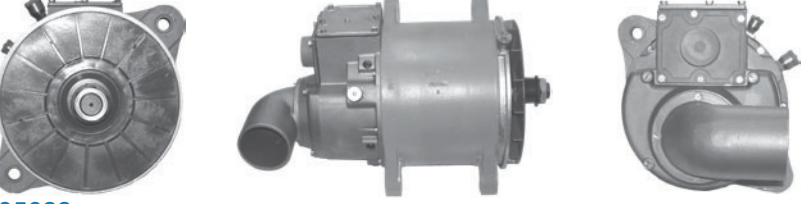



880640Z  1285523	24V	115A	IR	30mm	CW / CCW	-	DENNIS - Dragon LEYLAND - Olympian SCANIA - 113 Series VOLVO - B10B, B10BLE, B12, C10M
880641Z  1285527	24V	115A	IR	30mm	CW / CCW	-	BRISTOL - VR LEYLAND - Lynx, Olympian, Royal Tiger, Tiger MCW BUSES - Metrobus VOLVO - B10M, B10R, Olympian
880642Z  1285600	24V	180A	IR	30mm	CW / CCW	-	LEYLAND - Royal Tiger VOLVO - B10R
880700Z  1284008	24V	60A	IR	25mm Taper	CW / CCW	-	LEYLAND - National, Olympian, Titan
880701Z  1285531	24V	115A	IR	30mm	CW / CCW	-	VOLVO - B10B, B10L, B10M
880703BZ  1286B000 (New)	24V	115A	ER / G	30mm	CW / CCW	-	VOLVO - B7L, B10B, B10BLE, B10L, B12, B12B, Olympian

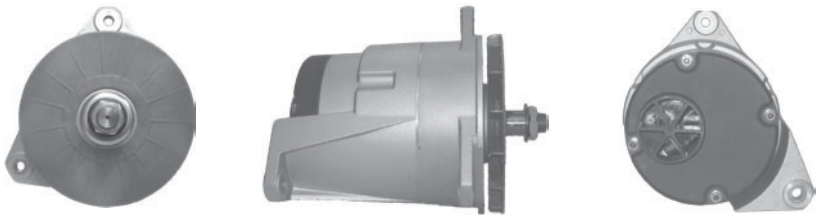





BUS & COACH BUYER'S GUIDE 2019

ALTERNATORS



Alternator Buyer's Guide

880704BZ	24V	180A	ER / G	30mm	CW / CCW	-	VOLVO - B7L, B9, B10B, B10BLE, B10L, B10M, B12, B12B, Olympian
 <p>1286B500 (New)</p>							
880712BZ	24V	115A	ER / G	30mm	CW / CCW	-	VOLVO - Olympian
 <p>1286B010 (New)</p>							
880718Z	24V	180A	IR	30mm	CW / CCW	-	IKARUS - E94G SCANIA - N 113 ALB, CLB, CLL/ CRL, DRB VOLVO - B10B, B10M
 <p>1285622</p>							
880725BZ	24V	180A	ER / G	30mm	CW / CCW	-	DENNIS - R series
 <p>1286B510 (New)</p>							
880731BZ	24V	80A	ER / G	25mm Taper	CW / CCW	-	ADL / DENNIS VDL - Citea MLE-88/180 WRIGHT BUS - Streetlite
 <p>1286B560</p>							
1277520	24V	80A	IR	30mm	CW / CCW	-	IRISBUS - P100/180
							

1277A640	24V	155A	ER / G	30mm	CW / CCW	-	KÄSSBOHRER - S200, S300 Series MERCEDES-BENZ - Citaro, Conecto, Integro, Intouro, Tourismo, Travego Travego O 580 RH- 15/RHD- 15, RHD 17 NEOPLAN - Skyliner OTOMARSAN - O 302 SCANIA - 112 Series
							
1277A650	24V	155A	ER / G	30mm	CW / CCW	-	MERCEDES-BENZ - Citaro, Cito, Conecto, Intouro, Tourismo, Touro, Travego VOLVO - B 12 B
							
1277A670	24V	155A	ER / G	30mm	CW / CCW	-	KÄSSBOHRER - S200, S300 Series
							
1277A680	24V	155A	ER / G	30mm	CW / CCW	-	DEUTZ - Various engines (AC172TRA6A) IRISBUS - Agora, Arés, Iliade, Tracer VAN HOOL - Various models VOLVO - B7L, B10M (Includes AC172TRA6A)
							
1277A690	24V	155A	ER / G	30mm	CW / CCW	-	MAN - 10, 11, 16, EL, EM, NL, NM, R, SD, SG, SL, SM, SR, SU, UL
							
1277A700	24V	155A	ER / G	30mm	CW / CCW	-	AYATS - Bravo MAN - Lion's Coach SCANIA - 82, 92, 112, 93, 113 Series
							


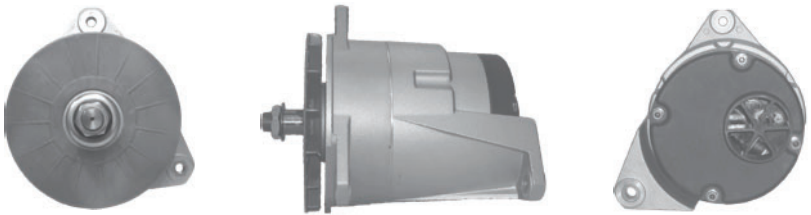
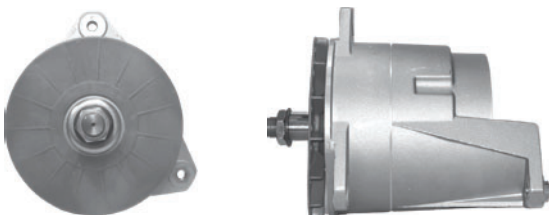
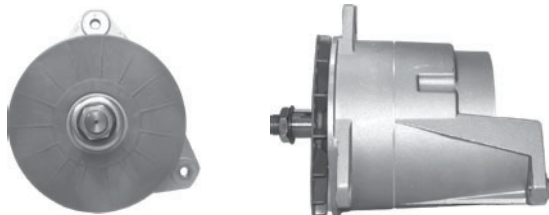
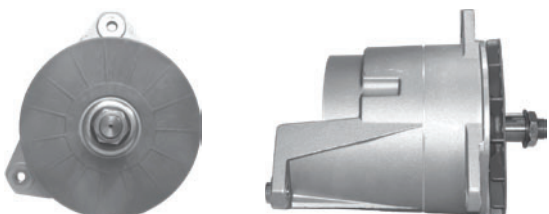
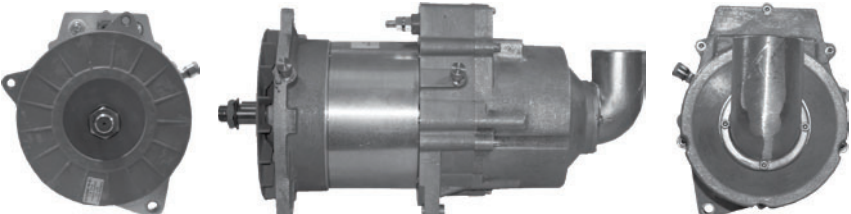
BUS & COACH BUYER'S GUIDE 2019

ALTERNATORS



Alternator Buyer's Guide

1277A720	24V	155A	ER / G	30mm	CW / CCW	-	MAN - 10, 11, 13, 14, 16, 18, 22, 24, EL, ND, NG, NL, NM, NU, R, RH, RN, RU, SD, SG, SL, SM, SR, SU, UL NEOPLAN - Skyliner VAN HOOL - Various models
1277A730	24V	155A	IR	30mm	CW / CCW	-	AEC - Routemaster CUMMINS - Various engine DENNIS - Enviro 200, 30, 400, Javelin, Lance, Trident HIGER - S7-S8, XMQ6121G EU IKARUS - SD41102K IRISBUS - FR1, Illiade, Tracer KING LONG - XMQ6127EU (Euro4) MAN - NÜ 263 Lion's City Ü OPTARE - Bova Futura YUTONG - ZK6100HB, ZK6119HA
<p>Various pulley options fitted to vehicles (AC172RA301A, AC172RA302A). Base alternator 1277A730 supplied without pulley, re-use original pulley.</p>							
1277A740	24V	155A	IR	30mm	CW / CCW	-	BMC CUMMINS - Various engine DENNIS - Dart, Enviro 200, 300, 400, Javelin, Pointer HIGER - KLQ6108GQ, KLQ6109Q, KLQ6856E3, KLQ6896E3, FLQ6896QE3 IRISBUS - P100/180 KING LONG - XMQ6900/Y OPTARE - Metro Rider AC PLAXTON - Primo SCANIA - 113 Series VAN HOOL - Various models
<p>Various pulley options fitted to vehicles (AC172RA308B, AC172RA343B, AC172RA363B). Base alternator 1277A740 supplied without pulley, re-use original pulley.</p>							
1277A750	24V	155A	IR	30mm	CW / CCW	-	DENNIS - Trident II
1277A760	24V	155A	ER / G	30mm	CW / CCW	-	AYATS - Bravo BOVA - Ventura DENNIS - Javelin MAN - 11, 12, 13, 14, 18, 24, EL, EM, Lion's City, ND, HG, NL, NM, NU, R, RH, RHC, RHS, SG, SL, SM, SU, UL NEOPLAN - Tourline 2216 SHD, 2216/3 SHD-L

1277A810	24V	155A	IR	30mm	CW / CCW	-	AEC - Routemaster DENNIS - Javelin
							
1277A840	24V	155A	ER / G	30mm	CW / CCW	-	DAF - SB220, SB220GS, SB3000
							
1277A870	24V	155A	ER / G	30mm	CW / CCW	-	VAN HOOL - Various models
							
1277A880	24V	155A	ER / G	30mm	CW / CCW	-	VAN HOOL - Various models
							
1277A890	24V	155A	ER / G	30mm	CW / CCW	-	VAN HOOL - Various models
							
1283211	24V	265A	IR	30mm	CW	-	DENNIS - Dragon
							Cradle / Strap mounted version = 1283232

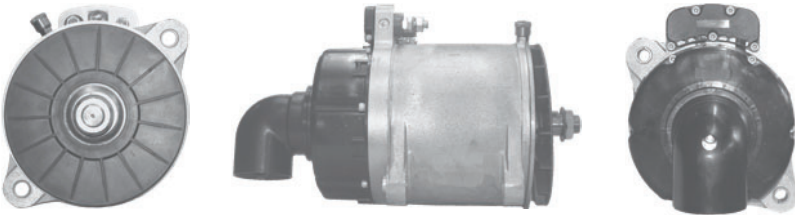
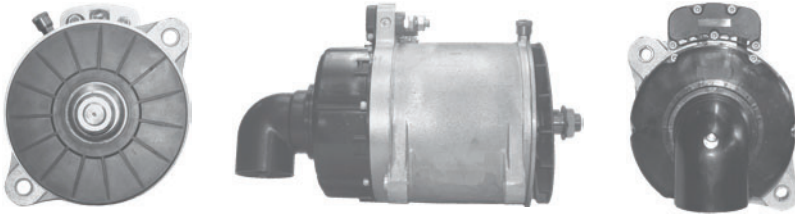

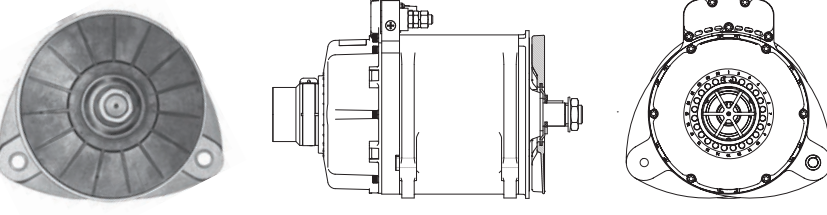


BUS & COACH BUYER'S GUIDE 2019

ALTERNATORS



Alternator Buyer's Guide

1283232	24V	265A	IR	30mm	CW	-	DENNIS - Dragon
1286700	24V	180A	IR	30mm	CW / CCW	-	MAN - Tracer
1286B620							
1286B510	24V	180A	ER / G	30mm	CW / CCW	-	DENNIS / ADL
Recon 880725Z							
1286B560	24V	180A	ER / G	30mm	CW / CCW	-	DENNIS / ADL
1286B570	24V	180A	IR	30mm	CW / CCW	-	DENNIS - Trident VOLVO - Super Olympian (6x2) NEOPLAN - Airport bus
1286B580	24V	200A	ER / G	30mm	CW / CCW	-	DENNIS / ADL

1286B590	24V	180A	ER / G	30mm	CW / CCW	-	DENNIS - Trident III
							
1286B640	24V	190A	ER / G	30mm	CW / CCW	-	DENNIS / ADL
							
1286B670	24V	200A	ER / G	30mm	CW / CCW	-	DENNIS / ADL
							
1286B690	24V	190A	ER / G	30mm	CW / CCW	-	VAN HOOL - Various models
							
20100719	12V	70A	ER / G	17mm	CW	6pV, 55mm	MERCEDES-BENZ - O 100 City
							
20100721	12V	70A	ER / G	17mm	CW	6pV, 63.5mm	MERCEDES-BENZ - O 100 City
							





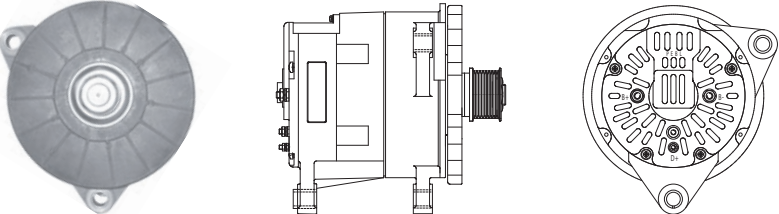
BUS & COACH BUYER'S GUIDE 2019

ALTERNATORS



Alternator Buyer's Guide

20100723	12V	85A	ER / G	17mm	CW	6pV, 56mm	MERCEDES-BENZ - O 100 City
20110217	12V	90A	ER / G	17mm	CW	6pV, 55mm	MERCEDES-BENZ - O 100 City
20130237	12V	90A	ER / G	17mm	CW	6pV, 50mm	MERCEDES-BENZ - Sprinter bus
66021507	24V	55A	IR	3/4"	CW / CCW	-	BEDFORD - VAM-YRT, YLQ-YMT-YNT BRISTOL BUS - VRT3 VOLVO - Sutrak Air Conditioning
8LHA3013UC 03	24V	110A	ER / G	7/8"	CW	Double V, 112mm	DEUTZ - Various engines
Pulley not shown							
8LHA3096U	24V	110A	IR	7/8"	CW	-	OPTARE - Bus

8LHA3096UC	24V	110A	IR	7/8"	CW	-	<p>DEUTZ - Various engine CUMMINS - Various engine HIGER - KLQ6885, KLQ6856Q</p> <p>Various pulley options fitted to vehicles (8LHA3096UC14, 8LHA3096UC23). Base alternator 8LHA3096UC supplied without pulley, re-use original pulley. Could also use 8LHA3096U.</p>
							
AVi143J3004	24V	110A	ER / G	7/8"	CW	-	<p>VARIOUS - Alternative to 8LHA3096U & 8LHA3096UC</p>
							
8SC3110VC	24V	150A	IR	7/8"	CW	-	<p>CHINESE BUS - 6126N (8SC3110VC64) GOLDEN DRAGON - XML6121E1A/G YUTONG - ZK6118HG (8SC3110VC 09/42) ZHONGTONG - LCK6112G (8SC3110VC 06)</p> <p>Various pulley options fitted to vehicles (8SC3110VC06, 8SC3110VC09, 8SC3110VC42, 8SC3110VC64, 8SC3110VC65). Base alternator 8SC3110VC supplied without pulley, re-use original pulley. Could also use 8SC3110V or 8SC3200V.</p>
							
8SC3133U	24V	100A	IR	7/8"	CW	-	<p>AEC - Routemaster LEYLAND - Olympian VOLVO - Sutrak Air Conditioning</p>
 <p>Was 8SC3014U (110-298)</p>							
8SC3141VC	24V	140A	IR	30mm	CW / CCW	-	<p>GOLDEN DRAGON - XML6121E1A KING LONG - XMQ6127HB (8SC3141VC B2)</p> <p>Pulley shown for illustration only. Various pulley options fitted to vehicles (8SC3141VCA1, 8SC3141VCB2). Base alternator 8SC3141VC supplied without pulley, re-use original pulley.</p>
							




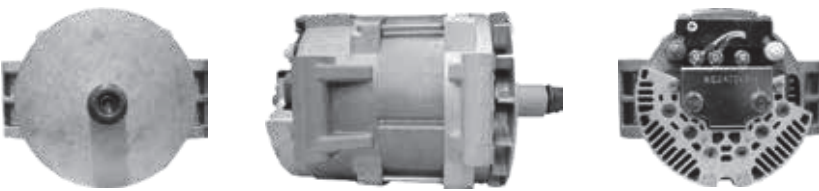
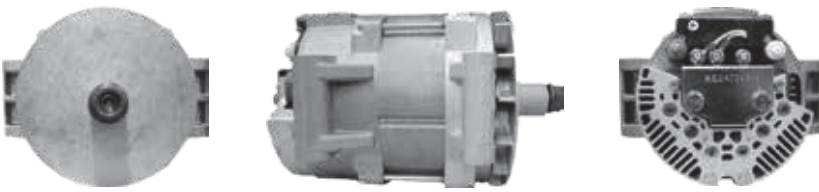

BUS & COACH BUYER'S GUIDE 2019

ALTERNATORS



Alternator Buyer's Guide

8SC3150VC	24V	150A	IR	7/8"	CW	-	<p>KING LONG - XMQ6127EU, XMQ6127HB, XMC6210H, XMQ6900</p> <p>Various pulley options fitted to vehicles. Base alternator 8SC3150VC supplied without pulley, re-use original pulley</p>
8SC3157V	24V	175A	IR	7/8"	CW	-	<p>AEC - Routemaster VOLVO - Sutrak Air Conditioning</p>
<p>Was 8SC3009ZA (110-258)</p>							
8SC3200V	24V	150A	IR	7/8"	CW	-	<p>CHINESE BUS - 6126N (8SC3110VC64) GOLDEN DRAGON - XML6121E1A/G YUTONG - ZK6118HG (8SC3110VC 09/42) ZHONGTONG - LCK6112G (8SC3110VC 06)</p> <p>Various pulley options fitted to vehicles (8SC3110VC06, 8SC3110VC09, 8SC3110VC42, 8SC3110VC64, 8SC3110VC65). Base alternator 8SC3110VC supplied without pulley, re-use original pulley. Could also use 8SC3110V or 8SC3200V.</p>
8SC3238VC	24V	150A	IR	7/8"	CW	-	<p>DEUTZ - Various engine (8SC3238VCB15) HIGER - S7-S8 KING LONG - XMQ6210H (8SC3238VC39) YUTONG - ZK6118HG (8SC3238VC11) ZHONGTONG - LCK6115H (8SC3238VC06)</p> <p>Various pulley options fitted to vehicles (8SC3238VC06, 8SC3238VC11, 8SC3238VC39, 8SC3238VC40, 8SC3238VCB15). Base alternator 8SC3238VC supplied without pulley, re-use original pulley.</p>
8SC3240VC 01	24V	150A	ER / G	7/8"	CW	8pk, 66mm	<p>HIGER - S7-S8</p> <p>Various pulley options fitted to vehicles. Base alternator 8SC3240VC supplied without pulley, re-use original pulley.</p>

A0012800LC	12V	160A	IR	7/8"	CW / CCW	-	SCHOOL BUS (USA)
							
A0014836LGH	12V	185A	ER	7/8"	CW	-	SCHOOL BUS (USA)
							
A0014867JB	12V	270A	ER	7/8"	CW	-	SCHOOL BUS (USA)
							
A0014949PA	12V	270A	ER	7/8"	CW	-	SCHOOL BUS (USA)
							
A0014962PA	12V	320A	ER	7/8"	CW	-	SCHOOL BUS (USA)
							
A009TU5591A	24V	150A	ER	30mm	CW	8pV, 86mm	SCANIA
							



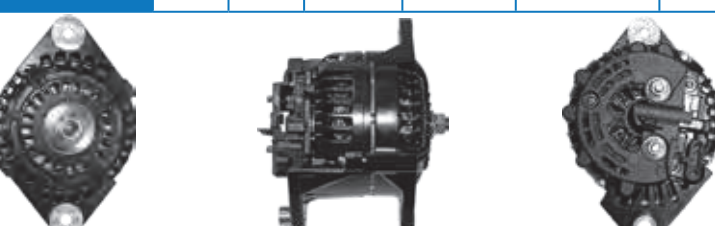



BUS & COACH BUYER'S GUIDE 2019

ALTERNATORS



Alternator Buyer's Guide

A009TU6499	24V	150A	ER	30mm	CW	10pV, 106mm	SCANIA
AVE2119-E	24V	110A	IR	7/8"	CW	8pV, 64mm	VALDAY - Bus PAZ - Bus CUMMINS - ISF 3.8 litre engine
AVE2110D3	24V	110A	IR	7/8"	CW	8pV, 69mm	GOLDEN DRAGON - Bus
AVE2716H1	24V	70A	ER / G		CW	Single V, 82.5mm	DEUTZ - Various engine
AVI136A101	24V	70A	ER / G	20mm	CW	8pV, 55mm	CUMMINS - Various engine
AVi1441F11	12V	150A	ER / G	20mm	CW	4pV, 60mm	HIGER - S7-S8
<p>Pulley not shown</p>							

AVi144B2008	12V	150A	ER / G	20mm	CW	Double V, 75mm	DEUTZ - Various engine
 <p>Pulley not shown</p>							
AVi147J3110HD	24V	120A	ER / G	17mm	CW / CCW	-	VOLVO - 8700, 9700, 9900, B9, B12 AVi147S3020HD with pulley (8pk, 61mm)
							
AVi147J3120HD	24V	120A	ER / G	17mm	CW / CCW	8pV, 61mm	VOLVO - 8700, 9700, 9900, B9, B12
 <p>Pulley not shown</p>							
AVi147S3108HD	24V	120A	ER / G	17mm	CW / CCW	8pV, 55mm	DENNIS / ADL CUMMINS SOLARIS WRIGHT BUS
							
AVi150S1109HD	24V	180A	ER / G	17mm	CW	8pV, 55mm	WRIGHT BUS - Streetlite
							
AVi160J2004	12V	240A	IR	7/8"	CW / CCW	-	SCHOOL BUS (USA)
							


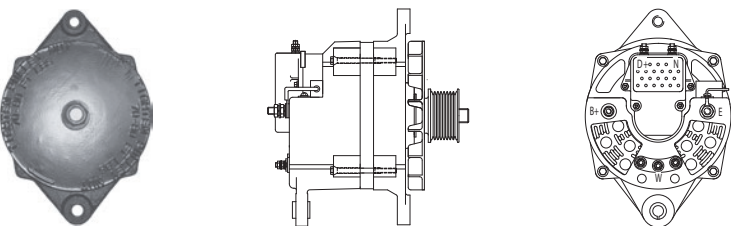
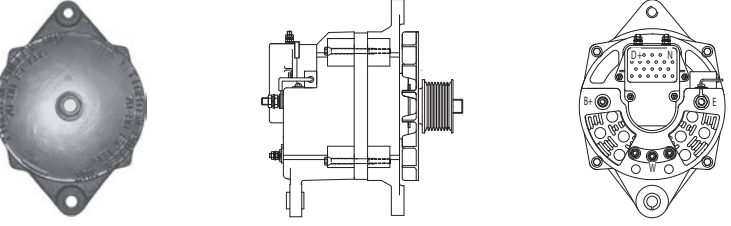
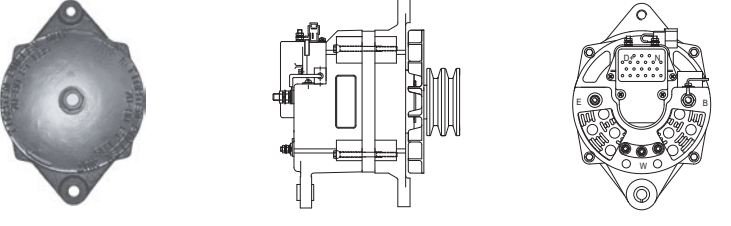
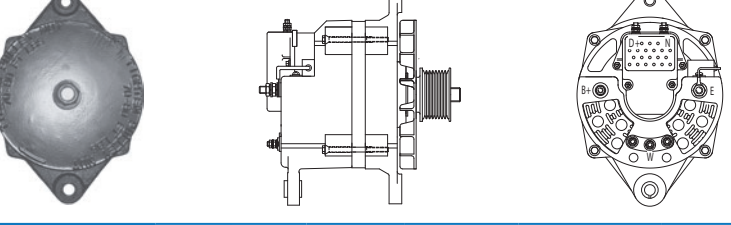

BUS & COACH BUYER'S GUIDE 2019

ALTERNATORS



Alternator Buyer's Guide

AVi160J2008	12V	210A	IR	7/8"	CW / CCW	-	SCHOOL BUS (USA)
AVi160P2003	12V	240A	IR	7/8"	CW / CCW	-	SCHOOL BUS (USA)
AVIC2002	12V	150A	ER / G	20mm	CW	9pV, 56mm	GAZ - GAZel bus CUMMINS - ISF 2.8 engine
BLP3312	24V	140A	IR	7/8"	CW	-	VAN HOOL - Various models
JFZ275	24V	70A	ER / G		CW	8pV, 60mm	CUMMINS - Various engine
JFZ276L	24V	70A	ER / G		CW	Double V, 80m	DEUTZ - Various engine

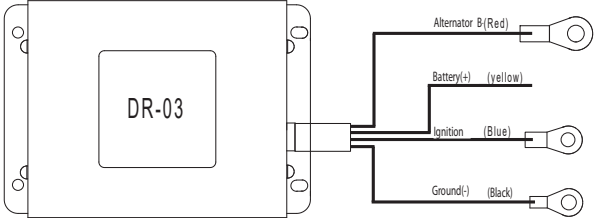


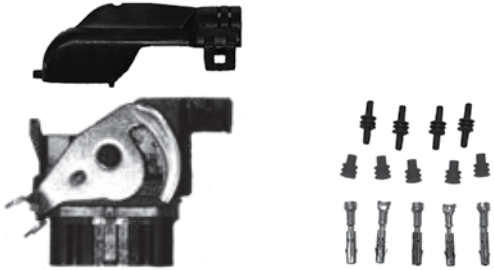
JFZ276W	24V	70A	ER / G		CW	8pV, 60mm	CUMMINS - Various engine
							
JFZ291D9	24V	90A	ER / G	7/8"	CW	8pV, 60mm	GOLDEN DRAGON - XML6121E1G
							Similar to JFZ295D, but B+ / E changed position
JFZ295D	24V	90A	IR	7/8"	CW	8pV, 60mm	GOLDEN DRAGON - Bus
							Similar to JFZ291D9, but B+ / E changed position
JFZ2101S-C	24V	100A	IR	7/8"	CW	Twin V, 80mm	HIGER - KLQ6728, S7-S8
							
JFZ2105D	24V	100A	ER / G	7/8"	CW	8pV, 60mm	
							
JFZ2710F	24V	70A	ER / G		CW	8pV, 60mm	YUTONG - ZK6737D ZHONGTONG - LCK6112G (JFZ2710A2)
							

BUS & COACH BUYER'S GUIDE 2019

ALTERNATORS



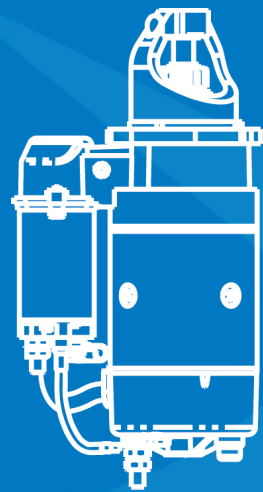
ADDITIONAL EQUIPMENT

DR-03	Capacitance box	24V	150A	Surge protection device used with batteryless alternators.	
					
861326OE	(OAP) Clutch Pulley	30mm	CW	10pV, 100mm	MERCEDES-BENZ
					
861367	(OAP) Clutch Pulley	30mm	CW	9pV, 90mm	MERCEDES-BENZ
					
6524-4	Plug Kit			<ul style="list-style-type: none"> - AVI147 alternators - AVI150 alternators - Bosch NCB1 (80A) equivalent alternators - Bosch NCB2 (110A) equivalent alternators - Bosch HD10 (150A) equivalent alternators - MAN NCB (860713GB) alternator - Mitsubishi equivalent alternators (861077, 861078, 861079, 861291, 861298) 	
					

Alternator Buyer's Guide



BUS & COACH BUYER'S GUIDE 2019 ALTERNATORS



BUS & COACH APPLICATION GUIDE 2019 STARTER MOTORS



OUTPUT
V / KW

NOTES / NOTAS /
ANMERKUNG

AEC						
Kudu	1970			MS1-410A	24V / 8.3kW	Option M105R3505SE
Reliance	1969	1976	760	MS1-410A	24V / 8.3kW	Option M105R3505SE
Routemaster			Cummins C	MS3-503	24V / 7.5kW	was MS3-458A
Routemaster				860505GB	24V / 6.6kW	
ALEXANDER DENNIS (ADL)						
Arrow			Cummins C	1327A581	24V / 7.8kW	was 870665Z
Dart	1987		Cummins 6BTA	MS4-401	24V / 5.5kW	was 858217
Dart	1996		Cummins 6BTA	MS4-400	24V / 5.5kW	was 859532
Dart	2003		Cummins ISBe Euro 3 4cyl.	MS4-400	24V / 5.5kW	
Dart	2003		Cummins ISBe Euro 3 6cyl.	MS4-400	24V / 5.5kW	
Dart			Cummins ISBe4 3.9ltr, 6 5.9ltr (Euro 2,3,4)	MS4-400	24V / 5.5kW	
Dart			Cummins w/ZF transmission	MS4-407	24V / 5.5kW	
Dart			Cummins engine	M96R3019SE	24V / 5.0kW	was 35262410
Dominant	1971	1979	Leyland 6:98 5655ccm	20500137	12V / 2.8kW	
Dominant	1972	1979	Perkins 6.354 5791ccm	20500106	12V / 2.8kW	12V M50/127
Dominant	1972	1979	Perkins 6.354 5791ccm	1327A411	24V / 7.8kW	was 870648Z
Dominant	1979	1996	Perkins 6.354 5791ccm	20500968	12V / 2.8kW	12V M50/127
Dominator	1984	1996	Cummins LTA10-290	MS1-401A	24V / 8.3kW	Option M105R3502SE
Dragon	1988		Cummins LTA10	MS1-401A	24V / 8.3kW	Option M105R3502SE
Enviro 200	2003		Cummins ISBe4 (Euro 3) 3.9ltr	MS4-400	24V / 5.5kW	
Enviro 200 Dart	2006		Cummins ISB(e)4 (Euro 2,3,4) 4.5ltr	MS4-400	24V / 5.5kW	
Enviro 200 Dart	2006		Cummins ISB(e)6 (Euro 2,3,4) 6.7ltr	M96R3019SE	24V / 5.0kW	was 35262410
Enviro 300	2006		Cummins ISB(e)6 (Euro 2,3,4) 6.7ltr	M96R3019SE	24V / 5.0kW	was 35262410
Enviro 400			Cummins ISBe4 6 cyl (Euro 4) 6.7ltr	MS3-505	24V / 7.5kW	
Enviro 400, 400H	2006		Cummins ISB(e)6 (Euro 2,3,4) 6.7ltr	M96R3019SE	24V / 5.0kW	was 35262410
Enviro 500	2004.07		Cummins ISMe 6cyl 10.8ltr (Euro4)	MS1-401A	24V / 8.3kW	not Europe
Enviro 500		2004	Cummins M11 ISMe Euro 2,3, ISL Euro 4	MS1-401A	24V / 8.3kW	
Enviro 500			Cummins ISMe 335	M105R3019SE	24V / 7.5kW	replaces Delco 38/39MT
Enviro 500			Cummins ISC, ISL	M105R3503SE	24V / 7.5kW	
Javelin	1987	1995	Cummins 6C	1327A581	24V / 7.8kW	was 870665Z
Javelin	1987	1995	Cummins 6C	MS3-503	24V / 7.5kW	was 859261
Javelin	1995	2003	Cummins B	MS4-400	24V / 5.5kW	
Javelin	2002		Cummins ISBe (Euro 2,3). ISBe 6 (Euro 4)	MS4-405	24V / 5.5kW	
Javelin	2003		Cummins ISBe 6cyl (Euro 4) 5.9ltr	MS4-401	24V / 5.5kW	
Lance (Wright)	1996		Cummins 6C, CT	1327A581	24V / 7.8kW	was 870665Z
Lancet	1984		Perkins 6.354 5791ccm	1327A411	24V / 7.8kW	was 857553



OUTPUT
V / KW

NOTES / NOTAS /
ANMERKUNG

ALEXANDER DENNIS (ADL)

Lancet	1987		Cummins 6BTA	MS4-401	24V / 5.5kW	was 856766
Pointer		2006	Cummins ISBe 4 (Euro 3) 3.9ltr	MS4-400	24V / 5.5kW	
R series			Cummins ISC(e) (Euro 2,3)	MS3-502	24V / 7.5kW	
R series			Cummins ISMe (Euro 2,3) 11ltr 6cyl	MS1-401A	24V / 8.3kW	
Trident	1996		Cummins M11	MS1-302A	24V / 8.3kW	was MS1/102
Trident	1997		Cummins M11	MS1-401A	24V / 8.3kW	
Trident	2001		Cummins ISMe (Euro 3)	MS3-503	24V / 7.5kW	

ANKIA

Bus			Cummins	M105R3503SE	24V / 7.5kW	same M105R3004SE
HFF6110GS-1			Cummins	M97R3014SE	24V / 5.0kW	

AYATS

Bravo	2001		D2866LOH01, 02, 03 12,0 ltr	860508GB	24V / 5.4kW	
Eclipse	2013		MAN D2676 LOH04 Euro6	M90R3548SE	24V / 6.0kW	
Eclipse	2013		MAN D2676 LOH27 480HP Euro6	M90R3548SE	24V / 6.0kW	

BMC

Bus			Cummins ISBe	860716	24V / 4.0kW	Upgrade M93R3059SE
-----	--	--	--------------	---------------	-------------	--------------------

BOVA

Futura FHD 10, FHD 12, FHD 13, FLD 12, FLD 13	2001.09		12.6ltr (250kW / 340hp)	M90R3543SE	24V / 6.0kW	
Magiq HD 120, HD 122	1999.1		12.6ltr (250kW / 340hp)	M90R3543SE	24V / 6.0kW	
Magiq MHD 122	2006.1		12.9ltr (300kW / 408hp)	M90R3544SE	24V / 6.0kW	with plug
Magiq MHD 131 Magnum	2007.07		12.9ltr (340kW / 462hp)	M90R3544SE	24V / 6.0kW	with plug
Magiq MHD 139 Magnum	2007.07		12.9ltr (340kW / 462hp)	M90R3544SE	24V / 6.0kW	with plug
Magiq MHD 148 Magnum	2007.07		12.9ltr (340kW / 462hp)	M90R3544SE	24V / 6.0kW	with plug
Synergy DD 130, DD 138	2004.09		12.6ltr (355kW / 483hp)	M90R3543SE	24V / 6.0kW	
Synergy SDD130, SDD 141	2007.07		12.9ltr (340kW / 462hp), (375kW / 510hp)	M90R3544SE	24V / 6.0kW	with plug

CENTRO

Various models	2000		Cummins B	860318	24V / 4.5kW	
Various models	2000		Cummins B	MS4-401	24V / 5.5kW	

CHINESE BUS

Various models			ISLE (Cummins China)	M105R3001SE	24V / 7.5kW	1015-00053
Various models			ISLE (Cummins China)	M105R3004SE	24V / 7.5kW	1015-00646
Various models				MS4-401	24V / 5.5kW	3708-00004
Various models				MS4-404	24V / 5.5kW	1015-00011
Various models				M93R3011SE	24V / 5.0kW	3708-00043
Various models				M93R3013SE	24V / 5.0kW	1005-00787
Various models				M100R3002SE	24V / 5.0kW	1015-00056

BUS & COACH APPLICATION GUIDE 2019

STARTER MOTORS



OUTPUT
V / KW

NOTES / NOTAS /
ANMERKUNG

CITROEN

Jumper 1.9 D,td	1994.02	2002		S1322V	12V / 1.7kW	35258730
Jumper 2.0	1994.02	2002	petrol	S1322V	12V / 1.7kW	35258730
Jumper 2.0 HDI	2002.02	2006	RHV 66kw	S1322V	12V / 1.7kW	35258730
Jumper 2.2 Hdi	2002.02	2006	4HY 77kw	S1322V	12V / 1.7kW	35258730
Jumper 2.5 d,td	1994.02	2002.02	T9A,T8A,THZ	S1071B	12V / 2.2kW	
RELAY (Bus) 2.2 HDi 100	2006.04		2.198ltr (74kW / 101hp)	S1054B	12V / 2.0kW	860821
RELAY (Bus) 2.2 HDi 120	2006.04		2.198ltr (88kW / 120hp)	S1054B	12V / 2.0kW	860821
Relay 1.9D	1994		1905ccm	S1322V	12V / 1.7kW	35258730
Relay 2.5D, TD	1994	1997	2446ccm	S1071B	12V / 2.2kW	

CREDO

EC11			Iveco engine	860716	24V / 4.0kW	
------	--	--	--------------	---------------	-------------	--

CUMMINS (CHINA BUS)

Various - Engine			DCEC 6BTA 5.9-C180	M93R3002SE	24V / 5.0kW	4983774
Various - Engine			DCEC C300	MS3-504	24V / 7.5kW	3415537
Various - Engine			DCEC EQB180-20	M93R3003SE	24V / 5.0kW	4983067
Various - Engine			DCEC EQB210-20	M93R3003SE	24V / 5.0kW	4983067
Various - Engine			DCEC ISDE	M93R3026SE	24V / 5.0kW	4992135
Various - Engine			DCEC ISDE180-30	M93R3014SE	24V / 5.0kW	4983068
Various - Engine			DCEC ISDE210-30	M93R3014SE	24V / 5.0kW	4983068
Various - Engine			DCEC ISDE245-30	M93R3003SE	24V / 5.0kW	4983067
Various - Engine			DCEC ISDE285-30	M93R3014SE	24V / 5.0kW	4983068

DAB

12-serie	1989	1998	DAF 1160	860546GB	24V / 5.4kW	
----------	------	------	----------	-----------------	-------------	--

DAF (VDL)

SB120	2001		Cummins ISBe Euro 3	860318	24V / 4.5kW	
SB2000				860674GB	24V / 5.4kW	
SB201	1974	1990		860658	24V / 5.4kW	
SB201DKDL	1974.01	1990.07	DKDL1160 11,6ltr	860658	24V / 5.4kW	
SB201DKDL	1974.01	1990.07	DKDL1160 11,6ltr	860658	24V / 5.4kW	
SB220			LT160G	860504GB	24V / 5.4kW	
SB3000	1984		11.6ltr	860509GB	24V / 5.4kW	
SBG220				860504GB	24V / 5.4kW	

DEUTZ (CHINA)

Various - Engine			BF4M1013. 4,764 l	M93R3004SE	24V / 5.0kW	S3708010-D286
Various - Engine			BF6M1013. 7,146 l	M93R3004SE	24V / 5.0kW	S3708010-D286

DRÖGMÖLLER

E 290	1980.01		OM422.900 14,6ltr	860508GB	24V / 5.4kW	
E 290	1988.04		OM442.900 15,0ltr	860508GB	24V / 5.4kW	
E 300	1980.01		OM422.900 14,6ltr	860508GB	24V / 5.4kW	
E 300	1988.04		OM442.900 15,0ltr	860508GB	24V / 5.4kW	
E 310	1980.01		OM422.900 14,6ltr	860508GB	24V / 5.4kW	
E 310	1988.04		OM442.900 15,0ltr	860508GB	24V / 5.4kW	



OUTPUT
V / KW

NOTES / NOTAS /
ANMERKUNG

DRÖGMÖLLER

E 320	1988.04		OM442.900 15,0ltr	860508GB	24V / 5.4kW	
E 320, L	1980.01		OM422.900, OM442.901A 14,6ltr	860508GB	24V / 5.4kW	
E 330	1980.01		OM422.900 14,6ltr	860508GB	24V / 5.4kW	
E 330	1988.04		OM442.900 15,0ltr	860508GB	24V / 5.4kW	
E 420	1980.01		OM422.901A 14,6ltr	860506GB	24V / 6.6kW	
E 420	1988.04		OM442.901A 14,6ltr	860508GB	24V / 5.4kW	
E 430	1980.01		OM422.901A 14,6ltr	860506GB	24V / 6.6kW	
E 430	1988.04		OM442.901A 14,6ltr	860508GB	24V / 5.4kW	
E 440	1980.01		OM422.901A 14,6ltr	860506GB	24V / 6.6kW	
E 440	1988.04		OM442.901A 14,6ltr	860508GB	24V / 5.4kW	

FIAT

DUCATO 250 (Bus) 100 Multijet 2,2 D	2006.07		2.198ltr (74kW / 100hp)	S1054B	12V / 2.0kW	860821
--	---------	--	-------------------------	---------------	-------------	--------

FORD

TOURNEO CUSTOM (Bus) 2.2 TDCi	2012.12		2.198ltr (92kW / 125hp)	S1054B	12V / 2.0kW	860821
TOURNEO CUSTOM (Bus) 2.2 TDCi	2012.12		2.198ltr (114kW / 155hp)	S1054B	12V / 2.0kW	860821
TOURNEO CUSTOM (Bus) 2.2 TDCi	2012.12		2.198ltr (74kW / 100hp)	S1054B	12V / 2.0kW	860821
TRANSIT (Bus) 2.2 TDCi	2006.04		2.198ltr (96kW / 130hp)	S1054B	12V / 2.0kW	860821
TRANSIT (Bus) 2.2 TDCi	2006.04		2.198ltr (81kW / 110hp)	S1054B	12V / 2.0kW	860821
TRANSIT (Bus) 2.2 TDCi	2006.04		2.198ltr (63kW / 85hp)	S1054B	12V / 2.0kW	860821
TRANSIT (Bus) 2.2 TDCi	2007.10		2.198ltr (103kW / 140hp)	S1054B	12V / 2.0kW	860821
TRANSIT (Bus) 2.2 TDCi	2008.10		2.198ltr (85kW / 115hp)	S1054B	12V / 2.0kW	860821
TRANSIT (Bus) 2.2 TDCi	2011.10		2.198ltr (92kW / 125hp)	S1054B	12V / 2.0kW	860821
TRANSIT (Bus) 2.2 TDCi	2011.10		2.198ltr (74kW / 100hp)	S1054B	12V / 2.0kW	860821
TRANSIT (Bus) 2.4 TDCi	2006.04		2.402ltr (103kW / 140hp)	S1054B	12V / 2.0kW	860821
TRANSIT (Bus) 2.4 TDCi	2006.04		2.402ltr (85kW / 115hp)	S1054B	12V / 2.0kW	860821
TRANSIT (Bus) 2.4 TDCi	2006.04		2.402ltr (74kW / 100hp)	S1054B	12V / 2.0kW	860821
TRANSIT (Bus) 2.4 TDCi 4x4	2006.11		2.402ltr (103kW / 140hp)	S1054B	12V / 2.0kW	860821
TRANSIT (Bus) 3.2 TDCi	2008.02		3.199ltr (147kW / 200hp)	S1054B	12V / 2.0kW	860821
Transit 2.0 TD, TDE	2000.08	2006	ABFA, D3FA, F3FA 2,0ltr 55>74kw	20510202A	12V / 1.8kW	
Transit 2.5 Di Turbo	1991.09	1994.1		20500673	12V / 2.8kW	
Transit 2.5 Di, Turbo	1984.05	1991.09	Perkins	20500673	12V / 2.8kW	
Transit 2.5 Di, Turbo	1994.11	1996.1		20500673	12V / 2.8kW	
Transit 2.5 Di, Turbo	1996.1	2000.05		20500976T	12V / 2.2kW	
TRANSIT CUSTOM (Bus) 2.2 TDCi	2012.12		2.198ltr (114kW / 155hp)	S1054B	12V / 2.0kW	860821
TRANSIT CUSTOM (Bus) 2.2 TDCi	2012.12		2.198ltr (92kW / 125hp)	S1054B	12V / 2.0kW	860821

BUS & COACH APPLICATION GUIDE 2019

STARTER MOTORS



OUTPUT
V / KW

NOTES / NOTAS /
ANMERKUNG

FORD						
TRANSIT CUSTOM (Bus) 2.2 TDCi	2012.12		2.198ltr (74kW / 100hp)	S1054B	12V / 2.0kW	860821
TRANSIT TOURNEO (Bus) 2.2 TDCi	2006.07		2.198ltr (86kW / 131hp)	S1054B	12V / 2.0kW	860821
TRANSIT TOURNEO (Bus) 2.2 TDCi	2006.07		2.198ltr (81kW / 110hp)	S1054B	12V / 2.0kW	860821
TRANSIT TOURNEO (Bus) 2.2 TDCi	2007.10		2.198ltr (103kW / 140hp)	S1054B	12V / 2.0kW	860821
TRANSIT TOURNEO (Bus) 2.2 TDCi	2008.10		2.198ltr (85kW / 115hp)	S1054B	12V / 2.0kW	860821
GAZ (RUSSIA)						
GAZel			Cummins ISF 2.8ltr	M81R2502	12V / 2.6kW	S43-20105
GAZel			Cummins BFCEC-ISF 3.8ltr	M81R2501	12V / 3.6kW	S43-40103
GAZel			Cummins ISF 3.8ltr	M81R3001	24V / 4.5kW	S43-40201A
GOLDEN DRAGON (CHINA BUS)						
XML6121E1A			DCEC ISC (Cummins China)	MS3-504	24V / 7.5kW	
XML6121E1G			DCEC ISBE (Cummins China)	MS4-404	24V / 5.5kW	
HEULIEZ						
DEMARREUR			Cummins/Iveco engine	860716	24V / 4.0kW	Standard
DEMARREUR			Cummins/Iveco engine	M93R3059SE	24V / 5.0kW	Upgrade
GX217			Volvo engine	860504GB	24V / 5.4kW	
GX417			Volvo engine	860504GB	24V / 5.4kW	
INTOURO			Mercedes engine	860321	24V / 4.0kW	Standard
INTOURO			Mercedes engine	M93R3066SE	24V / 5.0kW	Upgrade
HIGER (CHINA BUS)						
Bus			DCEC 6B (Cummins China)	MS4-404	24V / 5.5kW	37T74-08010
Bus			DCEC C300 (Cummins China)	MS3-504	24V / 7.5kW	3FE11-08010
KLQ6108GQ			DCEC ISBE220-31 (Cummins China)	MS4-404	24V / 5.5kW	37T74-08010
KLQ6109Q			DCEC ISDE270-30 (Cummins China)	M93R3014SE	24V / 5.0kW	
KLQ6856E3			DCEC ISDE185-30 (Cummins China)	M93R3014SE	24V / 5.0kW	
KLQ6896E3			DCEC ISDE210-30 (Cummins China)	M93R3014SE	24V / 5.0kW	
KLQ6896QE3			DCEC IDE210-30S (Cummins China)	M93R3014SE	24V / 5.0kW	
S7-S8			Cummins 5,9 215hp (Brazil)	M93R3001SE	24V / 5.0kW	can use M93R3013SE
S7-S8			Cummins EQB180-20 180hp	M93R3001SE	24V / 5.0kW	can use M93R3013SE
S7-S8			Cummins ISCe260 30 Euro3	M93R3001SE	24V / 5.0kW	
S7-S8			Cummins B5,9 215hp (Brazil)	M93R3001SE	24V / 5.0kW	can use M93R3013SE
S7-S8			EQB210-20 210hp	M93R3001SE	24V / 5.0kW	can use M93R3013SE
S7-S8			YC6105ZLQ 210hp	M93R3016SE	24V / 5.0kW	
S7-S8			YC6G270-30 270hp Euro3	M93R3016SE	24V / 5.0kW	
S7-S8 (KLQ6795)			YC4112ZLQ	M93R3016SE	24V / 5.0kW	
S7-S8 (YP4112ZLQ)			YC4112ZLQ 180hp	M93R3016SE	24V / 5.0kW	



OUTPUT
V / kW

NOTES / NOTAS /
ANMERKUNG

IKARUS						
Model	Year 1	Year 2	Engine	Part No.	Output	Notes
190	1973.03	1979.11	Rába D2156HM6U 10,4ltr	860653	24V / 5.4kW	
246			Rába D10 UTSL 184	860653GB	24V / 5.4kW	
250			Rába D 2156 HM6UT	860660GB	24V / 5.4kW	
250			Rába D 2156 HM6UT	860660GB	24V / 5.4kW	
260.22	1978.06	1986.04	Rába D2156HM6U 10,4ltr	860653	24V / 5.4kW	
260.29	1981.01	1986.04	Rába D2356HM6U 10,7ltr	860653	24V / 5.4kW	
260.31	1982.1		Rába/D2356HM6U 10,7ltr	860653	24V / 5.4kW	
266			Rába D 2156 HM6U	860660GB	24V / 5.4kW	
250K	1977.01	1986.04	Rába D2356HM6U 10,7ltr	860653	24V / 5.4kW	
250K	1977.01		Rába/D2356HM6U 10,7ltr	860660GB	24V / 5.4kW	
256.4x/C56			Detroit Diesel S50	M105R3502SE	24V / 7.5kW	
260.71A	1991.08		Rába/D2866UM 12.0ltr	860506GB	24V / 6.6kW	
260/C60/263/C63			Rába D 2156 HM6U (263.01)	860660GB	24V / 5.4kW	
260/C60/263/C63			Rába D10 UTS 155 E1 (263.10)	860504GB	24V / 5.4kW	
350/365			Rába D 2156 MT6UT	860660GB	24V / 5.4kW	
395/E95			Volvo D7A 285 E2	860618	24V / 4.0kW	
395/E95			Volvo D7A 285 E2	860618	24V / 4.0kW	
395/E95			Volvo D7C 275 E3	860618	24V / 4.0kW	
395/E95			Volvo D7C 275 E3	860618	24V / 4.0kW	
395/E95			Volvo D7C 275 E3	860618	24V / 4.0kW	
395/E95			Volvo D7C 310 E3 turbo, Intercooler	860618	24V / 4.0kW	
395/E95			Volvo D7C 310 E3 turbo, Intercooler	860618	24V / 4.0kW	
395/E95			Volvo D7C 310 E3 turbo, Intercooler	860618	24V / 4.0kW	
395/E95			Volvo D7C 310 E3 turbo, Intercooler	860618	24V / 4.0kW	
398/E98			Cummins M11-380 E2	M105R3509SE	24V / 7.5kW	
398/E98			MAN D2866 LOH 23 E2	860508GB	24V / 5.4kW	
398/E98			Rába D10 TLL 265 E2	860504GB	24V / 5.4kW	11t Pinion
398/E98			Rába D10 TLL 265 E2	860653GB	24V / 5.4kW	9t Pinion
398/E98			Rába D10 UTLL 235 E2	860504GB	24V / 5.4kW	11t Pinion
398/E98			Rába D10 UTLL 235 E2	860653GB	24V / 5.4kW	9t Pinion
E94/E94F			Detroit Diesel S60	M105R3502SE	24V / 7.5kW	
E94/E94F			Mercedes-Benz OM457 LA/220	M105R3031SE	24V / 7.5kW	
E94/E94F			Rába D10 UTLL-180 E-2 (180 kW/245 LE)	860504GB	24V / 5.4kW	
E94/E94F			Rába D10 UTLL-190 E-2 (190 kW/260 LE)	860504GB	24V / 5.4kW	
E94/E94F			Rába D10 UTLL-206 E-2 (206 kW/280 LE)	860504GB	24V / 5.4kW	
E94/E94F			Rába D10 UTLL-235 E-2 (235 kW/320 LE)	860504GB	24V / 5.4kW	
E94G			Rába D10 UTLL-218 E2	860504GB	24V / 5.4kW	

BUS & COACH APPLICATION GUIDE 2019

STARTER MOTORS



OUTPUT
V / KW

NOTES / NOTAS /
ANMERKUNG

IKARUS

E95			Scania engine	857472GB	24V / 4.0kW	not oil-sealed
E99			Detroit Diesel S60 ECE/EEC E2	M105R3502SE	24V / 7.5kW	
E99			Scania DSC 1205 E2	857472GB	24V / 4.0kW	not oil sealed
Various			Detroit Diesel	M105R3503SE	24V / 7.5kW	
			Rába D10 UTSL 160 E2	860504GB	24V / 5.4kW	
			Rába D10 UTSL 190 E2	860504GB	24V / 5.4kW	

IRISBUS

480.10.21 Turbocity.U	1988.04	1998.11	8460.21611R 9,5ltr	860516GB	24V / 5.4kW	
480.10.21 Turbocity.U	1988.04	1998.11	8460.21611R 9,5ltr	860516GB	24V / 5.4kW	
580.10.21 Turbocity.S	1988.1	1998.11	8460.21.611R 9,5ltr	860516GB	24V / 5.4kW	
580.10.21 Turbocity.S	1988.1	1998.11	8460.21.611R 9,5ltr	860516GB	24V / 5.4kW	
680.12.26 Turbocity.I	1989.06	1998.11	8460.21.601 9,5ltr	860516GB	24V / 5.4kW	
Agora Citybus GNV	1995.06		MGDR 06.20.45J491 9.9ltr 185kW	860507GB	24V / 6.6kW	
Agora Citybus GX317	1994.09		MGDR 06.20.45 A491, D491, MIDR06.20.45 I41, J41 9,9 ltr	860507GB	24V / 6.6kW	
Agora Citybus GX317	1994.09		MIDR 06.20.45J41 9.9ltr 220kW	860507GB	24V / 6.6kW	
Agora Citybus GX317	1995.06	1996.09	MIDR 06.20.45 F/3, 06.20.45 I/3 9,9 ltr 144, 191kW	860507GB	24V / 6.6kW	
Agora Line	1998.05		MI7R 06.20.45B41,C41 9.9ltr 152,185kW	860507GB	24V / 6.6kW	
Agora Line	2003		Cursor 8 F2BE0681D... 7,8ltr Euro 3 180kW	20540102	24V / 4.5kW	
Arés	1999		Cursor 8 F2BE0681B*... 7,8ltr Euro 3 228, 266kW	20540102	24V / 4.5kW	10.6 & 12meters
Arés 300	1998.04		MIDR 06.20.45 R41 9,8 ltr	860507GB	24V / 6.6kW	
Arés 340	1998.04		MIDR 06.20.45 M41 9,8 ltr	860507GB	24V / 6.6kW	
Arés 380	2000.06		MIDR 06.20.45 A/41 11,1 ltr	860507GB	24V / 6.6kW	
Arés 380	2000.06		MIDR06.23.56A/41 9.8ltr 280kW	860507GB	24V / 6.6kW	
Arway	1999		Cursor 10 F3AE... 10.3ltr 279, 331kW	20540101	24V / 5.5kW	15meters
Arway	1999		Cursor 8 F2BE... 7,8ltr Euro 4 242, 279kW	20540102	24V / 4.5kW	12, 12.8meters
Axer	1999		Cursor 8 F2BE0681B*.. 7.8ltr Euro 3 228kW	20540102	24V / 4.5kW	
Axer	2002		Cursor 8 F2BE0681B*... 7.8ltr Euro 3 228kW	20540102	24V / 4.5kW	
Citelis 12, 18	2001		Cursor 8 F2B... 7.8ltr Euro 3 180, 212kW	20540102	24V / 4.5kW	12, 18mtr
Citelis CityClass	2001		Cursor 8 CNG 7.8ltr EEV 176kW (Gas)	20540102	24V / 4.5kW	10.8, 12mtr
Citelis CityClass	2001		Cursor 8 F2B... 7.8ltr Euro 3,4 180, 214kW	20540102	24V / 4.5kW	10.8, 12mtr
Citelis Line	2001		Cursor 8 F2B... 7.8ltr Euro 3 180, 212kW	20540102	24V / 4.5kW	12mtr
Civis	2001		Cursor 8 F2BE0681A*... 7.8ltr Euro 3 259kW	20540102	24V / 4.5kW	
Civis Bimode	2001		Cursor 8 F2BE0681A*... 7.8ltr Euro 3 259kW	20540102	24V / 4.5kW	



OUTPUT
V / kW

NOTES / NOTAS /
ANMERKUNG

IRISBUS

Civis Bimode	2001		Sofim 8140.43S.. 92kW	20513043	12V / 2.3kW	
Cristalis	2001		Cursor 8 F2BE0681A*... 7.8ltr Euro 3 259kW	20540102	24V / 4.5kW	
Cristalis Bimode	2001		Cursor 8 F2BE0681A*... 7.8ltr Euro 3 259kW	20540102	24V / 4.5kW	
Cristalis Bimode	2001		Sofim 8140.43S.. 92kW	20513043	12V / 2.3kW	
Crossway	2002		Cursor 8 F2BE... 7.8ltr Euro 4 194,220kW	20540102	24V / 4.5kW	
Crossway	2002		Tector Euro 4	20540102	24V / 4.5kW	
Daily 2.8 Diesel	2002		8140.43.. 2.8ltr 92,129kW	20513043	12V / 2.3kW	
Daily 2.8 GNC	2002		8140.43.. 2.8ltr GNC 78kW	20513043	12V / 2.3kW	
Daily 3.0 Diesel	2004		F1C... 3.0ltr 129kW	20513043	12V / 2.3kW	By Orlandi
Domino HD, HDH	2004		Cursor 10 F3AE... 10.3ltr 279, 331kW	20540101	24V / 5.5kW	
Evadys	2004		Cursor 10 F3AE... 10.3ltr 279, 331kW	20540101	24V / 5.5kW	12, 12.8meters
FR 1	1984.01	1992.11	Mack.EE6.335 11,0 ltr	MS1-403A	24V / 8.3kW	for US market
FR 1	1985.09	1993.12	MIDR 06.20.45 M 9,8 ltr	860507GB	24V / 6.6kW	
FR 1	1987.05	1993.12	MIDR 06.20.45 D 9,8 ltr	860507GB	24V / 6.6kW	
FR 1	1991.06	1996.12	MIDR 06.20.45 A2 9,8 ltr	860507GB	24V / 6.6kW	
FR 1.FRH	1992.12	1996.12	MIDR 06.20.45 D/3 9,8 ltr	860507GB	24V / 6.6kW	
Iliade FRH	1996.1	2001.09	MIDR 06.23.56 A/41 11,1 ltr	860507GB	24V / 6.6kW	
Iliade GT, GTC, GTE	1996.1	2001.09	MIDR 06.20.45 M41, R41 9,9 ltr	860507GB	24V / 6.6kW	
Iliade GTX, GTXE	1996.1	2001.09	MIDR 06.20.45 M41, R41 9,9 ltr	860507GB	24V / 6.6kW	
Iliade GTX, GTXE	1996.1	2001.09	MIDR 06.23.56 A/41 11,1 ltr	860507GB	24V / 6.6kW	
Iliade RT, RTC	1996.1	2001.09	MIDR 06.20.45 M41, R41 9,9 ltr	860507GB	24V / 6.6kW	
Iliade RTX	1996.1	2001.09	MIDR 06.20.45 M41, R41 9,9 ltr	860507GB	24V / 6.6kW	
Iliade RTX	1996.1	2001.09	MIDR 06.23.56 A/41 11,1 ltr	860507GB	24V / 6.6kW	
Iliade TE, TEC	1996.1	2001.09	MIDR 06.20.45 M41, R41 9,9 ltr	860507GB	24V / 6.6kW	
Iliade TEX	1996.1	2001.09	MIDR 06.20.45 M41, R41 9,9 ltr	860507GB	24V / 6.6kW	
Iliade TEX	1996.1	2001.09	MIDR 06.23.56 A/41 11,1 ltr	860507GB	24V / 6.6kW	
PR 10 S	1984.06	1987.09	MIDR 06.20.30 8,8ltr	860507GB	24V / 6.6kW	
PR 100	1984.06	1984.12	MIP 06.20.30, MIP 06.20.30 8,8ltr	860507GB	24V / 6.6kW	
PR 100.2	1984.06	1992.06	MIPS 06.20.45 9,8ltr	860507GB	24V / 6.6kW	
PR 100.2	1984.06	1992.06	MIPS 06.20.45 A, MIPS 06.20.45C 9,8ltr	860507GB	24V / 6.6kW	
PR 100.2	1992.1	1995.05	MIPR 06.20.45 B3 , MIPR 06.20.45 C3 9,8ltr	860507GB	24V / 6.6kW	
PR 12 S	1984.06	1986.03	MIDR 06.20.30 8,8ltr	860507GB	24V / 6.6kW	
PR 14 S, SR	1984.06	1986.09	MIDR 06.20.30 A, MIDR 06.20.30D 8,8ltr	860507GB	24V / 6.6kW	
PR 180	1984.06	1989.12	MIDS 06.20.45 9,8ltr	860507GB	24V / 6.6kW	
PR 180	1984.06	1989.12	MIPS 06.20.30 8,8ltr	860507GB	24V / 6.6kW	
PR 180	1984.09	1989.12	MIPS 06.20.45 C 9,8ltr	860507GB	24V / 6.6kW	

BUS & COACH APPLICATION GUIDE 2019

STARTER MOTORS



OUTPUT
V / KW

NOTES / NOTAS /
ANMERKUNG

IRISBUS

PR 180	1991.06		MIDS 06.20.45 A2 9,8ltr	860507GB	24V / 6.6kW	
PR 180.2	1984.06	1994.05	MIPS 06.20.45 B 9,8ltr	860507GB	24V / 6.6kW	
PR 180.2	1992.1	1994.05	MIPR 06.20.45 A3, B3 9,8ltr	860507GB	24V / 6.6kW	
PR 180.2 Megabus	1989.07	1992.1	MIPR 06.20.45 A 9,8ltr	860507GB	24V / 6.6kW	
PR 180.2 Megabus	1989.07	1992.1	MIPS 06.20.45 B 9,8ltr	860507GB	24V / 6.6kW	
R 212	1990.01	1990.05	MIDR 06.02.12 B 5,5ltr	861039	24V / 4.0kW	was 860103
R 212	1990.01	1990.05	MIDR 06.02.12 B 5,5ltr	M93R3104SE	24V / 5.0kW	Upgrade to 861039
R 312	1986.11		MIDR 06.20.45..., MIDS 06.20.45 9,8ltr	860507GB	24V / 6.6kW	
R 312	1990.01	1990.05	MIDS 06.20.45D, MIDS 06.20.45F 9,8ltr	860507GB	24V / 6.6kW	
R 330	1988.05	1991.05	MIDR 06.20.45 A 9,8ltr	860507GB	24V / 6.6kW	
R 332	1989.06	1993.05	MIHS 06.20.45A 9,8ltr	860507GB	24V / 6.6kW	
Récrcéo	2002		Cursor 8 F2BE0681B*.. 7.8ltr Euro 3 228kw	20540102	24V / 4.5kW	
S 105 R, RA, RAX, RX	1983.01	1994.12	D0846HM42U 7,3 ltr	860660GB	24V / 5.4kW	
S 45 R, RX	1980.06	1994.12	D0846HM42U 7,3 ltr	860660GB	24V / 5.4kW	
S 50 R, RX	1980.06	1994.12	D0846HM42U 7,3 ltr	860660GB	24V / 5.4kW	
S 53 R, RX	1980.06	1994.12	D0846HM42U 7,3 ltr	860660GB	24V / 5.4kW	
Scolaire Récrcéo	2002		Cursor 8 F2BE0681B*... 7.8ltr Euro 3 228kw	20540102	24V / 4.5kW	
Tracer	1992.03	1993.05	MIHS 06.20.45 A, MIHI 06.20.45 B 9,8ltr	860507GB	24V / 6.6kW	

IRIZAR

i4	2013		Paccar DAF MX-11 240 Euro6	M90R3544SE	24V / 6.0kW	
i6	2013		Paccar DAF MX-11 271 Euro6	M90R3544SE	24V / 6.0kW	
i6	2013		Paccar DAF MX-11 320 Euro6	M90R3544SE	24V / 6.0kW	
i6	2013		Paccar DAF MX-13 340 Euro6	M90R3544SE	24V / 6.0kW	
p6	2013		Paccar DAF MX-13 375 Euro6	M90R3544SE	24V / 6.0kW	

IVECO

480.10.21 Turbocity.U	1988.04	1998.11	8460.21611R 9,5ltr	>>>		see IRISBUS
580.10.21 Turbocity-S	1988.1	1998.11	8460.21.611R 9,5ltr	>>>		see IRISBUS
680.12.26 Turbocity.l	1989.06	1998.11	8460.21.601 9,5ltr	>>>		see IRISBUS
DEMARREUR				860716	24V / 4.0kW	Standard
DEMARREUR				M93R3059SE	24V / 5.0kW	Upgrade
EuroClass 380....	1993.01	2002.11	8460.41.. 9.5ltr	>>>		see IRISBUS
Palladio DV27 370 12.30	1991	2002.11	Euro 1	>>>		see IRISBUS
Zeta A70-12 / 70-14	1983.01	1992.12	8060.05.246, 8060.05.285	860817	24V / 4.0kW	

KARSAN

CXL			Cummins ISBe Euro6	860716	24V / 4.0kW	upgrade M93R3059SE
MPXL			Cummins ISBe Euro6	860716	24V / 4.0kW	upgrade M93R3059SE



OUTPUT
V / KW

NOTES / NOTAS /
ANMERKUNG

KÄSSBOHRER

ComfortClass	2003.1		OM457.941	M105R3031SE	24V / 7.5kW	
ComfortClass	2003.1		OM457.944	M105R3031SE	24V / 7.5kW	
Setra S 200	1976.08	1981.12	OM403 16,0ltr	860506GB	24V / 6.6kW	
Setra S 208	1976.08	1980.01	OM401 9,6ltr	860506GB	24V / 6.6kW	
Setra S 209	1976.08	1980.01	OM401 9,6ltr	860506GB	24V / 6.6kW	
Setra S 209 H	1980.01	1983.1	OM421.900 11,0ltr	860506GB	24V / 6.6kW	
Setra S 210 H..	1983.1	1996.06	OM421.900 11,0ltr	860506GB	24V / 6.6kW	
Setra S 210 H..	1985.09	1996.06	OM421A 11,0ltr	860506GB	24V / 6.6kW	
Setra S 211 H	1976.08	1980.01	OM401 9,6ltr	860506GB	24V / 6.6kW	
Setra S 211 H..	1980.01	1996.06	OM422.900 14,6ltr	860506GB	24V / 6.6kW	
Setra S 211 H..	1985.09	1996.06	OM421A 11,0ltr	860506GB	24V / 6.6kW	
Setra S 212	1976.08	1981.12	OM403 16,0ltr	860506GB	24V / 6.6kW	
Setra S 212 H	1976.08	1980.01	OM402 12,8ltr	860506GB	24V / 6.6kW	
Setra S 212 H	1980.01	1983.05	OM421.900 11,0ltr	860506GB	24V / 6.6kW	
Setra S 212 H	1980.01	1983.05	OM422.900 14,6ltr	860506GB	24V / 6.6kW	
Setra S 213 H	1976.08	1980.01	OM402 12,8ltr	860506GB	24V / 6.6kW	
Setra S 213 H	1976.08	1981.12	OM403 16,0ltr	860506GB	24V / 6.6kW	
Setra S 213 H.., HR.., RL	1980.01	1996.06	OM422.900, 901A 14,6ltr	860506GB	24V / 6.6kW	
Setra S 214 HD..	1983.09	1996.06	OM422.900, 901A 14,6ltr	860506GB	24V / 6.6kW	
Setra S 215	1976.08	1980.01	OM401 9,6ltr	860506GB	24V / 6.6kW	
Setra S 215 H	1976.08	1980.01	OM402 12,8ltr	860506GB	24V / 6.6kW	
Setra S 215 H	1976.08	1981.12	OM403 16,0ltr	860506GB	24V / 6.6kW	
Setra S 215 H..	1980.01	1996.06	OM422.900, 901A 14,6ltr	860506GB	24V / 6.6kW	
Setra S 215 HR.., RL	1983.09	1996.06	OM422.900, 901A 14,6ltr	860506GB	24V / 6.6kW	
Setra S 215 SL, UL	1983.09	1985.09	OM407H, OM407HA 11,4ltr	860506GB	24V / 6.6kW	
Setra S 215 SL, UL	1985.09	1996.06	OM427H, OM427HA 12,0ltr	860506GB	24V / 6.6kW	
Setra S 216 HDS..	1980.07	1996.06	OM422.901A 14,6ltr	860506GB	24V / 6.6kW	
Setra S 216 HDS..	1985.09	1996.06	OM422.901A 14,6ltr	860506GB	24V / 6.6kW	
Setra S 217 HDH.	1989.01	1996.06	OM442LA 14,6ltr	860508GB	24V / 5.4kW	
Setra S 228 DT..	1982.03	1996.06	OM442.901-500LA 14,6ltr	860506GB	24V / 6.6kW	
Setra S 228 DT..	1985.09	1996.06	OM422.901A 14,6ltr	860506GB	24V / 6.6kW	
Setra S 228 DT..	1989.01	1996.06	OM442LA 14,6ltr	860508GB	24V / 5.4kW	
Setra S 250 Special	1996.06		D2866LOH23 12,0ltr	860508GB	24V / 5.4kW	
Setra S 309 HD	1992.09		OM441LA 11,0ltr	860508GB	24V / 5.4kW	
Setra S 313 UL	1995.03		D2866LUH 21 12,0ltr 228, 257kw	860506GB	24V / 6.6kW	
Setra S 313 UL	1995.03		OM447hLA 12,0ltr 184, 220kw	860506GB	24V / 6.6kW	
Setra S 315 GT, GT-HD	1991.09		OM441LA, OM442LA 11,0ltr	860508GB	24V / 5.4kW	
Setra S 315 GT, GT-HD	1991.09		OM442LA 14,6ltr	860508GB	24V / 5.4kW	
Setra S 315 H, HD, HDH	1991.09		OM442LA 14,6ltr	860508GB	24V / 5.4kW	
Setra S 315 H, HD, HDH	1991.09		OM441LA, OM442LA 11,0ltr	860508GB	24V / 5.4kW	
Setra S 315 HD	1995.03		D2866LOH23 12,0ltr	860508GB	24V / 5.4kW	

BUS & COACH APPLICATION GUIDE 2019 STARTER MOTORS



OUTPUT
V / KW

NOTES / NOTAS /
ANMERKUNG

KÄSSBOHRER

Setra S 315 NF	1994.09		OM447hLA 12,0ltr	860506GB	24V / 6.6kW	
Setra S 315 UL	1994.09		D 2866LUH 21 12,0ltr	860508GB	24V / 5.4kW	
Setra S 315 UL	1994.09		OM447hLA 12,0ltr	860506GB	24V / 6.6kW	
Setra S 316 HDS	1997.01		OM442LA 14,6ltr	860508GB	24V / 5.4kW	
Setra S 317 HDH	1997.1		OM442LA 14,6ltr	860508GB	24V / 5.4kW	
Setra S 319 GT-HD	1998.07		OM442LA 11,0ltr	860508GB	24V / 5.4kW	
Setra S 319 NF	1995.03		OM447hLA 12,0ltr	860506GB	24V / 6.6kW	
Setra S 319 UL	1995.03		OM447hLA 12,0ltr	860506GB	24V / 6.6kW	
Setra S 328 DT	1993.04		OM442LA 14,6ltr	860508GB	24V / 5.4kW	
Setra S 415 GT	2003.1		OM457.941, 457.944, 457.952, 457.965	M105R3031SE	24V / 7.5kW	
Setra S415 GT, GT-HD ComfortClass	2003.1		OM457.941 /944 /952	M105R3031SE	24V / 7.5kW	
Setra S415 GT, S416 GT ComfortClass	2003.1		OM457.941, 457.952, 457.965	M105R3031SE	24V / 7.5kW	
Setra S416 GT, GT-HD ComfortClass	2003.1		OM457.953 /961	M105R3031SE	24V / 7.5kW	

KAVZ (CHINA BUS)

Bus			DCEC EQB210 (Cummins China)	M93R3002SE	24V / 5.0kW	
-----	--	--	--------------------------------	-------------------	-------------	--

KING LONG (CHINA BUS)

XMQ6121G EU			Cummins ISLe4 + 280B	M105R3001SE	24V / 7.5kW	
XMQ6121G EU (Coach / School bus)			Cummins ISLe4 + 280B engines	M105R3001SE	24V / 7.5kW	
XMQ6127EU			Cummins ISLe4 + 400 and ISLE4 340 (Euro 4)	M105R3001SE	24V / 7.5kW	
XMQ6800			Cummins ISBe	M97R3013SE	24V / 5.0kW	
XMQ6900			Cummins ISBe4+225B	M93R3014SE	24V / 5.0kW	
XMQ6900Y			Cummins ISBe4 225 and 250 eng	M93R3013SE	24V / 5.0kW	

LDV

Convoy 2.5Di, DiT	1997		2498ccm	20500976T	12V / 2.2kW	Ford Diesel
Convoy 2.5Di, DiT	1997		2498ccm	S1322V	12V / 1.7kW	35258730

LEYLAND BUS

Eland (export)	1976		401, 410, 411	MS3-502	24V / 7.5kW	was 850461
Lynx	1988	1992	Cummins Horizontal	MS1-407A	24V / 8.3kW	was MS1/107
National Mk1	1972	1978	510	MS1-410A	24V / 8.3kW	Option M105R3505SE
Olympian	1986		Cummins L10	MS1-411A	24V / 8.3kW	was MS1/111
Ranger B82	1985		420	MS3-502	24V / 7.5kW	was 850461
Royal Tiger			Cummins Horizontal	MS1-407A	24V / 8.3kW	was MS1/107
Royal Tiger			Cummins Vertical	MS1-411A	24V / 8.3kW	was MS1/111
Swift	1987		Cummins 6BTA 300	MS4-401	24V / 5.5kW	was 856766
Tiger	1988		Cummins L10	MS1-407A	24V / 8.3kW	was MS1/107
Viking (export)	1969	1976	401, 410	MS3-502	24V / 7.5kW	was 850461



OUTPUT
V / KW

NOTES / NOTAS /
ANMERKUNG

MAN						
Model	Year 1	Year 2	Capacity	Part No.	Output	Notes
10.150 FOC	1995.02	1996.01	D0824LFO-01 4,6 ltr	861037	24V / 4.0kW	was 858318
10.150 FOC	1995.02	1996.01	D0824LFO-01 4,6 ltr	860818	24V / 4.0kW	was 860107
10.150 HOCL	1988.01	1992.05	D0826OH02 6,9 ltr	861037	24V / 4.0kW	was 858318
10.220 FOC, FOCL	1995.02		D0826LFL03 6.9ltr	860818	24V / 4.0kW	
12.220 HOCL.NL	1998.07	1999.09	D0826LOH19 6,9ltr	861037	24V / 4.0kW	was 858318
12.220 HOCL.NL	1998.07	2002.09	D0826LOH19 6,9ltr	860508GB	24V / 5.4kW	9Teeth KB
12.220 HOCL.NL	1998.07	2002.09	D0826LOH19 6,9ltr	860508GB	24V / 5.4kW	
12.220 HOCL.NL	1999.04		D0836LOH03 6,9ltr	861037	24V / 4.0kW	was 858318
12.220 HOCL.NL	1999.04		D0836LOH03 6,9ltr	860508GB	24V / 5.4kW	
12.220 HOCL.NL	1999.04		D0836LOH03 6,9ltr	860508GB	24V / 5.4kW	
12.220 HOCL.NL	1999.1	2002.09	D0826LOH19 6,9ltr	861037	24V / 4.0kW	was 858318
12.220 HOCL.NL	2000.02	2002.09	D0826LOH19 6,9ltr	860818	24V / 4.0kW	was 860107
12.220 HOCL.NL	2000.02		D0836LOH03 6,9ltr	860818	24V / 4.0kW	was 860107
12.220 HOCL.SR	2003.03		D0836LOH03 6,9ltr	861037	24V / 4.0kW	was 858318
12.220 HOCL.SR	2003.03		D0836LOH03 6,9ltr	860818	24V / 4.0kW	was 860107
12.220 HOCL.SR	2003.03		D0836LOH03 6,9ltr	860508GB	24V / 5.4kW	
12.220 HOCL.SR	2003.03		D0836LOH03 6,9ltr	860508GB	24V / 5.4kW	
14.120 HOCL.NL	1998.07	1999.09	D0826LOH19 6,9 ltr	861037	24V / 4.0kW	was 858318
14.120 HOCL.NL	1998.07	2001.09	D0826LOH19 6,9 ltr	860508GB	24V / 5.4kW	
14.120 HOCL.NL	1998.07	2001.09	D0826LOH19 6,9 ltr	860508GB	24V / 5.4kW	
14.120 HOCL.NL	1998.07	2001.09	D0826LUH12 6,9 ltr	860508GB	24V / 5.4kW	
14.120 HOCL.NL	1998.07	2001.09	D0826LUH12 6,9 ltr	860508GB	24V / 5.4kW	
14.120 HOCL.NL	1999.1	2001.09	D0826LOH19 6,9 ltr	861037	24V / 4.0kW	was 858318
14.120 HOCL.NL	2000.02	2001.09	D0826LOH19 6,9 ltr	860818	24V / 4.0kW	was 860107
14.120 HOCL.NL	2000.02	2001.09	D0826LUH12 6,9 ltr	860818	24V / 4.0kW	was 860107
14.120 HOCL.NL	2001.01		D0836LOH02, LOH03 6,9 ltr	861037	24V / 4.0kW	was 858318
14.120 HOCL.NL	2001.01		D0836LOH02, LOH03 6,9 ltr	860818	24V / 4.0kW	was 860107
14.120 HOCL.NL	2001.01		D0836LOH02, LOH03 6,9 ltr	860508GB	24V / 5.4kW	
14.120 HOCL.NL	2001.01		D0836LOH02, LOH03 6,9 ltr	860508GB	24V / 5.4kW	
14.192 FOC	1983.09	1990.03	D0226MKF 5,7 ltr	861037	24V / 4.0kW	was 858318
14.192 FOC	1983.09	1990.03	D0226MKF 5,7 ltr	860818	24V / 4.0kW	was 860107
16.280 HOC, HOCL	1984.02	1987.04	D2566MTHO 11,4ltr	860508GB	24V / 5.4kW	
16.280 HOC, HOCL	1984.02	1987.04	D2566MTHO 11,4ltr	860508GB	24V / 5.4kW	
18.310 HOCL	1995.03	1996.09	D2866LOH24 12,0 ltr	860506GB	24V / 6.6kW	
18.310 HOCL	1995.03	1996.09	D2866LOH24 12,0 ltr	860508GB	24V / 5.4kW	
18.310 HOCL	1996.09	2001.09	D2866LOH25 12,0 ltr	860506GB	24V / 6.6kW	
18.310 HOCL	1996.09	1996.1	D2866LOH25 12,0 ltr	860508GB	24V / 5.4kW	
18.310 HOCL	1996.11	2001.09	D2866LOH25 12,0 ltr	860508GB	24V / 5.4kW	
18.310 HOCL	2001.01		D2866LOH27 12,0 ltr	860508GB	24V / 5.4kW	KB for heat shield
18.310 HOCL	2001.01		D2866LOH27 12,0 ltr	860506GB	24V / 6.6kW	
18.310 HOCL	2001.01		D2866LOH27 12,0 ltr	860508GB	24V / 5.4kW	
18.310 HOCL.NL	1998.07		D2866LUH26 12,0 ltr	860506GB	24V / 6.6kW	

BUS & COACH APPLICATION GUIDE 2019

STARTER MOTORS



OUTPUT
V / KW

NOTES / NOTAS /
ANMERKUNG

MAN						
18.310 HOCL.NL	1998.07		D2866LUH26 12,0 ltr	860508GB	24V / 5.4kW	
18.310 HOCL.NL	2001.01		D2866LUH24 12,0 ltr	860506GB	24V / 6.6kW	
18.310 HOCL.NL	2001.01		D2866LUH24 12,0 ltr	860508GB	24V / 5.4kW	
18.410 HOC	2002.09		D2866LOH29 12,0 ltr	860508GB	24V / 5.4kW	KB for heat shield
18.410 HOC	2002.09		D2866LOH29 12,0 ltr	860506GB	24V / 6.6kW	
18.410 HOC	2002.09		D2866LOH29 12,0 ltr	860508GB	24V / 5.4kW	
18.410 HOCL	1999.1		D2876LOH02 12,0 ltr	860508GB	24V / 5.4kW	
18.410 HOCL	1999.1		D2876LOH05 12,0 ltr	860508GB	24V / 5.4kW	KB for heat shield
18.410 HOCL	1999.1		D2876LOH05 12,0 ltr	860506GB	24V / 6.6kW	
22.331 HOCLN	1989.09	1990.05	D2866LOH 12,0 ltr.	860508GB	24V / 5.4kW	
24.400 HOCLLN,HOCLN	1998.07	2001.09	D2866LOH23 12,0 ltr	860506GB	24V / 6.6kW	
24.400 HOCLLN,HOCLN	1998.07	2001.09	D2866LOH23 12,0 ltr	860508GB	24V / 5.4kW	
24.400 HOCLN	1996.07	2000.12	D2866LOH24 12,0 ltr	860506GB	24V / 6.6kW	
24.400 HOCLN	1996.07	2000.12	D2866LOH24 12,0 ltr	860508GB	24V / 5.4kW	
24.410 HOCLLN,HOCLN	1998.07	2001.09	D2876LOH05 12,8 ltr	860506GB	24V / 6.6kW	
24.410 HOCLLN,HOCLN	1998.07	2001.09	D2876LOH05 12,8 ltr	860508GB	24V / 5.4kW	
24.410 HOCLLN,HOCLN	2002.09		D2866LOH29 12,0 ltr	860508GB	24V / 5.4kW	KB for heat shield
24.410 HOCLLN,HOCLN	2002.09		D2866LOH29 12,0 ltr	860506GB	24V / 6.6kW	
24.410 HOCLLN,HOCLN	2002.09		D2866LOH29 12,0 ltr	860508GB	24V / 5.4kW	
464 Lion's Star	2001.1		D2876LOH03 12,0ltr	860508GB	24V / 5.4kW	KB for heat shield
464 Lion's Star	2001.1		D2876LOH03 12,0ltr	860506GB	24V / 6.6kW	
464 Lion's Star	2001.1		D2876LOH03 12,0ltr	860508GB	24V / 5.4kW	
464 Lion's Top Star	2001.02		D2876LOH03 12,8ltr	860508GB	24V / 5.4kW	KB for heat shield
464 Lion's Top Star	2001.02		D2876LOH03 12,8ltr	860506GB	24V / 6.6kW	
464 Lion's Top Star	2001.02		D2876LOH03 12,8ltr	860508GB	24V / 5.4kW	
8.150 FOC	1987.09	1995.05	D0826GF, GF01, GF03 6,9 ltr	861037	24V / 4.0kW	was 858318
8.150 FOC, FOCL	1995.02	1998.07	D0824LFO-01 4,6 ltr	861037	24V / 4.0kW	was 858318
8.150 FOC, FOCL	1995.02	1998.07	D0824LFO-01 4,6 ltr	860818	24V / 4.0kW	was 860107
8.220 FOC. FOCL	1995.04		D0826LFL03 6.9ltr	860818	24V / 4.0kW	
DEMARREUR VANHOOL AG330 ES				860818	24V / 4.0kW	51262017157
EL 202	1993.01	1997.06	D0826LUH03 4,6ltr	860508GB	24V / 5.4kW	
EL 202	1993.01	1997.06	D0826LUH03 4,6ltr	860508GB	24V / 5.4kW	
EL 202 F	1996.02	1997.06	D0826LUH 6.9ltr	860508GB	24V / 5.4kW	
EL 202 F	1996.02	1997.06	D0826LUH 6.9ltr	860508GB	24V / 5.4kW	
EL 222	1995.11	2001.09	D0826LUH12 6,9ltr	860508GB	24V / 5.4kW	
EL 222	1995.11	2001.09	D0826LUH12 6,9ltr	860508GB	24V / 5.4kW	
EL 222	2000.02	2001.09	D0826LUH12 6,9ltr	860818	24V / 4.0kW	was 860107
EL 222 F	1997.06	1999.05	D0826LUH12 6,9ltr	860508GB	24V / 5.4kW	
EL 222 F	1997.06	1999.05	D0826LUH12 6,9ltr	860508GB	24V / 5.4kW	
EL 262	1996.02	2001.09	D0826LUH13 6,9ltr	860508GB	24V / 5.4kW	KB
EL 262	1996.02	2001.09	D0826LUH13 6,9ltr	860508GB	24V / 5.4kW	
EL 262	1998.07	2001.09	D2866LUH22 12,0ltr	860506GB	24V / 6.6kW	



OUTPUT
V / KW

NOTES / NOTAS /
ANMERKUNG

MAN

EL 262	1998.07	2001.09	D2866LUH22 12,0ltr	860508GB	24V / 5.4kW	
EL 262	2000.02	2001.09	D0826LUH13 6,9ltr	860818	24V / 4.0kW	was 860107
EL 262 F	1997.06	1999.05	D0826LUH13 6,9ltr	860508GB	24V / 5.4kW	KB 9Teeth
EL 262 F	1997.06	1999.05	D0826LUH13 6,9ltr	860508GB	24V / 5.4kW	KB 9Teeth
EM 192	1993.1	1997.06	D0826LOH06 6,9ltr	861037	24V / 4.0kW	was 858318
EM 192	1993.1	1997.06	D0826LOH06 6,9ltr	860508GB	24V / 5.4kW	
EM 192	1993.1	1997.06	D0826LOH06 6,9ltr	860508GB	24V / 5.4kW	
EM 220	1999.11		D0836LOH03 6,9ltr	861037	24V / 4.0kW	was 858318
EM 220	1999.11		D0836LOH03 6,9ltr	860508GB	24V / 5.4kW	
EM 220	1999.11		D0836LOH03 6,9ltr	860508GB	24V / 5.4kW	
EM 220	2000.02		D0836LOH03 6,9ltr	860818	24V / 4.0kW	was 860107
EM 223	1987.08		D0826LOH / LUM1215 6.9ltr	860818	24V / 4.0kW	
FR 292	1986.03	1992.04	D2866TUH/290 12,0ltr	860506GB	24V / 6.6kW	
FR 292	1992.04	1992.12	D2866TOH/310 12,0ltr	860508GB	24V / 5.4kW	
FRH 292	1985.05	1991.03	D2866TUH/290 12,0ltr	860506GB	24V / 6.6kW	
FRH 292	1991.03	1992.12	D2866TUH/290 12,0ltr	860508GB	24V / 5.4kW	
FRH 352	1995.09	1999.1	D2866LOH26 12,0ltr	860506GB	24V / 6.6kW	
FRH 352	1995.09	1999.1	D2866LOH26 12,0ltr	860508GB	24V / 5.4kW	
FRH 352 F	1998.07	2001.09	D2866LOH26 12,0ltr	860508GB	24V / 5.4kW	
FRH 352 F	1998.07	2001.09	D2866LUH21 12,0ltr	860506GB	24V / 6.6kW	
FRH 362	1985.05	1992.12	D2866KUH/360 12,0ltr	860506GB	24V / 6.6kW	
FRH 402	1995.09	1999.11	D2866LOH23 12,0ltr	860506GB	24V / 6.6kW	
FRH 402	1995.09	1999.11	D2866LOH23 12,0ltr	860508GB	24V / 5.4kW	
FRH 402 F	1998.07	2001.09	D2866LOH23 12,0ltr	860506GB	24V / 6.6kW	
FRH 402 F	1998.07	2001.09	D2866LOH23 12,0ltr	860508GB	24V / 5.4kW	
FRH 422 Lion's Star	1993.01	1996.09	D2866LOH20 12,0ltr	860508GB	24V / 5.4kW	
FRH 422 Lion's Star	1993.01	1996.09	D2866LOH21 12,0ltr	860506GB	24V / 6.6kW	
HOCL				M85R3003SE	24V / 5.0kW	
HOCL 14.290 HOCL-NL			6.9ltr (213kW / 290hp)	860813	24V / 4.0kW	11t Pinion
HOCL 18.290 HOCL-NL			6.9ltr (213kW / 290hp)	860813	24V / 4.0kW	11t Pinion
LC				M85R3003SE	24V / 5.0kW	
LC 19.240			D0836LOH52 6.9ltr	860813	24V / 4.0kW	
LC LC 19.240			6.9ltr (176kW / 240hp)	860813	24V / 4.0kW	11t Pinion
LC LC 19.280			6.9ltr (206kW / 280hp)	860813	24V / 4.0kW	11t Pinion
LC LC 19.290			6.9ltr (213kW / 290hp)	860813	24V / 4.0kW	11t Pinion
LION'S CITY				M85R3003SE	24V / 5.0kW	
LION'S CITY A 35	2009.10		6.9ltr (184kW / 250hp)	860813	24V / 4.0kW	11t Pinion
LION'S CITY A 35	2009.10		6.9ltr (213kW / 290hp)	860813	24V / 4.0kW	11t Pinion
LION'S CITY A 37			6.9ltr (206kW / 280hp)	860813	24V / 4.0kW	11t Pinion
LION'S CITY A 66	2009.02		6.9ltr (213kW / 290hp)	860813	24V / 4.0kW	11t Pinion
LION'S CITY A 66	2009.02		6.9ltr (184kW / 250hp)	860813	24V / 4.0kW	11t Pinion
ND 222 F	1997.06	2001.09	D0826LUH12 6,9ltr	860508GB	24V / 5.4kW	

BUS & COACH APPLICATION GUIDE 2019

STARTER MOTORS



OUTPUT
V / KW

NOTES / NOTAS /
ANMERKUNG

MAN						
ND 222 F	1997.06	2001.09	D0826LUH12 6,9ltr	860508GB	24V / 5.4kW	
NG 232	1994.04	1999.11	E2866DUH01 12,0ltr	860506GB	24V / 6.6kW	
NG 232	1994.04	1999.11	E2866DUH01 12,0ltr	860508GB	24V / 5.4kW	
NG 243 EEV LPG	2002.06		G2866DUH05 12,0ltr	860508GB	24V / 5.4kW	
NG 262	1997.06	1998.07	D0826LUH13 6,9ltr	860508GB	24V / 5.4kW	
NG 262	1997.06	1998.07	D0826LUH13 6,9ltr	860508GB	24V / 5.4kW	
NG 262	1997.06	1998.07	D2866LUH22 12,0ltr	860506GB	24V / 6.6kW	
NG 262	1997.06	1998.07	D2866LUH22 12,0ltr	860508GB	24V / 5.4kW	
NG 263 Lion's City G	2001.01		D2866LUH23 12,0ltr	860508GB	24V / 5.4kW	
NG 263 Lion's City G	2001.01		D2866LUH23 12,0ltr	860506GB	24V / 6.6kW	
NG 263 Lion's City G	2001.01		D2866LUH23 12,0ltr	860508GB	24V / 5.4kW	
NG 263, F	1998.07	2001.12	D2866LUH22 12,0ltr	860506GB	24V / 6.6kW	
NG 263, F	1998.07	2001.12	D2866LUH22 12,0ltr	860508GB	24V / 5.4kW	
NG 263, F	2001.01		D2866LUH23 12,0ltr	860508GB	24V / 5.4kW	
NG 263, F	2001.01		D2866LUH23 12,0ltr	860506GB	24V / 6.6kW	
NG 263, F	2001.01		D2866LUH23 12,0ltr	860508GB	24V / 5.4kW	
NG 272	1990.06	1995.08	D0826LUH 6,9ltr	860818	24V / 4.0kW	was 860107
NG 272	1992.08	1995.09	D0826LUH01 6.9ltr	860508GB	24V / 5.4kW	KB 9Tteeth
NG 312	1995.09	1998.07	D2866LUH07 10,0ltr	860508GB	24V / 5.4kW	
NG 312	1998.07	1999.11	D2866LUH26 12,0ltr	860508GB	24V / 5.4kW	
NG 313 Lion's City G	2001.01		D2866LUH24 12,0ltr	860508GB	24V / 5.4kW	
NG 313 Lion's City G	2001.01		D2866LUH24 12,0ltr	860506GB	24V / 6.6kW	
NG 313 Lion's City G	2001.01		D2866LUH24 12,0ltr	860508GB	24V / 5.4kW	
NG 313, F	1998.07	2001.12	D2866LUH26 12,0ltr	860506GB	24V / 6.6kW	
NG 313, F	1998.07	2001.12	D2866LUH26 12,0ltr	860508GB	24V / 5.4kW	
NG 313, F	1998.07		E2866LUH01, LUH02 12,0ltr	860508GB	24V / 5.4kW	
NG 313, F	2001.01		D2866LUH24 12,0ltr	860508GB	24V / 5.4kW	
NG 313, F	2001.01		D2866LUH24 12,0ltr	860506GB	24V / 6.6kW	
NG 313, F	2001.01		D2866LUH24 12,0ltr	860508GB	24V / 5.4kW	
NG 333	2001.01		D2866LUH25 12,0ltr	860506GB	24V / 6.6kW	
NG 333	2001.01		D2866LUH25 12,0ltr	860508GB	24V / 5.4kW	
NG 353	2001.01	2001.12	D2866LUH21 12,0ltr	860506GB	24V / 6.6kW	
NG 353	2001.01	2001.12	D2866LUH21 12,0ltr	860508GB	24V / 5.4kW	
NG 363 F	2001.01		D2866LUH25 12,0ltr	860508GB	24V / 5.4kW	
NG 363 F	2001.01		D2866LUH25 12,0ltr	860506GB	24V / 6.6kW	
NG 363 F	2001.01		D2866LUH25 12,0ltr	860508GB	24V / 5.4kW	
NG 363 Lion's City G	2001.01		D2866LUH25 12,0ltr	860508GB	24V / 5.4kW	
NG 363 Lion's City G	2001.01		D2866LUH25 12,0ltr	860506GB	24V / 6.6kW	
NG 363 Lion's City G	2001.01		D2866LUH25 12,0ltr	860508GB	24V / 5.4kW	
NL 202	1989.09	1997.03	D0826LUH/213, LUH03 6,9ltr	860508GB	24V / 5.4kW	
NL 202	1994.04	1997.02	D0826LUH 6.9ltr	860818	24V / 4.0kW	was 860107
NL 222	1995.11	1999.11	D0826LUH12 6,9ltr	860508GB	24V / 5.4kW	

Starter Motors



OUTPUT
V / KW

NOTES / NOTAS /
ANMERKUNG

MAN

MAN						
NL 222	1995.11	1999.11	D0826LUH12 6,9ltr	860508GB	24V / 5.4kW	
NL 222 F	1996.02	2001.09	D0826LUH12 6,9ltr	860508GB	24V / 5.4kW	
NL 222 F	1996.02	2001.09	D0826LUH12 6,9ltr	860508GB	24V / 5.4kW	
NL 222 F	2000.02	2001.09	D0826LUH12 6,9ltr	860818	24V / 4.0kW	was 860107
NL 223, F	1996.02	2001.09	D0826LUH12 6,9ltr	860508GB	24V / 5.4kW	
NL 223, F	1996.02	2001.09	D0826LUH12 6,9ltr	860508GB	24V / 5.4kW	
NL 223, F	2000.02	2001.09	D0826LUH12 6,9ltr	860818	24V / 4.0kW	was 860107
NL 223, F	2001.01		D0836LUH02 6,9ltr	860818	24V / 4.0kW	was 860107
NL 232, F	1994.04	2000.06	E2866DUH01 12,0ltr	860506GB	24V / 6.6kW	
NL 232, F	1994.04	2000.06	E2866DUH01 12,0ltr	860508GB	24V / 5.4kW	
NL 233, F	1998.07		E2866DUH02 12,0ltr	860506GB	24V / 6.6kW	
NL 233, F	1998.07		E2866DUH02 12,0ltr	860508GB	24V / 5.4kW	
NL 243 F EEV LPG	2002.06		G2866DUH05 12,0ltr	860508GB	24V / 5.4kW	
NL 243, F	2002.01		E2866DUH03 12,0ltr	860506GB	24V / 6.6kW	
NL 243, F	2002.01		E2866DUH03 12,0ltr	860508GB	24V / 5.4kW	
NL 262	1996.02	1999.11	D0826LUH13 6,9ltr	860508GB	24V / 5.4kW	
NL 262	1996.02	1999.11	D0826LUH13 6,9ltr	860508GB	24V / 5.4kW	
NL 262	1997.06	1998.07	D2865LUH09 10,0ltr	860508GB	24V / 5.4kW	
NL 262	1998.07	1999.11	D2866LUH22 12,0ltr	860506GB	24V / 6.6kW	
NL 262	1998.07	1999.11	D2866LUH22 12,0ltr	860508GB	24V / 5.4kW	
NL 263 Lion's City, City LL	2001.01		D2866LUH23 12,0ltr	860508GB	24V / 5.4kW	
NL 263 Lion's City, City LL	2001.01		D2866LUH23 12,0ltr	860506GB	24V / 6.6kW	
NL 263 Lion's City, City LL	2001.01		D2866LUH23 12,0ltr	860508GB	24V / 5.4kW	
NL 263, F	1998.07	2001.09	D0826LUH13 6,9ltr	860508GB	24V / 5.4kW	
NL 263, F	1998.07	2001.09	D0826LUH13 6,9ltr	860508GB	24V / 5.4kW	
NL 263, F	1998.07	2001.09	D2866LUH22 12,0ltr	860506GB	24V / 6.6kW	
NL 263, F	1998.07	2001.09	D2866LUH22 12,0ltr	860508GB	24V / 5.4kW	
NL 263, F	1998.07		D2866LUH23 12,0ltr	860508GB	24V / 5.4kW	
NL 263, F	1998.07		D2866LUH23 12,0ltr	860506GB	24V / 6.6kW	
NL 263, F	1998.07		D2866LUH23 12,0ltr	860508GB	24V / 5.4kW	
NL 263, F	2000.02	2001.09	D0826LUH13 6,9ltr	860818	24V / 4.0kW	was 860107
NL 283, F	2001.01		D0836LUH01 6,9ltr	860818	24V / 4.0kW	was 860107
NL 312, F	1995.11	2001.09	D2865LUH07 10,0ltr	860508GB	24V / 5.4kW	
NL 313 Lion's City LL	2001.01		D2866LUH24, LUH25 12,0ltr	860508GB	24V / 5.4kW	
NL 313 Lion's City LL	2001.01		D2866LUH24, LUH25 12,0ltr	860506GB	24V / 6.6kW	
NL 313 Lion's City LL	2001.01		D2866LUH24, LUH25 12,0ltr	860508GB	24V / 5.4kW	
NL 313 Lion's City LL	2004.05		E2876LUH01 12,8ltr	860508GB	24V / 5.4kW	
NL 313 Lion's City LL	2004.05		E2876LUH01 12,8ltr	860508GB	24V / 5.4kW	
NL 313, F	1998.07	2002.09	D2866LUH26 12,0ltr	860506GB	24V / 6.6kW	
NL 313, F	1998.07	2002.09	D2866LUH26 12,0ltr	860508GB	24V / 5.4kW	
NL 313, F	1998.07	2001.12	E2866LUH01, LUH02 12,0ltr	860508GB	24V / 5.4kW	
NL 313, F	2001.01		D2866LUH24 12,0ltr	860508GB	24V / 5.4kW	

BUS & COACH APPLICATION GUIDE 2019

STARTER MOTORS



OUTPUT
V / KW

NOTES / NOTAS /
ANMERKUNG

MAN						
NL 313, F	2001.01		D2866LUH24 12,0ltr	860506GB	24V / 6.6kW	
NL 313, F	2001.01		D2866LUH24 12,0ltr	860508GB	24V / 5.4kW	
NL 313, F	2002.09		E2866LUH01, LUH02 12,0ltr	860508GB	24V / 5.4kW	
NL 353, F	1998.08	2001.12	D2866LUH21 12,0ltr	860506GB	24V / 6.6kW	
NL 353, F	1998.08	2001.12	D2866LUH21 12,0ltr	860508GB	24V / 5.4kW	
NL 363, F	2001.01		D2866LUH25 12,0ltr	860508GB	24V / 5.4kW	
NL 363, F	2001.01		D2866LUH25 12,0ltr	860506GB	24V / 6.6kW	
NL 363, F	2001.01		D2866LUH25 12,0ltr	860508GB	24V / 5.4kW	
NM				M85R3003SE	24V / 5.0kW	
NM 152	1990.05	1993.1	D0826OH02 6,9 ltr	861037	24V / 4.0kW	was 858318
NM 152	1991.08	1996.05	D0824LFO-01 4,6 ltr	861037	24V / 4.0kW	was 858318
NM 152	1991.08	1996.05	D0824LFO-01 4,6 ltr	860818	24V / 4.0kW	was 860107
NM 182	1990.05	1993.1	D0826TOH01 6,9ltr	861037	24V / 4.0kW	was 858318
NM 192	1993.1	1997.03	D0826LOH01 6,9ltr	861037	24V / 4.0kW	was 858318
NM 192	1993.1	1997.03	D0826LOH01 6,9ltr	860508GB	24V / 5.4kW	9T pinion
NM 222 F	1997.06	2001.09	D0826LUH12 6,9ltr	860508GB	24V / 5.4kW	
NM 222 F	1997.06	2001.09	D0826LUH12 6,9ltr	860508GB	24V / 5.4kW	
NM 222 F	2000.02	2001.09	D0826LUH12 6,9ltr	860818	24V / 4.0kW	was 860107
NM 223 F	2000.01		D0836LOH03 6,9ltr	861037	24V / 4.0kW	was 858318
NM 223 F	2000.01		D0836LOH03 6,9ltr	860508GB	24V / 5.4kW	
NM 223 F	2000.01		D0836LOH03 6,9ltr	860508GB	24V / 5.4kW	
NM 223 F	2000.02		D0836LOH03 6,9ltr	860818	24V / 4.0kW	was 860107
NM 283 F	2001.1		D0836LOH02 6,9ltr	861037	24V / 4.0kW	was 858318
NM 283 F	2001.1		D0836LOH02 6,9ltr	860818	24V / 4.0kW	was 860107
NM 283 F	2001.1		D0836LOH02 6,9ltr	860508GB	24V / 5.4kW	
NM 283 F	2001.1		D0836LOH02 6,9ltr	860508GB	24V / 5.4kW	
NM NM 293			6.9ltr (213kW / 290hp)	860813	24V / 4.0kW	11t Pinion
NÜ 233	1998.07		E2866DUH02 12,0ltr	860506GB	24V / 6.6kW	
NÜ 233	1998.07		E2866DUH02 12,0ltr	860508GB	24V / 5.4kW	
NÜ 243	2002.01		E2866DUH03 12,0ltr	860506GB	24V / 6.6kW	
NÜ 243	2002.01		E2866DUH03 12,0ltr	860508GB	24V / 5.4kW	
NÜ 263	1996.09	1998.07	D2865LUH09 10,0ltr	860508GB	24V / 5.4kW	
NÜ 263	1998.07	2001.09	D0826LUH13 6,9ltr	860508GB	24V / 5.4kW	
NÜ 263	1998.07	2001.09	D0826LUH13 6,9ltr	860508GB	24V / 5.4kW	
NÜ 263	1998.07	2001.09	D2866LUH22 12,0ltr	860506GB	24V / 6.6kW	
NÜ 263	1998.07	2001.09	D2866LUH22 12,0ltr	860508GB	24V / 5.4kW	
NÜ 263	2000.02	2001.09	D0826LUH13 6,9ltr	860818	24V / 4.0kW	was 860107
NÜ 263	2001.01		D2866LUH23 12,0ltr	860506GB	24V / 6.6kW	
NÜ 263	2001.01		D2866LUH23 12,0ltr	860508GB	24V / 5.4kW	
NÜ 263 Lion's City Ü	2001.01		D2866LUH23 12,0ltr	860508GB	24V / 5.4kW	
NÜ 263 Lion's City Ü	2001.01		D2866LUH23 12,0ltr	860506GB	24V / 6.6kW	
NÜ 263 Lion's City Ü	2001.01		D2866LUH23 12,0ltr	860508GB	24V / 5.4kW	



OUTPUT
V / KW

NOTES / NOTAS /
ANMERKUNG

MAN						
Model	Year	Year	Engine	Part No.	Output	Notes
NÜ 283	2001.01		D0836LUH01 12,0ltr	860818	24V / 4.0kW	was 860107
NÜ 313	1998.02		D2866LUH24 12,0ltr	860508GB	24V / 5.4kW	for heat cap
NÜ 313	1998.02		D2866LUH24 12,0ltr	860506GB	24V / 6.6kW	
NÜ 313	1998.02		D2866LUH24 12,0ltr	860508GB	24V / 5.4kW	
NÜ 313	1998.02	2001.12	D2866LUH26 12,0ltr 228kw	860506GB	24V / 6.6kW	
NÜ 313	1998.02	2001.12	D2866LUH26 12,0ltr 228kw	860508GB	24V / 5.4kW	
NÜ 313	1998.02		E2866LUH01, LUH02 12,0ltr	860508GB	24V / 5.4kW	
NÜ 313	2004.05		E2876DUH01 12.8ltr 228kw	860508GB	24V / 5.4kW	
NÜ 313 Lion's City ÜLL	1998.02		D2866LUH24 12,0ltr	860508GB	24V / 5.4kW	
NÜ 313 Lion's City ÜLL	1998.02		D2866LUH24 12,0ltr	860506GB	24V / 6.6kW	
NÜ 313 Lion's City ÜLL	1998.02		D2866LUH24 12,0ltr	860508GB	24V / 5.4kW	
NÜ 353	1998.02	2001.12	D2866LUH21 12,0ltr	860506GB	24V / 6.6kW	
NÜ 353	1998.02	2001.12	D2866LUH21 12,0ltr	860508GB	24V / 5.4kW	
NÜ 363	2001.01		D2866LUH25 12,0ltr	860506GB	24V / 6.6kW	
NÜ 363	2001.01		D2866LUH25 12,0ltr	860508GB	24V / 5.4kW	
NÜ 363 Lion's City ÜLL	2001.01		D2866LUH25 12,0ltr	860508GB	24V / 5.4kW	
NÜ 363 Lion's City ÜLL	2001.01		D2866LUH25 12,0ltr	860506GB	24V / 6.6kW	
NÜ 363 Lion's City ÜLL	2001.01		D2866LUH25 12,0ltr	860508GB	24V / 5.4kW	
Porto Star	1993.1	1995.02	D2866LOH07 12.0ltr	860508GB	24V / 5.4kW	
R 292	1986.03	1992.04	D2866 TUH/290 12,0ltr	860506GB	24V / 6.6kW	
R 292	1992.04	1993.01	D2866 TOH/310 12,0ltr	860508GB	24V / 5.4kW	
R 313 Lion's Comfort	1998.01	2001.12	D2866LUH26 12,0ltr	860506GB	24V / 6.6kW	
R 313 Lion's Comfort	1998.01	2001.12	D2866LUH26 12,0ltr	860508GB	24V / 5.4kW	
RH 352 Lion's Coach, Lion's Star	1998.07	2001.09	D2866LOH26 12,0ltr	860506GB	24V / 6.6kW	
RH 352 Lion's Coach, Lion's Star	1998.07	2001.09	D2866LOH26 12,0ltr	860508GB	24V / 5.4kW	
RH 402 Lion's Coach, Lion's Star	1998.07	2001.09	D2866LOH23 12,0ltr	860506GB	24V / 6.6kW	
RH 402 Lion's Coach, Lion's Star	1998.07	2001.09	D2866LOH23 12,0ltr	860508GB	24V / 5.4kW	
RH 403 F	1999.06	2001.09	D2866LOH23 12,0ltr	860506GB	24V / 6.6kW	
RH 403 F	1999.06	2001.09	D2866LOH23 12,0ltr	860508GB	24V / 5.4kW	
RH 403 Lion's Top Coach	1999.06	2001.09	D2866LOH23 12,0ltr	860506GB	24V / 6.6kW	
RH 463 Lion's Star, Lions Top Coach	1999.06	2001.09	D2876LOH01 12,8ltr	860506GB	24V / 6.6kW	
RH 463 Lion's Star, Lions Top Coach	1999.06	2001.09	D2876LOH01 12,8ltr	860508GB	24V / 5.4kW	
RHC 414 Lion's Coach, Lion's Top Coach	2002.09		D2866LOH34 12,0ltr	860508GB	24V / 5.4kW	KB for heat shield
RHC 414 Lion's Coach, Lion's Top Coach	2002.09		D2866LOH34 12,0ltr	860506GB	24V / 6.6kW	
RHC 414 Lion's Coach, Lion's Top Coach	2002.09		D2866LOH34 12,0ltr	860508GB	24V / 5.4kW	
RHC 464 Lion's Coach	2002.09		D2867LOH03 12,0ltr	860508GB	24V / 5.4kW	KB for heat shield

BUS & COACH APPLICATION GUIDE 2019 STARTER MOTORS



OUTPUT
V / KW

NOTES / NOTAS /
ANMERKUNG

MAN						
RHC 464 Lion's Coach	2002.09		D2867LOH03 12,0ltr	860506GB	24V / 6.6kW	6.6kW
RHC 464 Lion's Coach	2002.09		D2867LOH03 12,0ltr	860508GB	24V / 5.4kW	5.4kW
RHC 464 Lion's Top Coach	2002.09		D2876LOH03 12,0ltr	860508GB	24V / 5.4kW	KB for heat shield
RHC 464 Lion's Top Coach	2002.09		D2876LOH03 12,0ltr	860506GB	24V / 6.6kW	6.6kW
RHC 464 Lion's Top Coach	2002.09		D2876LOH03 12,0ltr	860508GB	24V / 5.4kW	5.4kW
RHS 414 Lion's Star, Lion's Top Star	2001.1		D2866LOH34 12,0ltr	860508GB	24V / 5.4kW	KB for heat shield
RHS 414 Lion's Star, Lion's Top Star	2001.1		D2866LOH34 12,0ltr	860506GB	24V / 6.6kW	
RHS 414 Lion's Star, Lion's Top Star	2001.1		D2866LOH34 12,0ltr	860508GB	24V / 5.4kW	
RHS 464 Lion's Star, Lion's Top Coach	2001.1		D2876LOH03 12,0ltr	860508GB	24V / 5.4kW	KB for heat shield
RHS 464 Lion's Star, Lion's Top Coach	2001.1		D2876LOH03 12,0ltr	860506GB	24V / 6.6kW	
RHS 464 Lion's Star, Lion's Top Coach	2001.1		D2876LOH03 12,0ltr	860508GB	24V / 5.4kW	
RN 313	1996.09	1998.03	D2866LUH20 12,0ltr	860506GB	24V / 6.6kW	
RN 313	1996.09	1998.03	D2866LUH20 12,0ltr	860508GB	24V / 5.4kW	
RN 353	1997.06	1998.03	D2866LUH21 12,0ltr	860506GB	24V / 6.6kW	
RN 353	1997.06	1998.03	D2866LUH21 12,0ltr	860508GB	24V / 5.4kW	
RÜ 240	1980.01	1988.12	D2866UH/240 12,0ltr	860506GB	24V / 6.6kW	
RÜ 280	1980.01	1988.12	D2566MTUH/280 11,4ltr	860506GB	24V / 6.6kW	
SD 200	1976.09	1980.04	D2566MUH/175, MUH/192 11,4ltr	860506GB	24V / 6.6kW	
SD 200	1980.05	1982.09	D2566MUH/200 11,4ltr	860506GB	24V / 6.6kW	
SD 200	1982.1	1986.11	D2566MUH/200 11,4ltr	860506GB	24V / 6.6kW	
SG 220	1976.09	1980.04	D2566MUM/220 11,4ltr	860506GB	24V / 6.6kW	
SG 220	1980.05	1980.09	D2566MUM/200 11,4ltr	860506GB	24V / 6.6kW	
SG 220	1980.05	1982.09	D2566MUM/240 11,4ltr	860506GB	24V / 6.6kW	
SG 220	1982.1	1985.01	D2566MUM/200 11,4ltr	860506GB	24V / 6.6kW	
SG 220	1982.1	1985.01	D2566MUM/240 11,4ltr	860506GB	24V / 6.6kW	
SG 240 H	1986.01	1986.12	D2866TUH/290, UH/240 12,0ltr	860506GB	24V / 6.6kW	
SG 240 HÜ, H, HÜ	1980.05	1982.09	D2566MTUH/280, MUH/240 11,4ltr	860506GB	24V / 6.6kW	
SG 242 F,H	1985.09	1994.04	D2866TUH/290, UH/240 12,0ltr	860506GB	24V / 6.6kW	
SG 242 H	1984.11	1985.09	D2566MUH/240 11,4ltr	860506GB	24V / 6.6kW	
SG 263, F	2003.06		D2866LUH23 12,0ltr	860508GB	24V / 5.4kW	KB for heat shield
SG 263, F	2003.06		D2866LUH23 12,0ltr	860506GB	24V / 6.6kW	
SG 263, F	2003.06		D2866LUH23 12,0ltr	860508GB	24V / 5.4kW	
SG 292	1992.04	1993.04	D2866TOH/310 12,0ltr	860508GB	24V / 5.4kW	
SG 292 H	1984.11	1989.09	D2866TUH/290 12,0ltr	860506GB	24V / 6.6kW	
SG 312	1996.02	1997.06	D2865LUH07 10,0ltr	860506GB	24V / 6.6kW	
SG 313 F	2004.06		S2866LUH24 12,0ltr	860506GB	24V / 6.6kW	
SG 313 F	2004.06		S2866LUH24 12,0ltr	860508GB	24V / 5.4kW	

Starter Motors



OUTPUT
V / KW

NOTES / NOTAS /
ANMERKUNG

MAN						
SG 322 F	1994.04	1997.06	D2865LUH08 10,0ltr	860508GB	24V / 5.4kW	
SL 200	1976.09	1980.04	D2566MUH/175, MUH/192 11,4ltr	860506GB	24V / 6.6kW	
SL 200 F	1980.05	1982.09	D2566MUH/200, MUH/240 11,4ltr	860506GB	24V / 6.6kW	
SL 200 F	1982.1	1986.01	D2566MUH/200, MUH/240 11,4ltr	860506GB	24V / 6.6kW	
SL 200 F	1983.06	1987.04	D2566UH/205 11,4ltr	860506GB	24V / 6.6kW	
SL 200 F	1986.01	1987.04	D2866UH/240 12,0ltr	860506GB	24V / 6.6kW	
SL 223	2003.06		D0836LOH03 6,9ltr	861037	24V / 4.0kW	was 858318
SL 223	2003.06		D0836LOH03 6,9ltr	860818	24V / 4.0kW	was 860107
SL 223	2003.06		D0836LOH03 6,9ltr	860508GB	24V / 5.4kW	
SL 223	2003.06		D0836LOH03 6,9ltr	860508GB	24V / 5.4kW	
SL 283	2003.06		D0836LOH02 6,9ltr	861037	24V / 4.0kW	was 858318
SL 283	2003.06		D0836LOH02 6,9ltr	860818	24V / 4.0kW	was 860107
SL 283	2003.06		D0836LOH02 6,9ltr	860508GB	24V / 5.4kW	
SL 283	2003.06		D0836LOH02 6,9ltr	860508GB	24V / 5.4kW	
SL II 202	1984.06	1994.04	D2866UH/240 12,0ltr	860506GB	24V / 6.6kW	
SL II 202 F	1984.06	1993.04	D2566UH 11,4ltr	860506GB	24V / 6.6kW	
SL II 202 F	1992.06	1994.03	E2866DUH01 12,0ltr	860508GB	24V / 5.4kW	
SL240	1985.02	1985.03	D2566MLUH 11,4 ltr	860506GB	24V / 6.6kW	
SM 152 MIDI	1987.11	1994.04	D0826OH02 6,9ltr	861037	24V / 4.0kW	was 858318
SM 182 MIDI	1987.11	1994.04	D0826TOH01 6,9ltr	861037	24V / 4.0kW	was 858318
SM 192 MIDI	1992.04	1995.02	D0826LOH01 6,9ltr	861037	24V / 4.0kW	was 858318
SM 192 MIDI	1992.04	1995.02	D0826LOH01 6,9ltr	860508GB	24V / 5.4kW	
SR 240	1976.09	1982.09	D2566MUH/240 11,4ltr	860506GB	24V / 6.6kW	
SR 240	1980.1	1983.06	D2566MUH/240 11,4ltr	860506GB	24V / 6.6kW	
SR 280 H	1977.01	1982.09	D2566MTUH/280 11,4ltr	860506GB	24V / 6.6kW	
SR 280 H	1982.1	1986.11	D2566MTUH/280 11,4ltr	860506GB	24V / 6.6kW	
SR 292 H	1985.05	1985.12	D2866TUH/290 12,0ltr	860506GB	24V / 6.6kW	
SR 321 H	1982.03	1982.09	D2566MKUH/320 11,4ltr	860506GB	24V / 6.6kW	
SR 321 H	1982.1	1982.11	D2566MKUH/320 11,4ltr	860506GB	24V / 6.6kW	
SR 361 H	1984.06	1986.11	D2866KUH/360 12,0ltr	860506GB	24V / 6.6kW	
SR 362 H	1985.09	1985.12	D2866KUH/360 12,0ltr	860506GB	24V / 6.6kW	
SÜ				M85R3003SE	24V / 5.0kW	
SÜ 223	1999.11	2001.01	D0826LOH19 6,9ltr	861037	24V / 4.0kW	was 858318
SÜ 223	1999.11	2001.01	D0826LOH19 6,9ltr	860508GB	24V / 5.4kW	
SÜ 223	1999.11	2001.01	D0826LOH19 6,9ltr	860508GB	24V / 5.4kW	
SÜ 223	2000.02	2001.09	D0826LOH19 6,9ltr	860818	24V / 4.0kW	was 860107
SÜ 240	1976.09	1980.04	D2566MUH/192 11,4ltr	860506GB	24V / 6.6kW	
SÜ 240	1976.09	1982.09	S2566MUH/200, MUH/240 11,4ltr	860506GB	24V / 6.6kW	
SÜ 240	1982.1	1986.01	S2566MUH/200, MUH/240 11,4ltr	860506GB	24V / 6.6kW	

BUS & COACH APPLICATION GUIDE 2019

STARTER MOTORS



OUTPUT
V / KW

NOTES / NOTAS /
ANMERKUNG

MAN						
SÜ 240	1982.11	1986.01	S2566MTUH/280 11,4ltr	860506GB	24V / 6.6kW	
SÜ 240	1986.01	1989.09	D2566UH/205 11,4ltr	860506GB	24V / 6.6kW	
SÜ 240 F	1977.02	1982.09	D2566MTUH/280 11,4ltr	860506GB	24V / 6.6kW	
SÜ 240 F	1982.1	1986.01	D2566MTUH/280 11,4ltr	860506GB	24V / 6.6kW	
SÜ 240 F	1982.1	1986.01	D2566MUH/200, MUH/240 11,4ltr	860506GB	24V / 6.6kW	
SÜ 240 F	1986.01	1989.09	D2866TUH/290, UH/240 12,0ltr	860506GB	24V / 6.6kW	
SÜ 242	1987.01	1993.04	D2866UH/240 12,0ltr	860506GB	24V / 6.6kW	
SÜ 263	1999.11	2001.09	D0826LOH 6,9ltr	861037	24V / 4.0kW	was 858318
SÜ 263	1999.11	2001.09	D0826LOH 6,9ltr	860508GB	24V / 5.4kW	
SÜ 263	1999.11	2001.09	D0826LOH 6,9ltr	860508GB	24V / 5.4kW	
SÜ 263	2000.02	2001.09	D0826LOH 6,9ltr	860818	24V / 4.0kW	was 860107
SÜ 272	1993.04	1995.05	D2865LUH02 10,0ltr	860508GB	24V / 5.4kW	
SÜ 283	2000		D0836LOH02 6,9ltr 206kw	861037	24V / 4.0kW	was 858318
SÜ 292	1992.04	1993.04	D2866TOH/310 12,0ltr	860508GB	24V / 5.4kW	
SÜ 313	1998.02	2001.12	D2866LUH26 12,0ltr 228kw	860506GB	24V / 6.6kW	
SÜ 313	1998.02	2001.12	D2866LUH26 12,0ltr 228kw	860508GB	24V / 5.4kW	
SÜ 313	1999.01		D2866LUH26 12,0ltr	860506GB	24V / 6.6kW	
SÜ 313	1999.01		D2866LUH26 12,0ltr	860508GB	24V / 5.4kW	
SÜ 313 F	2004.06		D 2866LUH24 12,0ltr	860508GB	24V / 5.4kW	KB for heat shield
SÜ 313 F	2004.06		D 2866LUH24 12,0ltr	860506GB	24V / 6.6kW	
SÜ 313 F	2004.06		D 2866LUH24 12,0ltr	860508GB	24V / 5.4kW	
SÜ 313 Lion's Classic Ü	2004.06		D 2866LUH24 12,0ltr	860508GB	24V / 5.4kW	KB for heat shield
SÜ 313 Lion's Classic Ü	2004.06		D 2866LUH24 12,0ltr	860506GB	24V / 6.6kW	
SÜ 313 Lion's Classic Ü	2004.06		D 2866LUH24 12,0ltr	860508GB	24V / 5.4kW	
SÜ 322	1995.05	1997.06	D2865LUH08 10,0ltr	860508GB	24V / 5.4kW	
SÜ 363 Lion's Classic Ü	2004.06		D 2866LUH25 12,0ltr	860508GB	24V / 5.4kW	KB for heat shield
SÜ 363 Lion's Classic Ü	2004.06		D 2866LUH25 12,0ltr	860506GB	24V / 6.6kW	
SÜ 363 Lion's Classic Ü	2004.06		D 2866LUH25 12,0ltr	860508GB	24V / 5.4kW	
SÜ 383 F	2004.06		D 2866LUH25 12,0ltr	860508GB	24V / 5.4kW	KB for heat shield
SÜ 383 F	2004.06		D 2866LUH25 12,0ltr	860506GB	24V / 6.6kW	
SÜ 383 F	2004.06		D 2866LUH25 12,0ltr	860508GB	24V / 5.4kW	
ÜL242	1989.09	1993.03	D2866UH/240 12,0ltr	860506GB	24V / 6.6kW	
ÜL272	1993.03	1995.09	D2865LUH02, LUH05 10,0ltr	860508GB	24V / 5.4kW	
ÜL292	1989.09	1993.03	D2866TUH01 12,0ltr	860506GB	24V / 6.6kW	
ÜL312	1995.09	1996.03	D2865LUH07 10,0ltr	860508GB	24V / 5.4kW	
ÜL313	1996.01	2001.09	D2866LUH20 12,0ltr	860506GB	24V / 6.6kW	
ÜL313	1996.01	2001.09	D2866LUH20 12,0ltr	860508GB	24V / 5.4kW	
ÜL313	1999.05		D2866LUH24 12,0ltr	860508GB	24V / 5.4kW	with heat cap
ÜL313	1999.05		D2866LUH24 12,0ltr	860506GB	24V / 6.6kW	
ÜL313	1999.05		D2866LUH24 12,0ltr	860508GB	24V / 5.4kW	
ÜL313 Lion's Comfort	1999.05	2001.12	D2866LUH26 12,0ltr	860508GB	24V / 5.4kW	
ÜL314, Lion's Regio	2004.06		D2866LUH24 12,0ltr	860508GB	24V / 5.4kW	KB for heat shield



OUTPUT
V / KW

NOTES / NOTAS /
ANMERKUNG

MAN

ÜL314, Lion's Regio	2004.06		D2866LUH24 12,0ltr	860506GB	24V / 6.6kW	
ÜL314, Lion's Regio	2004.06		D2866LUH24 12,0ltr	860508GB	24V / 5.4kW	
ÜL322	1992.04	1995.09	D2865LUH08 10,0ltr	860508GB	24V / 5.4kW	
ÜL353 Lion's Comfort	1997.06	2001.12	D2866LUH21 12,0ltr	860506GB	24V / 6.6kW	
ÜL363	2001.01		D2866LUH25 12,0ltr	860508GB	24V / 5.4kW	KB for heat shield
ÜL363	2001.01		D2866LUH25 12,0ltr	860506GB	24V / 6.6kW	
ÜL363	2001.01		D2866LUH25 12,0ltr	860506GB	24V / 6.6kW	
ÜL364, Lion's Regio L	2004.06		D2866LUH25 12,0ltr	860506GB	24V / 6.6kW	
ÜL364, Lion's Regio L	2004.06		D2866LUH25 12,0ltr	860508GB	24V / 5.4kW	

MCW BUSES

Metrobus	1984	1989	Cummins LT10 250/290	MS1-411A	24V / 8.3kW	was MS1/111
Metroliner	1983		Cummins LT10 290	MS1-411A	24V / 8.3kW	was MS1/111
Metrorider	1986	1989	Cummins 6BTA	MS4-401	24V / 5.5kW	was 856766

MERCEDES-BENZ

711 D	1994.06	2001.02	OM354.902, 903A 4,0 ltr	861036	24V / 4.0kW	was 858780
Citaro G O 530	1998.01		6.3ltr, 185kW	M105R3031SE	24V / 7.5kW	
Citaro G O 530	2000.04		11.9ltr, 240kW	M105R3031SE	24V / 7.5kW	
Citaro G, N O 530	1998.01		6.4ltr, 170kW, 180kW, 205kW	860321	24V / 4.0kW	upgrade M93R3066SE
Citaro GN3, GN3 UESTRA, GNUE3, N3 UESTRA, N3/NUE3	1998.01		OM457.933HLA, 934HLA, 935HLA	860506GB	24V / 6.6kW	Vehicle 522018/02
Citaro L O 530 N3	1999.01		OM457.934HLA, 935HLA	860506GB	24V / 6.6kW	Vehicle 522018/02
Citaro L O 530 N3	1999.01		OM906.930HLA, 960LA	860321	24V / 4.0kW	upgrade M93R3066SE
Citaro L O 530 N3	1999.01		OM909.901LA 6,4 ltr	860321	24V / 4.0kW	upgrade M93R3066SE
Citaro L O 530 N3	1999.01		OM909.921LA	860321	24V / 4.0kW	upgrade M93R3066SE
Citaro N O 530	1998.01		11.9ltr, 185kW	M105R3031SE	24V / 7.5kW	
Citaro NG O 530	2000.04		11.9, 240kW	M105R3031SE	24V / 7.5kW	
Citaro O 530	1998.01		11.9ltr, 260kW	M105R3031SE	24V / 7.5kW	
Citaro O 530 GN3, GN3 UESTRA, GNUE3, N3, UESTRA, N3/NUE3	1998.01		OM909.900LA, 901LA 6.4ltr	860321	24V / 4.0kW	upgrade M93R3066SE
Citaro O 530 GN3, GNUE3, N3/NUE3	1999.01		OM909.921LA	860321	24V / 4.0kW	upgrade M93R3066SE
Citaro O 530 GN3, N3, N3 UESTRA, NUE3	1999.04		OM906.930HLA, 960LA, 961, 962	860321	24V / 4.0kW	upgrade M93R3066SE
Citaro O 530 GNG3 UESTRA, N3, N3 UESTRA	2000.04		476.930HLA, .932HLA	860506GB	24V / 6.6kW	Vehicle 522018/02
Cito O 520	1999.01		OM904LA 4,3ltr	860321	24V / 4.0kW	upgrade M93R3066SE
Conecto C, H, M, UE O 345	2001.11		11.9ltr, 185kW, 220kW, 260kW	M105R3031SE	24V / 7.5kW	
Conecto C, H, UE O 345	2001.11		6.4ltr, 205kW	860321	24V / 4.0kW	upgrade M93R3066SE
Conecto O 345	2001.05		OM906.960 6.4ltr 205kw	860321	24V / 4.0kW	upgrade M93R3066SE
Integro O 550 Ü, ÜH	1999.09		OM447HLA, OM447.903 184-260kw	860506GB	24V / 6.6kW	
Intouro O 560	2000.01		OM441LA 11,0ltr 250kw	860508GB	24V / 5.4kW	

BUS & COACH APPLICATION GUIDE 2019

STARTER MOTORS



OUTPUT
V / KW

NOTES / NOTAS /
ANMERKUNG

MERCEDES-BENZ

Intouro O 560	2000.01		OM441LA 11,0ltr	860508GB	24V / 5.4kW	
LK/LN2 814LO, 817LO, 1117LO	1996.03	1998.12	4.25ltr, 100kW, 125kW	860321	24V / 4.0kW	upgrade M93R3066SE
O 1114	1984.01	1998.12	OM356.907, 366.933	861036	24V / 4.0kW	
O 1117	1984.01	1998.12	OM356.949, 357.919, 366.971	861036	24V / 4.0kW	
O 1120	1984.01	1998.12	OM356.993, 357.929, 366.993	861036	24V / 4.0kW	
O 301	1986.02	1986.03	OM366.965A 6,0	861036	24V / 4.0kW	was 858780
O 301	1986.02	1987.05	OM366.965A 6,0 125kw	861036	24V / 4.0kW	was 858780
O 301	1986.06	1987.05	OM366.917 6,0 100kw	861036	24V / 4.0kW	was 858780
O 301F	1986.06	1987.09	OM366.917, 965A 6,0ltr engine >050687	861036	24V / 4.0kW	was 858780
O 301F	1987.1	2001.02	OM366.917, 965A 6,0ltr engine 050688>	861036	24V / 4.0kW	was 858780
O 303	1975.07	1983.06	OM403.918 15,9 ltr	860506GB	24V / 6.6kW	
O 303	1977.03	1983.06	OM401.912 9,6 ltr	860508GB	24V / 5.4kW	
O 303	1977.03	1983.06	OM402.907 12.8ltr	860508GB	24V / 5.4kW	
O 303	1980.01	1989.04	OM421.908, 951A 11.0 ltr	860508GB	24V / 5.4kW	
O 303	1980.01	1987.09	OM422.908, 951A 12,8 ltr	860508GB	24V / 5.4kW	
O 303	1983.05	1987.09	OM421.908, 951A 11.0 ltr	860506GB	24V / 6.6kW	
O 303	1983.05	1987.09	OM422.908, 951A 14,6 ltr	860506GB	24V / 6.6kW	
O 303	1987.09	1992.09	OM441.908, 909, 911, 950, 953 A 11,0 ltr	860508GB	24V / 5.4kW	
O 303	1987.09	1992.09	OM442.910, 918, 919, 939, 960, 961A 15,0 ltr	860508GB	24V / 5.4kW	
O 305	1976.11	1987.05	OM407.913, 914, 915H, 916, 917, 918H 11,4 ltr	860506GB	24V / 6.6kW	
O 305G	1978.02	1987.05	OM407.913, 919, 951, 955AH 11.4ltr	860506GB	24V / 6.6kW	
O 307	1976.11	1987.07	OM407.915, 916, 918 11,0 ltr	860506GB	24V / 6.6kW	
O 307	1976.11	1987.07	OM407.955 11,0 ltr	860508GB	24V / 5.4kW	
O 309 D	1974.02	1984.05	OM314.948 3,8 ltr	861036	24V / 4.0kW	was 858780
O 309 D	1982.09	1989.02	OM616.937 2,4 ltr	20500534	12V / 2.2kW	
O 309D	1976.03	1982.08	OM616.910 2,4 ltr	20500534	12V / 2.2kW	
O 309D	1982.09	1989.02	OM353.966 5,7 ltr	861036	24V / 4.0kW	was 858780
O 309D	1984.06	1986.12	OM314.948 3,8 ltr	861036	24V / 4.0kW	was 858780
O 309D	1984.06	1989.02	OM314.959 3,8 ltr	861036	24V / 4.0kW	was 858780
O 345	2001.01		OM96.960 6,4 ltr	860321	24V / 4.0kW	upgrade M93R3066SE
O 345	2001.1		OM489.960 10,0 ltr	860508GB	24V / 5.4kW	
O 345 G	1995.1		489.961 10,0 ltr	860508GB	24V / 5.4kW	
O 345, O 345 K	1996.12		OM447.947/8/9, 960 12,0 ltr	860506GB	24V / 6.6kW	
O 370	1986.1		OM355/6 11,6 ltr	860667GB	24V / 6.6kW	Central & South America
O 370 R	1986.03	1987.06	OM355/5A 9,7 ltr	860667GB	24V / 6.6kW	Central & South America
O 370 RS, RSD	1984.08		OM355/6A /LA11,6 ltr	860667GB	24V / 6.6kW	Central & South America
O 402	1986.02	1991.12	OM366.965 6ltr	861036	24V / 4.0kW	
O 403, O403 SHD	2003.09		11.9ltr, 260kW, 310kW	M105R3031SE	24V / 7.5kW	



OUTPUT
V / KW

NOTES / NOTAS /
ANMERKUNG

MERCEDES-BENZ

O 404	1991.09	1999.1	OM401.970LA , 974LA 9,6 ltr	860508GB	24V / 5.4kW	
O 404	1991.09	1999.1	OM402.970LA, 974LA 12,8 ltr	860508GB	24V / 5.4kW	
O 404	1991.09	1999.1	OM441.921, 922, 980LA, OM445.934LA, 935LA 11,0 ltr	860508GB	24V / 5.4kW	
O 404	1991.09	1999.1	OM442.930, 931 ,OM446.934LA, 938LA 15,0 ltr	860508GB	24V / 5.4kW	
O 405	1985.01		OM427.910, 911H, 950hA, OM447.905h, 906, 907, 908h, OM447.913h , 950, 951hA, 956hA , 970hIA , 971 hIA , 972hIA , 973hIA , 974hIA , 981hLA 12,0 ltr	860506GB	24V / 6.6kW	
O 405 E	1984.1	1991.12	OM427.905h, OM447.905h 12,0 ltr	860506GB	24V / 6.6kW	
O 405 G	1985.11		OM427.911h, 950hA, OM447.907h, 950hA, 976 hIA, 977hIA, 980 12,0 ltr	860506GB	24V / 6.6kW	
O 405 GAS	1985.01	2001.02	476.927	860506GB	24V / 6.6kW	
O 405 GN	1991.09		OM447.959hA, 978HLA, 979HLA, 984hLA 12,0ltr	860506GB	24V / 6.6kW	
O 405 GN.G	1985.01	2001.02	476.926	860506GB	24V / 6.6kW	
O 405 GNDE	1991.09		OM447.999hIA 12,0ltr	860506GB	24V / 6.6kW	
O 405 GNTD	1991.09		OM447.998hIA 12,0ltr	860506GB	24V / 6.6kW	
O 405 GT	1991.09		OM447.968hIA 12,0ltr	860506GB	24V / 6.6kW	
O 405 GTD	1986.11	2001.02	OM447.955ha	860506GB	24V / 6.6kW	
O 405 N	1989.1		OM447.910h, 911hIA, 914h, 957hA, 986hLA, 996hIA 12,0ltr	860506GB	24V / 6.6kW	
O 405 N.G	1985.01	2001.02	476.925	860506GB	24V / 6.6kW	
O 405 N1	1991.09		OM447.975hIA 12,0ltr	860506GB	24V / 6.6kW	
O 407	1987.03	2001.02	OM447.906h, 908h, 985HIA, 990HIA, 991HIA 12,0ltr	860506GB	24V / 6.6kW	
O 408	1991.01	2001.12	OM447.912h, 958hA, 987hLA, 992, 993HLA 12,0ltr	860506GB	24V / 6.6kW	
O 500M	2001.05		OM906LA 6.4ltr 180kw	860321	24V / 4.0kW	upgrade M93R3066SE
O 500R	2001.05		OM926LA 7.2ltr 224kw	860321	24V / 4.0kW	upgrade M93R3066SE
O 500U	2001.05		OM906LA 6.4ltr 180kw	860321	24V / 4.0kW	upgrade M93R3066SE
O 814	1984.01	1998.12	OM354.921	861036	24V / 4.0kW	
OF 1113	1977.01	1992.12	OM352.997 5,7ltr	860653	24V / 5.4kW	KB version 24v
OF 1417	1998.1		OM904.920LA 4.2ltr 125kw	860321	24V / 4.0kW	upgrade M93R3066SE
OF 1417	2004.01		OM904LA 4.2ltr 130kw	860321	24V / 4.0kW	upgrade M93R3066SE
OF 1722	2004.01		OM924LA 4.8ltr 160kw	860321	24V / 4.0kW	upgrade M93R3066SE
OF 1730	2001.05		OM926LA 7.2ltr 220kw	860321	24V / 4.0kW	upgrade M93R3066SE
Sprinter 308 CDI	2000.04		OM611.987DE LA 2.2ltr	S1053B	12V / 2.0kW	
Sprinter 308 D	1995.02	2000.03	OM601.943 2.3ltr	S1053B	12V / 2.0kW	
Sprinter 310 D	1997.01	2000.03	OM602.980DE LA 2.9ltr	S1053B	12V / 2.0kW	
Sprinter 311 CDI	2000.04		OM611.981DE LA 2.2ltr	S1053B	12V / 2.0kW	
Sprinter 311 CDI	2001.06		OM611 2.1ltr	S1053B	12V / 2.0kW	only South America

BUS & COACH APPLICATION GUIDE 2019 STARTER MOTORS



OUTPUT
V / kW

NOTES / NOTAS /
ANMERKUNG

MERCEDES-BENZ

Sprinter 312 D	1995.02	2000.03	OM602.980DE LA 2.9ltr	S1053B	12V / 2.0kW	
Sprinter 313 CDI	2000.04		OM611.981DE LA	S1053B	12V / 2.0kW	
Sprinter 313 CDI	2001.06		OM611 2.1ltr	S1053B	12V / 2.0kW	only South America
Sprinter 408 CDI	2000.04		OM611.987DE LA 2.2ltr	S1053B	12V / 2.0kW	
Sprinter 408 D	1995.02	2000.03	OM601.943 2.3ltr	S1053B	12V / 2.0kW	
Sprinter 410 D	1997.01	2000.03	OM602.980DE LA 2.9ltr	S1053B	12V / 2.0kW	
Sprinter 411 CDI	2000.04		OM611.981DE LA 2.2ltr	S1053B	12V / 2.0kW	
Sprinter 412 D	1995.02	2000.03	OM602.980DE LA 2.9ltr	S1053B	12V / 2.0kW	
Sprinter 413 CDI	2000.04		OM611.981DE LA 2.2ltr	S1053B	12V / 2.0kW	
Sprinter 414	1995.02	2000.03	M111.979 2.3ltr	20500185	12V / 1.1kW	
Sprinter 414	2000.04		M111.984 2.3ltr	20500185	12V / 1.1kW	
Tourino O 510	2003.1		6.4ltr, 180kW, 205kW	860321	24V / 4.0kW	upgrade M93R3066SE
Tourismo O 350	1995.1		OM402.970LA 12,8ltr	860508GB	24V / 5.4kW	
Tourismo O 350	1995.1		OM441.980LA, OM445.934LA 11,0ltr	860508GB	24V / 5.4kW	
Tourismo O 350	1995.1		OM446.938LA 14,6ltr	860508GB	24V / 5.4kW	
Tourismo O 350 RHD, SHD	2003.09		11.9ltr, 260kW, 310kW	M105R3031SE	24V / 7.5kW	
Touro O 500	2001.1		11.9ltr, 260kW, 310kW	M105R3031SE	24V / 7.5kW	
Travego O 580 RHD.17	1999.1		11.9ltr, 15.9ltr	M105R3031SE	24V / 7.5kW	
Travego O 580 RHD.17	2001.02		OM502LA 15,9ltr	860615	24V / 6.2kW	
Travego O 580RH / RHD 15	1999.1		11.9ltr, 260kW, 300kW, 310kW	M105R3031SE	24V / 7.5kW	
Vario 512 D	1996.09		OM602.984LA 2,9 ltr	S1053B	12V / 2.0kW	
Vario 612 D	1996.09		OM602.984, 985LA 2,9 ltr	S1053B	12V / 2.0kW	
Vario 614 D	1996.09		OM904.908LA, .914 4,2 ltr	860321	24V / 4.0kW	upgrade M93R3066SE
Vario 615 D	1998.1		OM904.923LA, .936LA 4,2 ltr	860321	24V / 4.0kW	upgrade M93R3066SE
Vario 618 D	2003.06		OM904.964LA 4,2 ltr	860321	24V / 4.0kW	upgrade M93R3066SE
Vario 810 DT	1996.09		OM904.904LA 4,2 ltr	860321	24V / 4.0kW	upgrade M93R3066SE
Vario 812 D	1996.09		OM602.904, 985LA 2,9 ltr	S1053B	12V / 2.0kW	
Vario 814 D, DA	1996.09		OM904.908LA, .914LA, .923LA 4,2ltr	860321	24V / 4.0kW	
Vario 815 D, DA	1996.01		OM904.908, .923, LA, 936LA 4,2 ltr	860321	24V / 4.0kW	upgrade M93R3066SE
Vario 818 D	2003.06		OM904.964LA 4,2 ltr	860321	24V / 4.0kW	upgrade M93R3066SE
Vario O 810	1996.09		OM904.904LA 4,2 ltr	860321	24V / 4.0kW	upgrade M93R3066SE
Vario O 812	1996.09		OM602.984, 985LA 2,9 ltr	S1053B	12V / 2.0kW	
Vario O 814	1996.09		OM904.908LA 4,2 ltr	860321	24V / 4.0kW	
Vario O 815	1996.09		OM904.923LA 4,2 ltr	860321	24V / 4.0kW	upgrade M93R3066SE
			OM471	M90R3553SE	24V / 6.0kW	M9T66171
			OM407	M105R3131SE	24V / 7.5kW	A0071511801



OUTPUT
V / KW

NOTES / NOTAS /
ANMERKUNG

NEOPLAN

Cityliner	2013		MAN D2676 LOH30 Euro6	M90R3548SE	24V / 6.0kW	
Lion's Coach	2013		MAN D2676 LOH30 Euro6	M90R3548SE	24V / 6.0kW	
Tourline 2216 SHD	2003.11		D2866LOH34 12,0 ltr	860508GB	24V / 5.4kW	KB for heat shield
Tourline 2216 SHD	2003.11		D2866LOH34 12,0 ltr	860506GB	24V / 6.6kW	
Tourline 2216 SHD	2003.11		D2876LOH03 12,8 ltr	860508GB	24V / 5.4kW	KB for heat shield
Tourline 2216 SHD	2003.11		D2876LOH03 12,8 ltr	860506GB	24V / 6.6kW	
Tourline 2216/3 SHD.L	2003.11		D2866LOH34 12,0 ltr	860508GB	24V / 5.4kW	KB for heat shield
Tourline 2216/3 SHD.L	2003.11		D2866LOH34 12,0 ltr	860506GB	24V / 6.6kW	
Tourline 2216/3 SHD.L	2003.11		D2876LOH03 12,8 ltr	860508GB	24V / 5.4kW	KB for heat shield
Tourline 2216/3 SHD.L	2003.11		D2876LOH03 12,8 ltr	860506GB	24V / 6.6kW	

OPTARE

Bus			DAF SB220	860504GB	24V / 5.4kW	
Delta			DAF SB220	860674GB	24V / 5.4kW	
Metro Rider AC	1990	1996	Cummins 6BTA	MS4-401	24V / 5.5kW	was 856766
Solo	2002		Mercedes-Benz OM904LA Euro 3	860321	24V / 4.0kW	option M93R3066SE
Solo		2007	Cummins ISBe	860318	24V / 4.5kW	option M93R3002SE

ORLANDI

Domino 370 12.35	1986.02	1987.05	8210.22.406 13,8ltr	860545GB	24V / 6.6kW	
Domino GT370S 12.30 Turbo	1988.04		8210.22.406 13,8ltr	860545GB	24V / 6.6kW	
Domino HD	1989.01		8280.02.405 17,2ltr 259kw	860545GB	24V / 6.6kW	
Poker 370 S12.35	1978.01		8280.02.405 17,2ltr	860545GB	24V / 6.6kW	
Poker 370.12.35, S 12.30	1983.1		8210.22.406 13,8ltr	860545GB	24V / 6.6kW	

OTOMARSAN

O 302	1975.12	1989.12	OM360.916, 979, 980, 981 8,7ltr	861036	24V / 4.0kW	was 858780
O 302	1976.06	1979.04	OM353.906 engine 5,7ltr	860544GB	24V / 6.6kW	
O 302	1979.05	1989.12	OM353.906 5,7ltr	861036	24V / 4.0kW	was 858780

PAZ AUTOBUS (RUSSIA)

Autobus			Cummins 3.8l	M93R3026SE	24V / 5.0kW	4992135
---------	--	--	--------------	-------------------	-------------	---------

PEUGEOT

BOXER (Bus) 2.2 HDi 100	2006.04		2.198ltr (74kW / 101hp)	S1054B	12V / 2.0kW	860821
BOXER (Bus) 2.2 HDi 120	2006.04		2.198ltr (88kW / 120hp)	S1054B	12V / 2.0kW	860821

PLAXTON

240CS, LS	1988.06		8220.22.102, 4, 6, .708	860505GB	24V / 6.6kW	
240CSII, LSII	1988.06		8460.21.708	860505GB	24V / 6.6kW	
300LS, TS	1988.06		8210.22.406	860505GB	24V / 6.6kW	
Cheetah			Merc engine	860321	24V / 4.0kW	
Lorriane 240	1988.06		8460.21.708 9,5ltr	860516GB	24V / 5.4kW	
Lorriane 240, Regional	1988.06		8220.22.102, 4,6, .22.708 9,6ltr	860516GB	24V / 5.4kW	
Lorriane 300	1988.06		8210.22.406 13,8ltr	860545GB	24V / 6.6kW	
President	2001		D7TL 7ltr	860618	24V / 4.0kW	
Regional	1988.06		8220.22.702	860505GB	24V / 6.6kW	

BUS & COACH APPLICATION GUIDE 2019

STARTER MOTORS



OUTPUT
V / KW

NOTES / NOTAS /
ANMERKUNG

RÁBA						
Contact 092(/102/302)			Rába D10 UTLL-206 E-2	860504GB	24V / 5.4kW	11t Pinion
Contact 092(/102/302)			Rába D10 UTLL-206 E-2	860653GB	24V / 5.4kW	9t Pinion
Contact 092(/102/302)			Rába D10 UTLL-218 E-2	860504GB	24V / 5.4kW	11t Pinion
Contact 092(/102/302)			Rába D10 UTLL-218 E-2	860653GB	24V / 5.4kW	9t Pinion
Contact 092(/102/302)			Rába D10 UTLL-235 E-2	860504GB	24V / 5.4kW	11t Pinion
Contact 092(/102/302)			Rába D10 UTLL-235 E-2	860653GB	24V / 5.4kW	9t Pinion
Contact 092(/102/302)			Rába D10 UTSL-190 E-2	860504GB	24V / 5.4kW	11t Pinion
Contact 092(/102/302)			Rába D10 UTSL-190 E-2	860653GB	24V / 5.4kW	9t Pinion
Contact 292			Rába D10 UTLL-206 E-2	860504GB	24V / 5.4kW	11t Pinion
Contact 292			Rába D10 UTLL-206 E-2	860653GB	24V / 5.4kW	9t Pinion
Contact 292			Rába D10 UTLL-218 E-2	860504GB	24V / 5.4kW	11t Pinion
Contact 292			Rába D10 UTLL-218 E-2	860653GB	24V / 5.4kW	9t Pinion
Contact 292			Rába D10 UTLL-235 E-2	860504GB	24V / 5.4kW	11t Pinion
Contact 292			Rába D10 UTLL-235 E-2	860653GB	24V / 5.4kW	9t Pinion
Premier 091			MAN D0826 LOH 18	860508GB	24V / 5.4kW	
Premier 091			Rába D10 UTLL-206	860504GB	24V / 5.4kW	11t Pinion
Premier 091			Rába D10 UTLL-206	860653GB	24V / 5.4kW	9t Pinion
Premier 091			Rába D10 UTSL-160	860504GB	24V / 5.4kW	11t Pinion
Premier 091			Rába D10 UTSL-160	860653GB	24V / 5.4kW	9t Pinion
Premier 091			Rába D10 UTSL-190	860504GB	24V / 5.4kW	11t Pinion
Premier 091			Rába D10 UTSL-190	860653GB	24V / 5.4kW	9t Pinion
Premier 091			Rába UTLL-218	860504GB	24V / 5.4kW	
Premier 291			MAN D2866 LUH 20 E2	860508GB	24V / 5.4kW	
Premier 291			MAN D2866 LUH 20 E3	860508GB	24V / 5.4kW	
Premier 291			Rába D10 UTLL-206 E2	860504GB	24V / 5.4kW	11t Pinion
Premier 291			Rába D10 UTLL-206 E2	860653GB	24V / 5.4kW	9t Pinion
Premier 291			Rába D10 UTLL-218 E2	860504GB	24V / 5.4kW	11t Pinion
Premier 291			Rába D10 UTLL-218 E2	860653GB	24V / 5.4kW	9t Pinion
Premier 291			Rába D10 UTLL-225 E3	860504GB	24V / 5.4kW	11t Pinion
Premier 291			Rába D10 UTLL-225 E3	860653GB	24V / 5.4kW	9t Pinion
Premier 291			Rába D10 UTLL-235 E2	860504GB	24V / 5.4kW	11t Pinion
Premier 291			Rába D10 UTLL-235 E2	860653GB	24V / 5.4kW	9t Pinion
RENAULT						
Agora Citybus GNV	1995.06			>>>		see IRISBUS
Agora Line	1998.04			>>>		see IRISBUS
Arés	1998.05			>>>		see IRISBUS
FR 1	1984.01	1996		>>>		see IRISBUS
P, PR	1971	1999		>>>		see IRISBUS
R 212	1986	1990		>>>		see IRISBUS
R 312				>>>		see IRISBUS
R 330				>>>		see IRISBUS
R 332	1991	2001		>>>		see IRISBUS



OUTPUT
V / KW

NOTES / NOTAS /
ANMERKUNG

RENAULT

S 45 R, RX	1980.06	1994.12		>>>		see IRISBUS
S 50 R, RX	1980.06	1994.12		>>>		see IRISBUS
S 53 R, RX	1980.06	1994.12		>>>		see IRISBUS
Tracer	1991	2001		>>>		see IRISBUS

SCANIA

BK 112 CLB	1982.05	1999.11	DN11.06B, DS11.15B, DSC11.01B 11,0 ltr	860548GB	24V / 6.6kW	with IG
BK 112 CLB	1984.01	1999.11	DN11.06B, DS11.15B, DSC11.01B 11,0 ltr	860505GB	24V / 6.6kW	without IG
BN 113 ALB, 113 CLB	1990.05	1998.08	DN11.06C, DS11.34, .71, DSC11.04, .08C 11,0 ltr	857472GB	24V / 4.0kW	not oil sealed
BN 113 ALB, 113 CLB	1990.05	1998.08	DN11.06C, DS11.34, .71, DSC11.04, .08C 11,0 ltr	860505GB	24V / 6.6kW	KB version
BR 112	1978.09	1983.12	D11, DS11.01, 14, DS11.15 11,0 ltr	860548GB	24V / 6.6kW	
BR 112	1984.01	1991.12	D11, DS11.01, 14, DS11.15 11,0 ltr	860505GB	24V / 6.6kW	
BR 112	1984.01	1991.12	D11, DS11.01, 14, DS11.15 11,0 ltr	860548GB	24V / 6.6kW	
BR 145	1971.08	1979.05	D14 14,2 ltr	860515GB	24V / 6.6kW	
Citywide LE	2013		OC09-102 9L 340hp Natural gas / Biomethane	M90R3545SE	24V / 6.0kW	
CN 113, 113 A	1990.01	1998.08	DN11.34, 74, DSC11.04, 08 11,0 ltr	857472GB	24V / 4.0kW	not oil sealed
CN 113, 113 A	1990.01	1998.08	DN11.34, 74, DSC11.04, 08 11,0 ltr	860505GB	24V / 6.6kW	KB version
CR 112	1978.09	1983.12	D11, DS11.01, 14, DS11.15 11,0 ltr	860548GB	24V / 6.6kW	
CR 112	1984.01	1992.12	D11, DS11.01, 14, DS11.15 11,0 ltr	860505GB	24V / 6.6kW	
CR 112	1984.01	1992.12	D11, DS11.01, 14, DS11.15 11,0 ltr	860548GB	24V / 6.6kW	
F 112	1983.11	1995.01	DN11.07, DS11.15 11,0 ltr	860505GB	24V / 6.6kW	without IG
F 112	1983.11	1995.01	DN11.07, DS11.15 11,0 ltr	860548GB	24V / 6.6kW	with IG
F 113 HL/HR	1990.06	1998.08	DS11.34 11,0 ltr	857472GB	24V / 4.0kW	not oil sealed
F 113 HL/HR	1990.06	1998.08	DS11.34 11,0 ltr	860505GB	24V / 6.6kW	KB version
F 82 CL	1981.1	1995.01	DS8.05B 7,8 ltr	857472GB	24V / 4.0kW	not oil sealed
F 93 HL/HR	1990.06	1998.01	DN9.01, DS9.06 8,5 ltr	857472GB	24V / 4.0kW	not oil sealed
F 93 HL/HR	1990.06	1998.01	DN9.01, DS9.06 8,5 ltr	860505GB	24V / 6.6kW	KB version
K 112 CLB, 112 P	1982.04	1995.12	DN11.06B, DS11.15, 15B, DSC11.01, 01B 11,0 ltr	860548GB	24V / 6.6kW	with IG
K 112 CLB, 112 P	1984.01	1995.12	DN11.06B, DS11.15, 15B, DSC11.01, 01B 11,0 ltr	860505GB	24V / 6.6kW	without IG
K 113 CLA/CRA, CLB	1982.05	1998.08	DN11.06C, DS11.34,73B,74,75,78, DSC11.08,13B,1 6B,17,18,21,22,23,35,36,70,81 11,0 ltr	857472GB	24V / 4.0kW	not oil sealed

BUS & COACH APPLICATION GUIDE 2019

STARTER MOTORS



OUTPUT
V / KW

NOTES / NOTAS /
ANMERKUNG

SCANIA

K 113 CLA/CRA, CLB	1982.05	1998.08	DN11.06C, DS11.34,73B,74,75,78, DSC11.08,13B,1 6B,17,18,21,22,23,35,36,70,81 11,0 ltr	860505GB	24V / 6.6kW	KB version
K 113 TLA/TRA, TLB	1982.05	1998.08	DS11.34, 73, 75, DSC11.08B, 13B, 16B, 17, 18, 21, 22, 23, 35, 36, 70, 81 11,0 ltr	860505GB	24V / 6.6kW	KB version
K 113 TLA/TRA, TLB	1990.07	1998.08	DS11.34, 73, 75, DSC11.08B, 13B, 16B, 17, 18, 21, 22, 23, 35, 36, 70, 81 11,0 ltr	857472GB	24V / 4.0kW	not oil sealed
K 114 EB, 114 IB	1997.08		DC11.03, 04, 06 10,6 ltr	860305	24V / 6.7kW	JE wo/IG
K 114 EB, 114 IB	1997.08		DC11.07 11,6 ltr	860305	24V / 6.7kW	JE wo/IG
K 124 EB, EB HPI	1997.1		DC12.01, .03 11,7 ltr	860547GB	24V / 6.6kW	IG
K 124 EB, IB, IB HPI	1997.08		DC12.01, 02, 03, DSC12.02, 05 12,0 ltr	860305	24V / 6.7kW	JE wo/IG
K 124 EB, IB, IB HPI	1997.08		DC12.91, 02, 03, DSC12.02, 05 12,0 ltr	860547GB	24V / 6.6kW	IG
K 82 CL, 82 CR	1985.06	1995.12	DSI8.01B 7.8ltr	857472GB	24V / 4.0kW	not oil sealed
K 92 CL, 92 CR	1982.05	1994.12	DS9.03B01, 02 8,5 ltr	857472GB	24V / 4.0kW	not oil sealed
K 93 CL, 93 CLB, 93 CR, 93 CRB	1987.11	2001.12	DS9.05B01, 02, DSC9.08 8,5 ltr	860505GB	24V / 6.6kW	KB version
K 93 CL, CLB, CR, CRB	1987.11	2001.12	DS9.05B01, 02, DSC9.08 8,5 ltr	857472GB	24V / 4.0kW	not oil sealed
K 94 E, 94 IB	1997.09	2000.1	DSC9.15 9,0 ltr	857472GB	24V / 4.0kW	not oil sealed
K 94 E, IB	1997.09	2000.1	DSC9.15 9,0 ltr	860547GB	24V / 6.6kW	IG
L 113 CLB, CLL	1990.01	1998.08	DS11.34, 78, DSC11.08, 21,24, 27,71 11,0 ltr	857472GB	24V / 4.0kW	not oil sealed
L 113 CLB, CLL	1990.01	1998.08	DS11.34, 78, DSC11.08, 21,24, 27,71 11,0 ltr	860505GB	24V / 6.6kW	KB version
L 81	1975.05	1980.04	D8, DS 8 7,8 ltr	857472GB	24V / 4.0kW	not oil sealed
L 94 IB	1997.03		DC9.01, 02, 03, 04, 05, 06, DSC9.11, 12,13, 15 9,0 ltr	857472GB	24V / 4.0kW	not oil sealed
L 94 IB	1997.03		DC9.01,02,03,04,05,06, DSC 9.11,12,13,15 9,0 ltr	860547GB	24V / 6.6kW	IG
N 112 CLB	1990.01	2000.12	DN11.01C09, DN11.04C01 11,0 ltr	860505GB	24V / 6.6kW	without IG
N 112 CLB	1990.01	2000.12	DN11.01C09, DN11.04C01 11,0 ltr	860548GB	24V / 6.6kW	with IG
N 113 ALB, CLB, CLL/CRL, DRB	1991.04	1998.08	DN11.06C, DS11.34, 71, 73, 74, 74C, 77, 78, DSC11.04, 08, 21, 24, 27, 79, DSI11E01 11,0 ltr	857472GB	24V / 4.0kW	not oil sealed
N 113 ALB, CLB, CLL/CRL, DRB	1991.04	1998.08	DN11.06C, DS11.34, 71, 73, 74, 74C, 77, 78, DSC11.04, 08, 21, 24, 27, 79, DSI11E01 11,0 ltr	860505GB	24V / 6.6kW	KB version
N 94 UB	1997.09	2002.08	DSC9.11 9,0 ltr	857472GB	24V / 4.0kW	not oil sealed
N 94 UB	1997.09	2002.08	DSC9.11 9,0 ltr	860547GB	24V / 6.6kW	IG
OmniExpress 3.40	2013		9L 360hp Euro6	M90R3545SE	24V / 6.0kW	
S 112	1981.1	1983.12	DN11.01, 07, DS11.15 11,0 ltr	860548GB	24V / 6.6kW	with IG
S 112	1984.01	1988.05	DN11.01 11,0 ltr	860505GB	24V / 6.6kW	without IG



OUTPUT
V / KW

NOTES / NOTAS /
ANMERKUNG

SCANIA

S 112	1984.01	1988.05	DN11.01 11,0 ltr	860548GB	24V / 6.6kW	with IG
S 112	1984.01	1991.1	DN11.07, DS11.15 11,0 ltr	860505GB	24V / 6.6kW	without IG
S 82 CL, 82 HR	1981.1	1983.12	DS8.05 B 7,8 ltr	857472GB	24V / 4.0kW	not oil sealed
T 112/215, 280, 290, 305, 316, 345	1980.05	1983.12	DN11.01, DS11.01, 02, 14, 15, 18 11,0 ltr	860548GB	24V / 6.6kW	with IG
T 112/215, 280, 290, 305, 316, 345	1984.01	1988.05	DN11.01, DS11.01, 02, 14, 15, 18 11,0 ltr	860505GB	24V / 6.6kW	without IG
Touring HD	2013		13L 450hp Euro6	M90R3545SE	24V / 6.0kW	

SCHOOL BUS (USA)

Blue bird	2004	>>	CAT C7 engine	M105R2511SE	12V / 5.0kW	M105611
-----------	------	----	---------------	--------------------	-------------	---------

SETRA

500 series			OM470LA 10.7ltr	M105R3031SE	24V / 7.5kW	
------------	--	--	-----------------	--------------------	-------------	--

SHANGHAI DIESEL (CHINA BUS)

D6114				M105R3022SE	24V / 7.5kW	
D6114				M105R3027SE	24V / 7.5kW	

SOLARIS

Urbino 12	2012.01		Paccar MX-11 271kW (10.8ltr)	M90R3564SE	24V / 6.0kW	with plug
Urbino 12	2012.01		Paccar MX-11 210kW (10.8ltr)	M90R3564SE	24V / 6.0kW	with plug
Urbino 12	2012.01		Paccar MX-11 240kW (10.8ltr)	M90R3564SE	24V / 6.0kW	with plug
Urbino 12.9	2012.01		Paccar MX-11 210kW (10.8ltr)	M90R3564SE	24V / 6.0kW	with plug
Urbino 12.9	2012.01		Paccar MX-11 240kW (10.8ltr)	M90R3564SE	24V / 6.0kW	with plug
Urbino 12.9	2012.01		Paccar MX-11 271kW (10.8ltr)	M90R3564SE	24V / 6.0kW	with plug
Urbino 15	2012.01		Paccar MX-11 240kW (10.8ltr)	M90R3564SE	24V / 6.0kW	with plug
Urbino 15	2012.01		Paccar MX-11 271kW (10.8ltr)	M90R3564SE	24V / 6.0kW	with plug
Urbino 18	2012.01		Paccar MX-11 240kW (10.8ltr)	M90R3564SE	24V / 6.0kW	with plug
Urbino 18	2012.01		Paccar MX-11 271kW (10.8ltr)	M90R3564SE	24V / 6.0kW	with plug
Vacanza 12	2002.06	2006.12	12.6ltr (250kW / 340hp)	M90R3543SE	24V / 6.0kW	
Vacanza 12	2005.1		12.9ltr (300kW / 408hp)	M90R3544SE	24V / 6.0kW	with plug
Vacanza 13	2005.1		12.9ltr (300kW / 408hp)	M90R3544SE	24V / 6.0kW	with plug

STEYR-DAIMLER-PUCH

City Bus SC6F55	1976.1	1980.12	OM615.942 2,0ltr	20500534	12V / 2.2kW	
City Bus SC6F65	1981.01		OM616.918-003 2,4ltr	20500534	12V / 2.2kW	

TEMSA

Avenue	2010.09		DAF	M93R3091SE	24V / 5.0kW	
Avenue LF	2010.09		DAF	M93R3091SE	24V / 5.0kW	
LD13 InterCity (IC)	2013		Paccar DAF MX-11 Euro6	M90R3544SE	24V / 6.0kW	
LD13 Touring	2013		Paccar DAF MX-11 Euro6	M90R3544SE	24V / 6.0kW	
Safari HD	2013		Paccar DAF PR 360hp Euro 5	M90R3544SE	24V / 6.0kW	
Scolaire			MAN 228kw	860508GB	24V / 5.4kW	
Tourmalin	2006.10		DAF	M93R3091SE	24V / 5.0kW	
Tourmalin 12	2006.10		DAF	M93R3091SE	24V / 5.0kW	
Tourmalin 13	2006.10		DAF	M93R3091SE	24V / 5.0kW	

BUS & COACH APPLICATION GUIDE 2019 STARTER MOTORS



OUTPUT
V / KW

NOTES / NOTAS /
ANMERKUNG

VALDAY (RUSSIA)

Bus			Cummins ISF 3.8l	M100R2008SE	12V / 4.0kW	5263797
Bus			Cummins ISF 3.8l	M93R3042SE	24V / 5.0kW	5268413

VAN HOOL

TX Astro	2013		Paccar MX-13 Euro 6 (462hp)	M90R3544SE	24V / 6.0kW	
TX Astromega	2013		Paccar MX-340 U4 (340kW)	M90R3544SE	24V / 6.0kW	
TX11 Alicron	2013		Paccar (DAF) Euro6	M90R3544SE	24V / 6.0kW	
TX15 Acron	2013		Paccar (DAF) Euro6	M90R3544SE	24V / 6.0kW	
TX15 Acron	2015.10		Paccar MX-11 291kW (10.8ltr)	M90R3564SE	24V / 6.0kW	
TX11 Alicron	2015.01		Paccar MX-11 271kW (10.8ltr)	M90R3564SE	24V / 6.0kW	
TX15 Alicron	2013		Paccar MX-11 Euro6 (368hp)	M90R3544SE	24V / 6.0kW	
TX15 Alicron	2015.01		Paccar MX-11 291kW (10.8ltr)	M90R3564SE	24V / 6.0kW	
TX16 Alicron	2013		Paccar (DAF) Euro6	M90R3544SE	24V / 6.0kW	
TX16 Astron	2013		Paccar (DAF) Euro6	M90R3544SE	24V / 6.0kW	
TX17 Acron	2013		Paccar (DAF) Euro6	M90R3544SE	24V / 6.0kW	
TX21 Altano	2013		Paccar MX-13 Euro 6 (462hp)	M90R3544SE	24V / 6.0kW	
Various			Detroit Diesel DD13 EPA10	M105R3502SE	24V / 7.5kW	

VDL

Citea MLE-88/180	2013		Cummins ISBe Euro6	MS4-404	24V / 5.5kW	
Futura FHD2-139/320	2013		Paccar DAF MX-11 320 Euro6 (440hp)	M90R3544SE	24V / 6.0kW	
Futura FHD2-139/460	2013		Paccar DAF MX-13 340 Euro6	M90R3544SE	24V / 6.0kW	
Futura FMD2-129/271	2013		Paccar DAF MX-11 271 Euro6 (370hp)	M90R3544SE	24V / 6.0kW	
Futura FMD2-129/330	2013		Paccar DAF MX-11 240 Euro6	M90R3544SE	24V / 6.0kW	
Futura HD2-129/370	2013		Paccar DAF MX-11 271 Euro6	M90R3544SE	24V / 6.0kW	

VOLKSWAGEN

LT 2.5 SDI 28,35,46	1996.05	2001	AGX	20513055	24V / 4.5kW	
LT 2.5 TDI 28,35,46	1996.05	2006	AHD, APA, BBE, BBF 61-80kw	20513047A	12V / 2.0kW	w/2 * M12-1.75 tap in DE

VOLVO

7700				860618	24V / 4.0kW	
8700	1999.01		12.1ltr (250kW, 280kW)	M90R3557SE	24V / 6.0kW	1 terminal relay
9700	2001.04		12.1ltr (250kW, 280kW, 309kW)	M90R3557SE	24V / 6.0kW	1 terminal relay
9700	2001.04		12.1ltr (250kW, 280kW, 309kW)	M90R3547SE	24V / 6.0kW	2 terminal relay
9700	2013		11L Euro6	M90R3538SE	24V / 6.0kW	
9900	2001.1		12.1ltr (309kW / 420hp)	M90R3557SE	24V / 6.0kW	1 terminal relay
9900	2013		11L Euro6	M90R3538SE	24V / 6.0kW	
Unknown	2015			M90R3570SE	24V / 6.0kW	
B 10 B, BLE	1992.01	1996.01	DH10A, THD101GC, GD, 102KB, KD, KF, 103KB, D, KF, 104KB, KF 9.6 ltr	860504GB	24V / 5.4kW	
B 10 L, M	1986.06		THD101G., K., 102 K., 103K., 104K. 9.6 ltr	860504GB	24V / 5.4kW	
B 10 L, M	1994.05		DH10A..., GH10 A., B., C., 9.6 ltr	860504GB	24V / 5.4kW	



OUTPUT
V / KW

NOTES / NOTAS /
ANMERKUNG

VOLVO

B 10 M	1980.1	1986.1	THD100EB, EC, ED, EE, EK 9,6 ltr	860504GB	24V / 5.4kW	
B 10 M, R	1978.06	1986.1	THD100 D, DA, DB, DC, DD, EA 9,6 ltr	860504GB	24V / 5.4kW	
B 10 R	1983.11	1983.12	THD100EB, EC 9.6ltr	860504GB	24V / 5.4kW	
B 10 R	1986.06	1996.01	THD100EB, EC 9,6 ltr	860504GB	24V / 5.4kW	
B 12	1991.09	1995.1	TD122 FH, FL, TD123 E, ES 12,0 ltr	860500GB	24V / 5.4kW	Vin >>4999
B 12	1995.1		D12A340, A370, A380, A415, A420 12,0 ltr	860511GB	24V / 6.6kW	Vin 5000>>
B 12, B 12 B	2006.02		12.1ltr (250kW, 280kW, 309kW, 338kW)	M90R3547SE	24V / 6.0kW	
B 57	1978.09	1983.12	TD70 H 6,7 ltr	861038	24V / 4.0kW	Replaces 858317
B 57T	1965.1	1974.11	TD70A, B 6.7ltr	860657GB	24V / 5.4kW	
B 58, T	1972.01	1980.03	HD100D, THD100D 9,6 ltr	860504GB	24V / 5.4kW	
B 59 T	1972.1	1979.01	THD 100 D 9,6 ltr	860504GB	24V / 5.4kW	
B 6 F	1978.11	1984.07	TD60 A 5,5 ltr	861038	24V / 4.0kW	Replaces 858317
B 6 F, FA	1979.11	1987.12	TD60 B 5,5 ltr	861038	24V / 4.0kW	Replaces 858317
B 7				M90R3556SE	24V / 6.0kW	1 terminal relay
B 7 F	1999.01		D7A230, A285, B230, B260 6.7ltr	860512GB	24V / 5.4kW	vin >>40374 (KB vers)
B 7 F	1999.01		D7A230, A285, B230, B260 6.7ltr	860618	24V / 4.0kW	vin 40375>> (EV vers)
B 7 F, FA	1983.1	1987.12	TD70 H 6,7 ltr	861038	24V / 4.0kW	Replaces 858317
B 7 L	1999.05		D7C 7,0 ltr	860512GB	24V / 5.4kW	vin >>429 (KB version)
B 7 L	1999.05		D7C 7,0 ltr	860618	24V / 4.0kW	vin 430>> (EV version)
B 7 R	1997.6		D7A,B,C 7,0 ltr	860512GB	24V / 5.4kW	Only South America. >>2033
B 7 R	2001		D7A,B,C 7,0 ltr	860618	24V / 4.0kW	Only South America. 2034>>
B 9				M90R3556SE	24V / 6.0kW	1 terminal relay
B12	2006.02		12.1ltr (250kW, 280kW, 309kW, 338kW)	M90R3557SE	24V / 6.0kW	1 terminal relay
BB 57	1978.09	1996.01	TD70H, HA	861038	24V / 4.0kW	Replaces 858317
BB 57	1991	1996.01	TD70H, HA	20540103	24V / 4.5kW	Denso GR vers.
BB 57, T	1970.1	1974.11	TD70B 6.7ltr	860657GB	24V / 5.4kW	
BB 57, T	1974.12	1985.12	TD70B, E 6.7ltr	861038	24V / 4.0kW	Replaces 858317
C 10 M	1984.1	1987.12	THD 101 GD, KC 9,6 ltr	860504GB	24V / 5.4kW	
LM 9				M90R3556SE	24V / 6.0kW	1 terminal relay
Olympian	1982	1993	TD102 9,6ltr	860518GB	24V / 5.4kW	
Olympian	1988		Cummins L10	MS1-411A	24V / 8.3kW	
Olympian				860504GB	24V / 5.4kW	
Olympian (3 axle)			Cummins L10	MS1-411A	24V / 8.3kW	
Olympian (3 axle)			D10A 10,0ltr	860518GB	24V / 5.4kW	
Olympian (3 axle)			TD102 9,6ltr	860518GB	24V / 5.4kW	
Super Olympia (6x2)	2004		D10A 10,0ltr	860518GB	24V / 5.4kW	for Hong Kong
	2015			M90R3570SE	24V / 6.0kW	

BUS & COACH APPLICATION GUIDE 2019 STARTER MOTORS



OUTPUT
V / kW

NOTES / NOTAS /
ANMERKUNG

WEIFENG (CHINA BUS)

WD615 / WD618				M105R3002SE	24V / 7.5kW	
WD615 / WD618				M105R3020SE	24V / 7.5kW	
WP10 (Euro3)				M105R3021SE	24V / 7.5kW	

WRIGHT BUS

New Routemaster	2014		Cummins ISBe	M93R3014SE	24V / 5.0kW	
StreetLite	2010		Cummins ISBe Euro5	MS4-404	24V / 5.5kW	
StreetLite (Hybrid)	2010		Cummins ISBe	M93R3014SE	24V / 5.0kW	

WUXI (CHINA BUS)

6DM				M105R3003SE	24V / 7.5kW	
-----	--	--	--	--------------------	-------------	--

YULIN DIESEL (CHINA BUS)

YC6A240-10				M105R3015SE	24V / 7.5kW	
YC6A240-10				M105R3024SE	24V / 7.5kW	
YC6M				M105R3007SE	24V / 7.5kW	
YC6M				M105R3011SE	24V / 7.5kW	
YC6M				M105R3023SE	24V / 7.5kW	

YUTONG (CHINA BUS)

EC12			Paccar (DAF) Euro6	M90R3544SE	24V / 6.0kW	
IC9			Cummins ISBe Euro6	M96R3019SE	24V / 5.0kW	
ZK6100HB			Cummins C	MS3-504	24V / 7.5kW	
ZK6119HA			Cummins C	MS3-504	24V / 7.5kW	

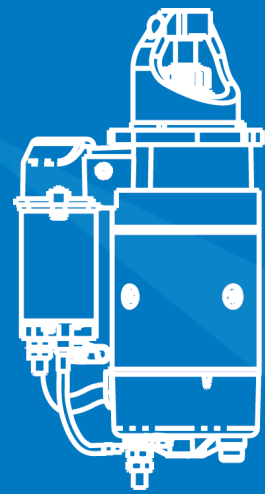
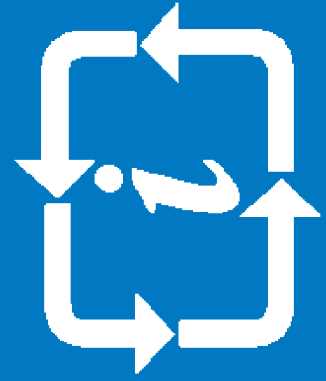
ZHONGTONG (CHINA BUS)

LCK6112G			Yuchai YC6G300-20	M90R3510SE	24V / 6.0kW	
LCK6115H			Yuchai YC6G300-20	M90R3510SE	24V / 6.0kW	



OUTPUT
V / KW

NOTES / NOTAS /
ANMERKUNG









BUS & COACH BUYER'S GUIDE 2019

STARTER MOTORS



Starter Motor Buyer's Guide

857472GB	24V	4.0kW	ER / G	CW	DD	9	34.5	48	66	SCANIA - 82, 112, 93, 113, 94 Series
860305	24V	6.7kW	ER / G	CW	GR	11	41.05	48	71.9	SCANIA - 114, 124 Series
860318	24V	4.0kW	ER / G	CW	GR	10	32	46	63	CENTRO - Various models DAF - SB120 OPTARE - Solo Alternative options: M93R3002SE MS4-401
860321	24V	4.0kW	ER / G	CW	DD	9	35.8	48.5	66.2	MERCEDES-BENZ - Citaro, Cito, Co-necto, O345, O500, OF1417, OF1722, OF1730, Tourino, Vario OPTARE - Solo Alternative option: M93R3066SE (upgrade 5.0kW) 100% Compatible
860500GB	24V	5.4kW	ER / G	CW	DD	11	40.8	47.5	69.2	VOLVO - B 12
860504GB	24V	5.4kW	ER / G	CW	DD	11	40.8	47.5	69.2	DAF - SB220, SBG220 OPTARE - Bus VOLVO - B10B, B10BLE, B10L, B10M, B10R, B58T, C10M, Olympian

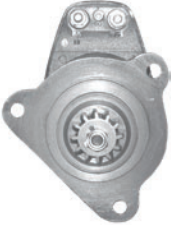

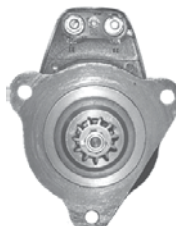
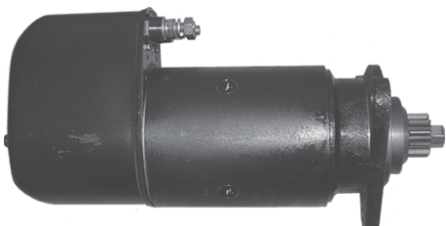




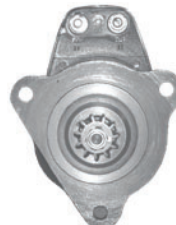

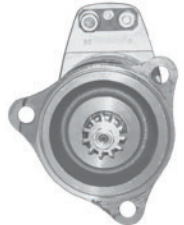

860505GB	24V	6.6kW	ER / G	CW	DD	11	40.8	37	58.8	PLAXTON - 240, 300, Regional ROUTEMASTER SCANIA - 112, 93, 113 Series
										
860506GB	24V	6.6kW	ER / G	CW	DD	9	35.1	47.5	69.2	DRÖGMÖLLER - E420, E430 , E440 IKARUS - 260.71A KÄSSBOHRER - Setra S Series MAN - 18, 24 Series, Lion's Star, Lion's Top Star, Various MERCEDES-BENZ - Citaro, Integro, Various NEOPLAN - Tourline
										
860507GB	24V	6.6kW	ER / G	CW	DD	12	45	40.2	62	IRISBUS - Agora, Arés, FR1, Iliade, PR, R, Tracer
										
860508GB	24V	5.4kW	ER / G	CW	DD	9	35.1	47.5	69.2	DRÖGMÖLLER - E Series KÄSSBOHRER - Setra S Series MAN - 12, 14, 16, 18, 22, 24 Series, 464 Lion's Star, Lion's Top Star, Various MERCEDES-BENZ - Intouro, Turismo, Various NEOPLAN - Tourline
										
860509GB	24V	5.4kW	ER / G	CW	DD	11	40.8	47.5	69.2	DAF - SB3000
										
860511GB	24V	6.6kW	IR	CW	DD	12	45	47.5	69.2	VOLVO - B 12
										





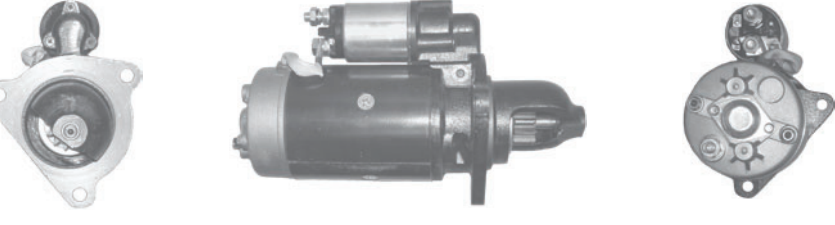

BUS & COACH BUYER'S GUIDE 2019

STARTER MOTORS



Starter Motor Buyer's Guide

860512GB	24V	5.4kW	ER / G	CW	DD	12	46.7	47.5	69.2	VOLVO - B7F, B7L, B7R
 										
860515GB	24V	6.6kW	ER / G	CW	DD	11	40.8	47.5	69.2	SCANIA - BR 145
 										
860516GB	24V	5.4kW	ER / G	CW	DD	11	40.8	47.5	69.2	IRISBUS - 480, 580, 680 PLAXTON - Lorraine 240, Regional
 										
860518GB	24V	5.4kW	IR	CW	DD	11	40.8	47.5	69.2	VOLVO - Olympian, Super Olympian
 										
860544GB	24V	6.6kW	IR	CW	DD	11	40.8	47.5	69.2	OTOMARSAN - O 302
 										
860545GB	24V	6.6kW	ER / G	CW	DD	11	40.8	21	42.8	PLAXTON - Lorraine 300 ORLANDI - Domino 370, HD, Poker 370
 										

860546GB	24V	5.4kW	ER / G	CW	DD	11	42	47.5	69.2	DAB - 12 Series
										
860547GB	24V	6.6kW	IR	CW	DD	9	35.1	47.5	69.2	SCANIA - 94, 124 Series
										
860548GB	24V	6.6kW	IR	CW	DD	11	40.8	37	58.8	SCANIA - 112 Series
										
860615	24V	6.2kW	ER / G	CW	DD	11	41	47.6	68.3	MERCEDES-BENZ - Travego
 <p>Replacing 860705</p>										
860618	24V	4.0kW	IR	CW	DD	12	46.5	48	65	PLAXTON - President VOLVO - B7F, B7L, B7R
										
860653	24V	5.4kW	ER / G	CW	DD	9	35.1	47.5	69.2	IKARUS - 190, 250, 260 MERCEDES-BENZ - OF1113
										







BUS & COACH BUYER'S GUIDE 2019

STARTER MOTORS



Starter Motor Buyer's Guide

860657GB	24V	5.4kW	ER / G	CW	DD	9	35.1	47.5	69.2	VOLVO - B57T, BB57, BB57T
860658	24V	5.4kW	IR	CW	DD	11	42	47.5	69.2	DAF - SB201
860660GB	24V	5.4kW	ER / G	CW	DD	9	35.1	47.5	69.2	IKARUS - 250K IRISBUS - S45, S50, S53, S105
860667GB	24V	6.6kW	ER / G	CW	DD	9	35.1	37	58.8	MERCEDES-BENZ - O 370
860674GB	24V	5.5kW	ER / G	CW	DD	11	42	47.5	69.2	DAF - SB2000 OPTARE - Delta
860716	24V	4.0kW	ER / G	CW	GR	10	40	48	66	BMC - Various IVECO - Cummins engine
<p>Alternative option: M93R3059SE (upgrade 5.0kW) 100% Compatible</p>										




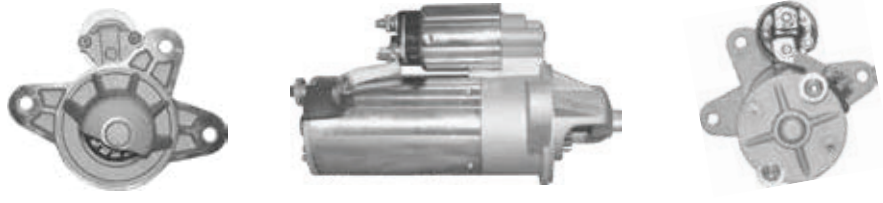
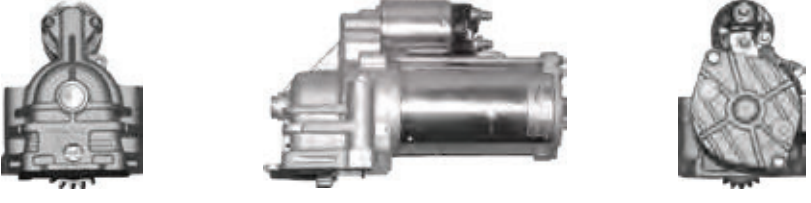

860813	24V	4.0kW	ER / G	CW	GR	11	40.8	29	43	MAN - Alternative option: M85R3003SE (upgrade 5.0kW)
										
860817	24V	4.0kW	ER / G	CW	GR	9	35.1	29	43	IVECO -
										
860818	24V	4.0W	ER / G	CW	GR	11	40.8	29	43	MAN - 8, 10, 12, 14 Series, EL, EM, NG, NL, NM, NU, SL, SU Series Replacing 860107Z
										
861036	24V	4.0W	ER / G	CW	GR	9	34.5	49	63	MERCEDES-BENZ - O301, O302, O309, 711 Series Replacing 858780
										
861037	24V	4.0W	ER / G	CW	GR	10	37.7	29	43	MAN - 8, 10, 12, 14, EM, NM, SL, SM, SU Series Replacing 858318
										
861038	24V	4.0W	ER / G	CW	GR	9	34.5	29	43	VOLVO - B6F, B6FA, B7F, B7FA, B57, BB57, BB57T Replacing 858317
										

BUS & COACH BUYER'S GUIDE 2019

STARTER MOTORS



861039	24V	4.0W	ER / G	CW	GR	10	39.9	22	36	IRISBUS - R 212
										Replacing 860103 See upgrade option M93R3104SE
1327A411	24V	7.8kW	ER / G	CW	DD	10	39.3	47.6	67.1	DENNIS - Dominant, Lancet
S115A-24-1										
1327A581	24V	7.8kW	ER / G	CW	DD	12	40.8	47.6	69.2	DENNIS - Arrow, Javelin, Lance
S115A-24-19										
20500106	12V	2.8kW	ER / G	CW	DD	10	40	25	41.55	DENNIS - Dominant
20500137	12V	2.8kW	ER / G	CW	DD	10	39.5	28	43	DENNIS - Dominant
20500185	12V	1.1kW	ER / G	CW	GR	9	25.1	26	38	MERCEDES-BENZ - Sprinter 414

20500534	12V	2.2kW	ER / G	CW	DD	9	25.5	21	36	MERCEDES-BENZ - O 309D STEYR-DAIMLER-PUCH - City Bus SC6F55
										
20500673	12V	2.8kW	ER / G	CW	DD	13	46	21	36	FORD - Transit 2.5 Di, 2.5TDi
										
20500968	12V	2.8kW	ER / G	CW	DD	10	39.6	29.3	45.8	DENNIS - Dominant <i>Alternative option: M100R2016SE (upgrade 5.0kW)</i>
										
20500976T	12V	2.2kW	ER / G	CW	GR	13		20	29.7	FORD - Transit 2.5 Di, 2.5TDi LDV - Convoy 2.5Di, DiT
										
20510202A	12V	1.8kW	ER / G	CW	GR	19	51	-	-	FORD - Transit 2.0 TD, TDE <i>Check dual mass flywheel</i>
										
20513043	12V	2.3kW	ER / G	CW	GR	9	26	36	52	IRISBUS - Civis Bimode, Cristalis Bimode IRISBUS - Daily
										

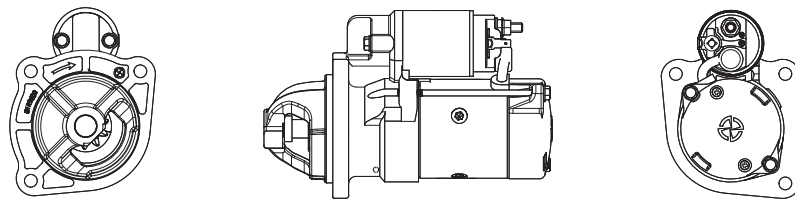
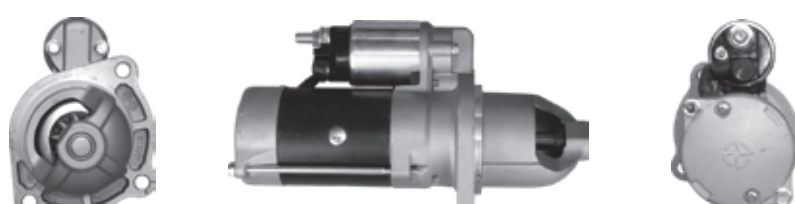
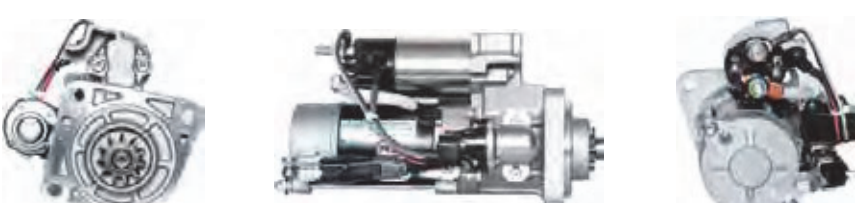
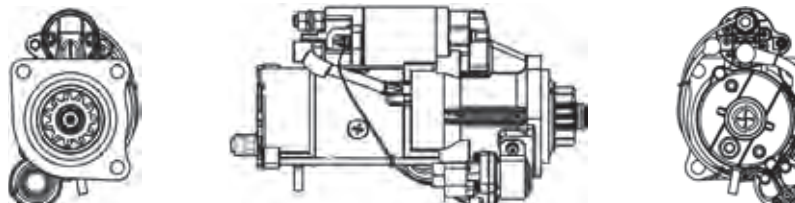
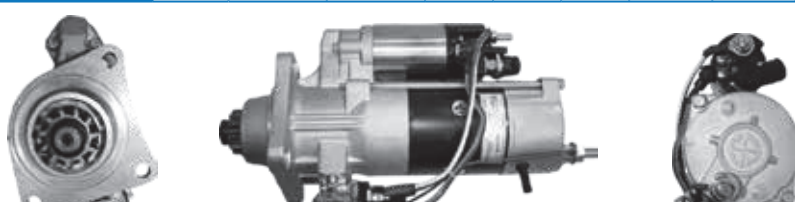

BUS & COACH BUYER'S GUIDE 2019

STARTER MOTORS



Starter Motor Buyer's Guide





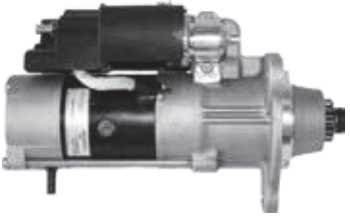


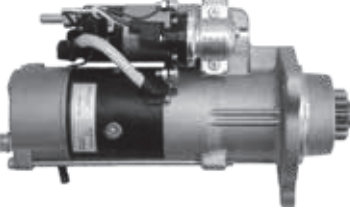


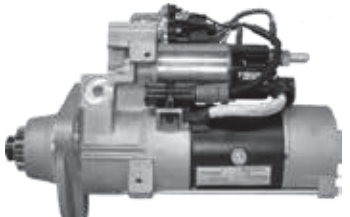


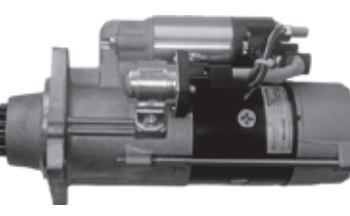


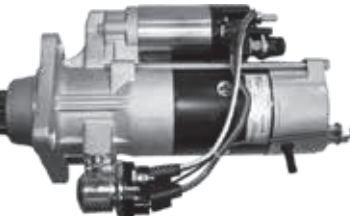

20513047A	12V	2.0kW	ER / G	CW	GR	9	25.5	21	36	VOLKSWAGEN - LT 2.5 TDI 28,35,46
20513055	12V	2.0kW	ER / G	CW	GR	9		21	36	VOLKSWAGEN - LT 2.5 SDI 28,35,46
20540101	24V	5.5kW	ER / G	CW	GR	10	40.3	48.9	67.9	IRISBUS - Arway, Domino, Evadys
20540102	24V	4.5kW	ER / G	CW	GR	9	34.8	27	42.7	IRISBUS - Agora Line, Arés, Arway, Axer, Citelis, Civis, Cristalis, Crossway, Récréo Scolaire Récréo
20540103	24V	4.5kW	ER / G	CW	GR	10	32	47.5	64	VOLVO - BB57
M81R2501	12V	3.5kW	ER / G	CW	GR	10	40	47.5	64	GAZ - GAZel Cummins - BFCEC-ISF 3.8

M81R2502	12V	3.5kW	ER /G	CW	GR	10	40	20	33.5	GAZ - GAZel Cummins - ISF 2.8
										
M81R3001	24V	4.5kW	ER /G	CW	GR	10	40	47.5	64	GAZ - GAZel Cummins - ISF 3.8
										
M85R3003SE	24V	5.0kW	ER /G	CW	GR	12	44.1	27.5	44.5	MAN - HOCL, LC, Lion's City, NM, SU
										
M90R3510SE	24V	6.0kW	ER /G	CW	GR	11	55.3	33	52	YUCHAI - LCK6112G, LCK6115H
										
M90R3538SE	24V	6.0kW	ER /G	CW	GR	11	43.5	47.5	66.5	VOLVO - B7, B9, LM9
										
M90R3543SE	24V	6.0kW	ER /G	CW	GR	11	41.1	48	67	VDL (DAF) - IRIZAR - i4, i6, p6 TEMSA - LD13, Safari HD VAN HOOL - TX series VDL - Futura series 11t pinion (without offset) replaces Bosch 12t pinion (with offset) 100% Compatible
										



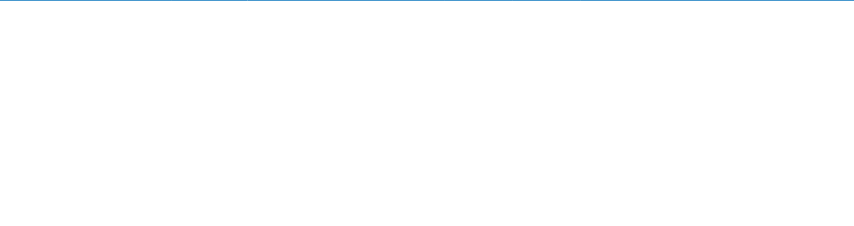



BUS & COACH BUYER'S GUIDE 2019

STARTER MOTORS



M90R3544SE	24V	6.0kW	ER /G	CW	GR	11	41.1	48	67	VDL (DAF) - IRIZAR - i4, i6, p6 TEMSA - LD13, Safari HD VAN HOOL - TX series VDL - Futura series 11t pinion (without offset) replaces Bosch 12t pinion (with offset) 100% Compatible
										
M90R3545SE	24V	6.0kW	ER /G	CW	GR	11	41.1	48	67	SCANIA - Citywide LE, OmniExpress, Touring HD 11t pinion (without offset) replaces Bosch 12t pinion (with offset) 100% Compatible
										
M90R3547SE	24V	6.0kW	ER /G	CW	GR	12	46.7	47.5	66.5	VOLVO - B12, B12B (D12 / D13 eng), 9700, 9900
										
M90R3548SE	24V	6.0kW	ER /G	CW	GR	12	44	48	67	NEOPLAN - Cityliner, Lion's Coach
										
M90R3553SE	24V	6.0kW	ER /G	CW	GR	13	46.7	47.5	66.5	MERCEDES-BENZ
										
M90R3556SE	24V	6.0kW	ER /G	CW	GR	11	43.5	47.5	66.5	VOLVO - B7, B9, LM9 Was 860822
										

Starter Motor Buyer's Guide

M90R3557SE	24V	6.0kW	ER / G	CW	GR	12	46.7	47.5	66.5	VOLVO - B12, B12B (D12 / D13 eng), 9700, 9900
										
M90R3564SE	24V	6.0kW	ER / G	CW	GR	12	44.1	48	67	SOLARIS - Urbino VAN HOOL - Acron, Alicron
										
M90R3570SE	24V	6.0kW	ER / G	CW	GR	12	46.9	48	67	VOLVO -
										
M93R3001SE	24V	5.0kW	ER / G	CW	GR	12	37.2	47.5	64	HIGER - S7-S8
										
M93R3002SE	24V	5.0kW	ER / G	CW	GR	12	37.2	47.5	64	CUMMINS - Various - Engine KAVZ - Bus OPTARE - Solo (Cummins engine)
										
M93R3003SE	24V	5.0kW	ER / G	CW	GR	12	37.2	47.5	64	CUMMINS - Various engine
										

BUS & COACH BUYER'S GUIDE 2019

STARTER MOTORS

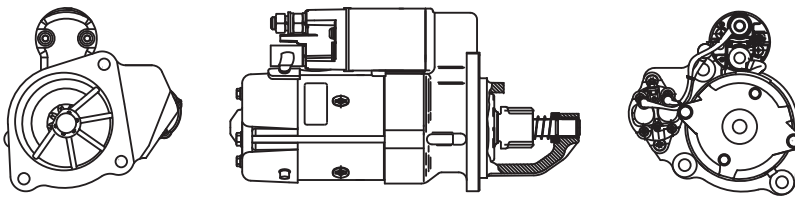


M93R3004SE 24V 5.0kW ER / G CW GR 10 38.1 28 44.5



DEUTZ - Various engine

M93R3011SE 24V 5.0kW ER / G CW GR 12 37.2 47.5 64



CHINESE BUS - Various models

M93R3013SE 24V 5.0kW ER / G CW GR 12 37.2 47.5 64



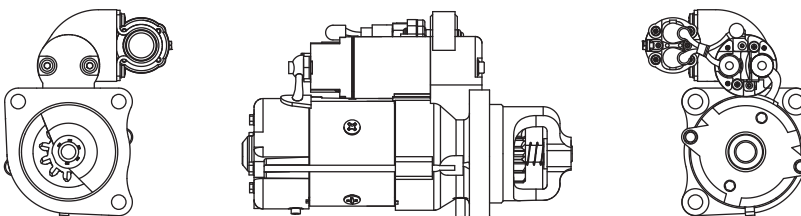
CHINESE BUS - Various models
KING LONG - XMQ6900Y

M93R3014SE 24V 5.0kW ER / G CW GR 10 39.7 47.5 64



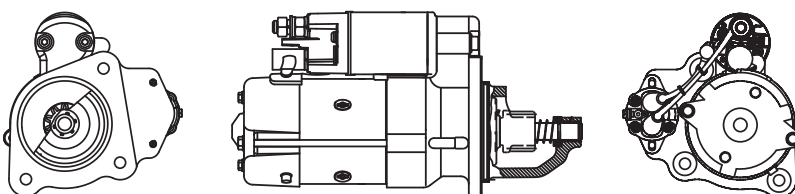
CUMMINS - Various engine
HIGER - KLQ6109Q, KLQ6856E3, KLQ6896E3, KLQ6896QE3
KING LONG - XMQ6900

M93R3016SE 24V 5.0kW ER / G CW GR 11 52.8 32 48



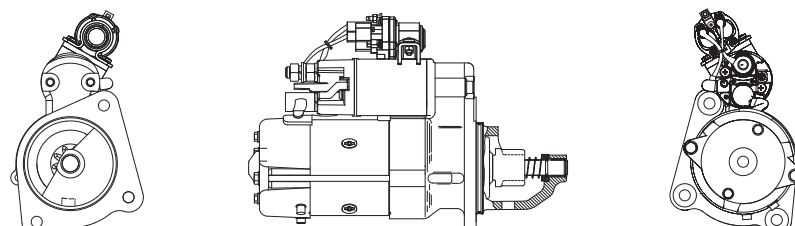


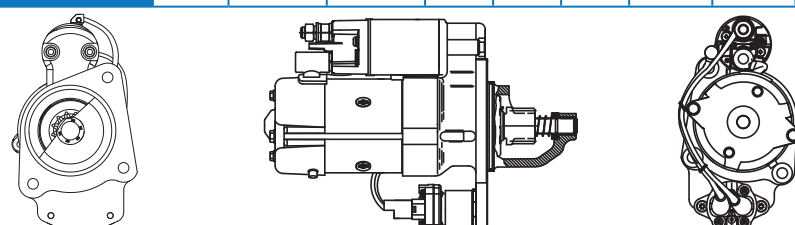


HIGER - S7-S8

M93R3026SE 24V 5.0kW ER / G CW GR 10 39.7 47.5 64



CUMMINS - Various engine


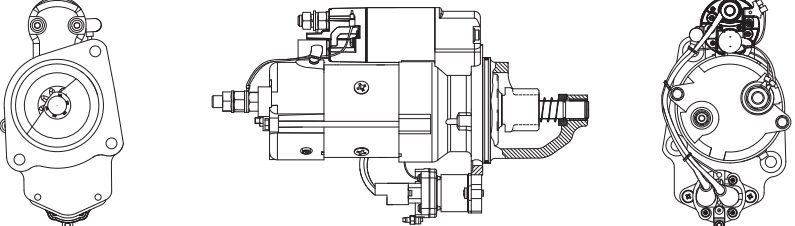
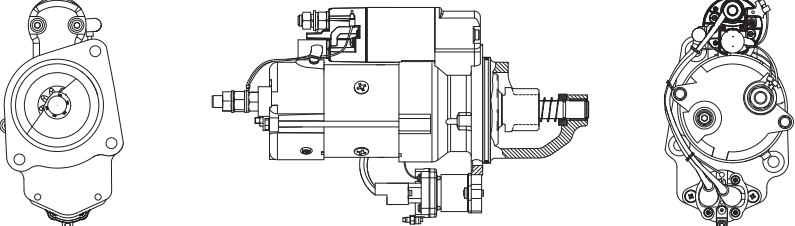

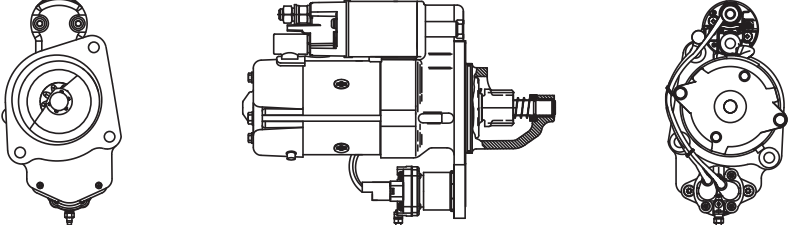
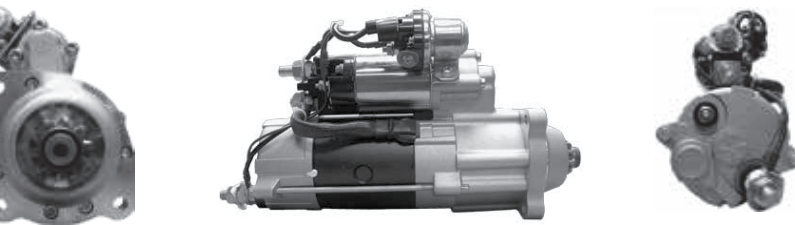
Starter Motor
Buyer's Guide

M93R3042SE	24V	5.0kW	ER / G	CW	GR	10	39.7	47.5	64	VALDAY - Bus CUMMINS - ISF 3.8 litre
										
M93R3059SE	24V	5.0kW	ER / G	CW	GR	10	39.7	47.5	64	BMC - Various (Cummins engine) CUMMINS - ISBe engine IVECO - Cummins engine Upgrade 5.0kW version 100% Compatible
										
M93R3066SE	24V	5.0kW	ER / G	CW	GR	10	38.1	47.5	64	MERCEDES-BENZ - Citaro, Cito, Conecto, O345, O500, OF1417, OF1722, OF1730, Tourino, Vario OPTARE - Solo 10t pinion with off-set replaces Bosch 9t and Delco 11t versions Rotatable control relay 100% Compatible
										
M93R3089SE-A	24V	5.0kW	ER / G	CW	GR	10	39.7	47.5	64	DENNIS - Dart, Enviro 200 Dart, Enviro 300, Enviro 400
										
M93R3091SE	24V	5.0kW	ER / G	CW	GR	11	41.0	47	64	TEMSA - Avenue, Avenue LF, Tourmalin, Tourmalin 12, Tourmalin 13 Upgrade 5.0kW version 100% Compatible
										
M93R3104SE	24V	5.0kW	ER / G	CW	GR	10	40.0	22	32	IRISBUS - R212 Upgrade 5.0kW version 100% Compatible
										

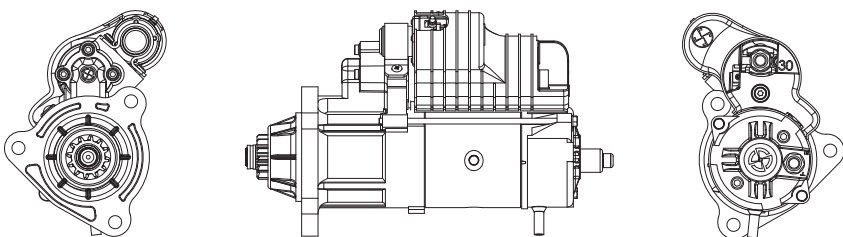
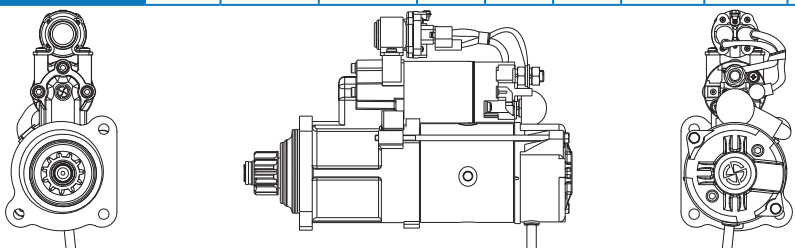
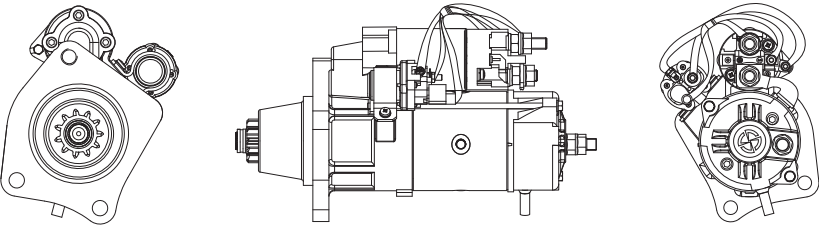

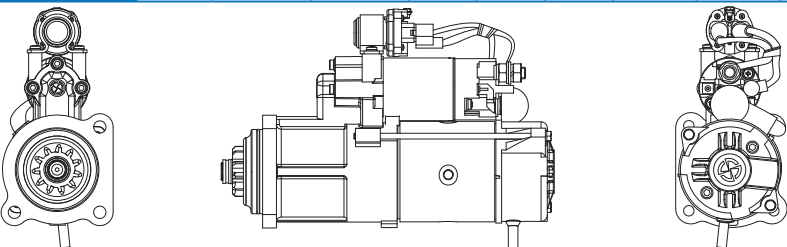
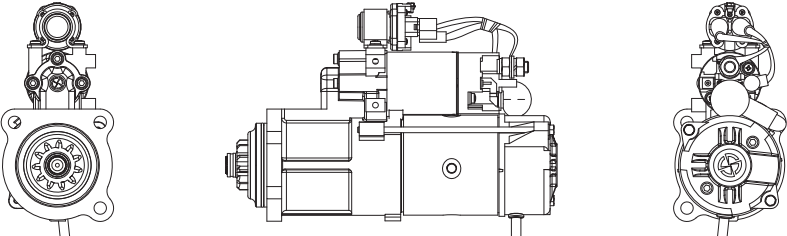
BUS & COACH BUYER'S GUIDE 2019

STARTER MOTORS



M96R3019SE-A	24V	5.0kW	ER / G	CW	GR	10	39.7	47.5	64	DENNIS - Dart, Enviro 200 Dart, Enviro 300, Enviro 400 Replacing 35262410
										
M97R3013SE	24V	5.0kW	IR	CW	GR	12	37.2	47.5	64	CUMMINS - Various engine HIGER - Bus KING LONG - Bus Insulated return version of M93R3013SE
										
M97R3014SE	24V	5.0kW	IR	CW	GR	10	39.7	47.5	64	CUMMINS - Various engine HIGER - Bus KING LONG - Bus Insulated return version of M93R3014SE
										
M100R2008SE	12V	4.0kW	ER / G	CW	GR	10	39.7	47.5	64	VALDAY - Bus CUMMINS - ISF 3.8 litre
										
M100R3002SE	24V	5.0kW	ER / G	CW	GR	12	37.2	50.8	64	CHINESE BUS - Various models
										
M105R2511SE	12V	5.0kW	IR	CW	GR	10	39.9	47.5	66.5	SCHOOL BUS - Blue bird
										

Starter Motor Buyer's Guide

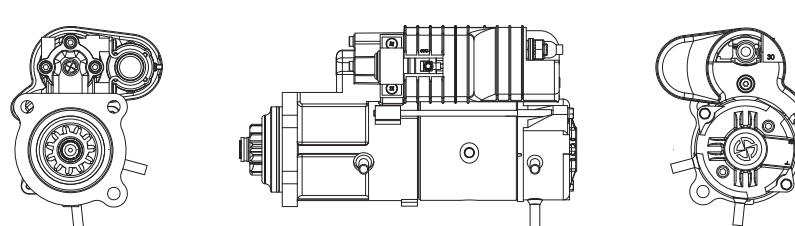
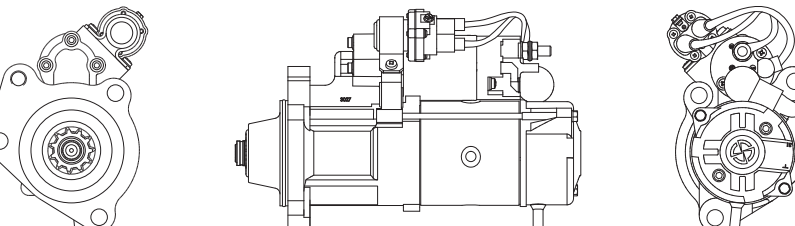


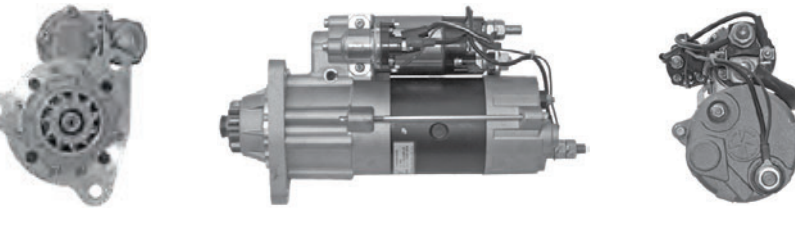
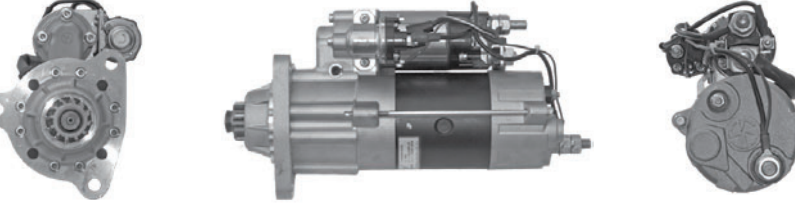
M105R3001SE	24V	7.5kW	ER / G	CW	GR	12	46.5	47.5	66.5	CHINESE BUS - Various models KING LONG - XMQ6121GEU, XMQ6127EU
										
M105R3002SE	24V	7.5kW	ER / G	CW	GR	11	47.9	47.5	66.5	WEIFENG - WD615 / WD618
										
M105R3003SE	24V	7.5kW	ER / G	CW	GR	11	47.6	69.5	88.5	WUXI - 6DM
										
M105R3004SE	24V	7.5kW	ER / G	CW	GR	12	46.5	47.5	66.5	CHINESE BUS - Various models
										
M105R3007SE	24V	7.5kW	ER / G	CW	GR	11	52.8	32	51	YULIN DIESEL - YC6M
										
M105R3011SE	24V	7.5kW	ER / G	CW	GR	11	52.8	32	51	YULIN DIESEL - YC6M
										

BUS & COACH BUYER'S GUIDE 2019

STARTER MOTORS



M105R3015SE	24V	7.5kW	ER / G	CW	GR	11	52.8	32	51	YULIN DIESEL - YC6A240-10
M105R3019SE	24V	7.5kW	ER / G	CW	GR	11	56.4	47.5	66.5	ADL - Enviro 500
M105R3020SE	24V	7.5kW	ER / G	CW	GR	11	41	47.5	66.5	WEIFENG - WD615 / WD618
M105R3021SE	24V	7.5kW	ER / G	CW	GR	11	47.9	47.5	66.5	WEIFENG - WP10 (Euro3)
M105R3022SE	24V	7.5kW	ER / G	CW	GR	11	48.3	49	68.2	SHANGHAI DIESEL - D6114
M105R3023SE	24V	7.5kW	ER / G	CW	GR	11	52.8	32	51	YULIN DIESEL - YC6M




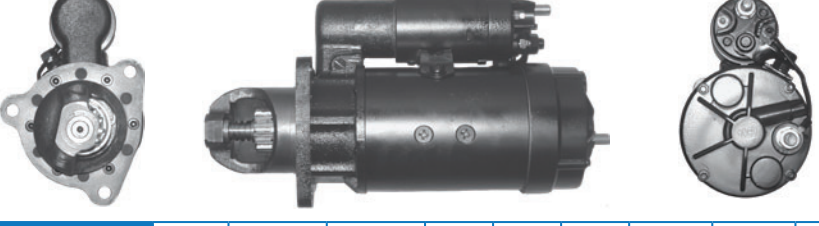

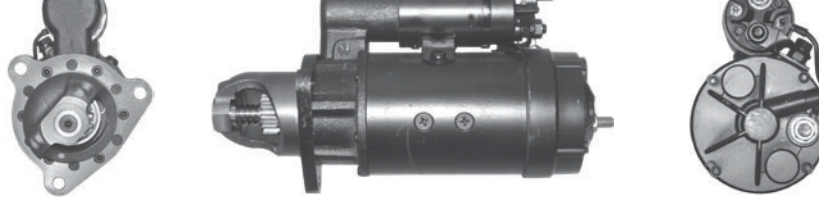
M105R3024SE	24V	7.5kW	ER / G	CW	GR	11	52.8	32	51	YULIN DIESEL - YC6A240-10
										
M105R3027SE	24V	7.5kW	ER / G	CW	GR	11	47.6	41.5	60.5	SHANGHAI DIESEL - D6114
										
M105R3031SE	24V	7.5kW	ER / G	CW	GR	12	44	48.5	67.5	KÄSSBOHRER - Setra S 416 GT-HD, S 417 GT-HD MERCEDES-BENZ - Citaro, Conecto, Turismo, Touro, Travego
										
M105R3131SE	24V	7.5kW	ER / G	CW	GR	11	43.5	48.5	67.5	MERCEDES-BENZ - OM470 10.7L
										
M105R3502SE	24V	7.5kW	IR	CW	GR	11	57.6	47.5	66.5	CUMMINS - ISM, ISX VAN HOOL - Various
										
M105R3503SE	24V	7.5kW	IR	CW	GR	12	46.6	47.5	66.5	ADL - Enviro 500 ANKIA - Bus IKARUS - Various
										

BUS & COACH BUYER'S GUIDE 2019

STARTER MOTORS



M105R3509SE	24V	7.5kW	IR	CW	GR	12	46.6	47.5	66.5	IKARUS - 398 / E98
MS1-302A	24V	7.5kW	IR	CW	DD	11	57.15	47.8	69.7	DENNIS - Trident
MS1-401A	24V	8.3kW	IR	CW	DD	11	57.15	47.8	69.7	DENNIS - Diminator, Dragon, Enviro 500, R series, Trident
MS1-403A	24V	8.3kW	IR	CW	DD	11	57.15	47.8	69.7	IRISBUS - FR 1
MS1-407A	24V	8.3kW	IR	CW	DD	11	57.15	47.8	69.7	LEYLAND BUS - Lynx, Royal Tiger, Tiger
MS1-410A	24V	8.3kW	IR	CW	DD	12	46.4	47.8	69.7	AEC - Kudu, Reliance LEYLAND BUS - National Mk1

MS1-411A	24V	8.3kW	IR	CW	DD	11	57.15	47.8	69.7	LEYLAND BUS - Olympian, Royal Tiger MCW BUSES - Metrobus, Metroliner VOLVO - Olympian
										
MS1-419A	24V	8.3kW	IR	CW	DD	12	46.4	47.8	69.7	AEC - Kudu, Reliance LEYLAND BUS - National Mk1 Was MS1-422A
										
MS3-502	24V	7.5kW	IR	CW	DD	12	46.4	48.8	66.5	LEYLAND BUS - Eland, Ranger B82, Viking
										
MS3-503	24V	7.5kW	IR	CW	DD	12	46.4	48.8	66.5	AEC - Routemaster DENNIS - Javelin, Trident
										
MS3-504	24V	7.5kW	IR	CW	DD	12	46	48.8	66.5	CUMMINS - Various engine GOLDEN DRAGON - XML6121E1A HIGER - Bus
										
MS3-505	24V	7.5kW	IR	CW	DD	12	46.4	48.8	66.5	DENNIS - Enviro 400
										

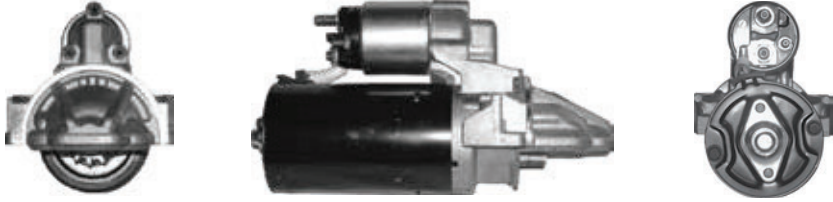
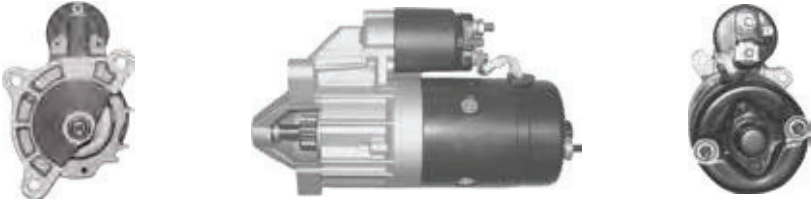
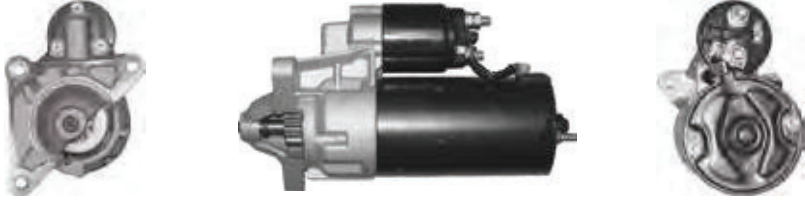
BUS & COACH BUYER'S GUIDE 2019

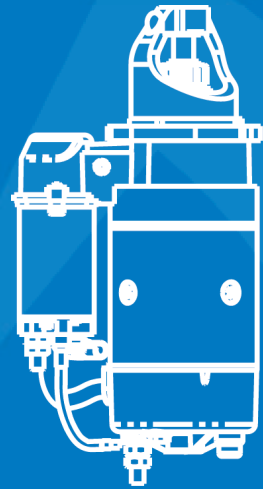
STARTER MOTORS



Starter Motor Buyer's Guide

MS4-400	24V	5.5kW	IR	CW	DD	12	37.2	48.5	64.7	DENNIS - Dart, Enviro 200, Javelin, Pointer
MS4-401	24V	5.5kW	IR	CW	DD	12	37.2	48.5	64.7	CENTRO - Various models DENNIS - Dart, Javein, Lancet LEYLAND BUS - Swift MCW BUSES - Metrorider OPTARE - Metro Rider AC CHINESE BUS - Various models GOLDEN DRAGON - XML6121E1G HIGER - KLQ6108GQ
MS4-404	24V	5.5kW	IR	CW	DD	10	39.7	48.5	64.7	DENNIS - Javelin
MS4-405	24V	5.5kW	IR	CW	DD	10	39.7	48.5	64.7	DENNIS - Javelin
MS4-407	24V	5.5kW	IR	CW	DD	10	39.7	48.5	64.7	DENNIS - Dart
S1053B	12V	2.0kW	ER / G	CW	GR	10	27.6	26	38	MERCEDES-BENZ - Sprinter, Vario was 20510134

S1054B	12V	2.0kW	ER / G	CW	GR	12					FORD - Transit
										was 860821	
S1071B	12V	2.2kW	ER / G	CW	GR	9	29	-4.2	10.9		CITROEN - Jumper, Relay PEUGEOT - Boxer
										was 20510108	
S1322V	12V	1.4kW	ER / G	CW	GR	9	25.8	-4	5.4		CITROEN - Jumper, Relay LDV - Convoy
										was 35258730	



Original	Prestolite	Original	Prestolite	Original	Prestolite	Original	Prestolite
ALE ANDER DENNIS (ADL)		658123	1277A730	IM161424	860657GB	IM570	860507GB
606981	66021507	658193	MS4-400	IM301	860653	IM579	860508GB
608478	1327A411	658193	MS4-400	IM310	860508GB	IM601	860506GB
611992	66021507	659006	MS4-400	IM312	860515GB	IM605	860545GB
615304	860608	659006	MS4-400	IM316	860545GB	IM606	860545GB
6334451	MS1-401A	659093	MS4-407	IM320	860660GB	IM617	860667GB
651080	880636	659093	MS4-407	IM322	860658	IM626	860547GB
651275	MS1-411A	659268	MS4-405	IM325	860504GB	IM632	860667GB
651997	MS4-400	659717	1277A740	IM326	860500GB	IM636	860667GB
651997	MS4-400	659717	1277A740	IM327	860546GB	IM642	860505GB
651998	860608	659718	1277A730	IM330	860548GB	IM643	860548GB
652098	1277A810	659718	1277A730	IM332	860658	IM645	860515GB
652225	1327A581	659772	MS4-401	IM335	860518GB	IM647	860544GB
652225	1327A581	659772	MS4-401	IM336	860547GB	IM653	860507GB
652701	MS3-503	659809	1286B590	IM340	860667GB	IM659	860545GB
652726	M105R3502SE	660070	MS3-503	IM350	860504GB	IM665	860511GB
652726	MS1-401A	660070	MS3-503	IM360	860506GB	IM673	860545GB
652726	M105R3502SE	660071	MS3-502	IM362	860545GB	IM674	860545GB
652726	MS1-401A	660118	MS3-505	IM371	860544GB	IM675	860511GB
652836	860608	660118	MS3-505	IM381	860545GB	IM6907	860615
6528361	860608	660589	1286B640	IM382	860545GB	IM6911	M105R3031SE
6528361	860608	660731	1286B560	IM502	860508GB	IM706	860305
653715	1277A810	660731	880731B	IM505	860500GB	IM751	860615
654436	1277A730	661096	M96R3019SE-A	IM508	860504GB	IM755	M105R3031SE
654436	1277A730	661097	1277A730	IM509	860504GB	IM756	M105R3031SE
654863	1283211	661098	1277A740	IM511	860516GB	VG158	8SC3157V
655112	880718	6612351	M105R3503SE	IM512	860516GB	VG2001	1277A640
655318	1277A740	661508	MS4-405	IM513	860657GB	VG2004	1277A720
655318	1277A740	661845	1286B670	IM520	860653	VG2007	1277A650
656479	1286B500	662086	AVI147S3108HD	IM521	860504GB	VG2011	860340
656479	880704B	662242	1286B640	IM522	860660GB	VG501	860560
656614	MS4-400	662515	M93R3014SE	IM523	860508GB	VG511	858882
656614	MS4-400	664508	MS4-405	IM524	860660GB	VG531	860562
656639	8SC3200V	685032	MS3-503	IM527	860657GB	VG555	860558
656650	MS1-302A	692960	66021507	IM538	860674GB	VG561	860558
656804	1277A750	AEA1070	20110217	IM541	860546GB	VG565	860558
656804x	1277A750	AES5002	20500673	IM542	860658	VG569	860559
657070	1286B570	AES5060	S1071B	IM543	860546GB	VG571	860563
657244	MS3-503	AES5067	20500185	IM544	860658	VG573	860563
657248	M105R3502SE	DP085126	1277A650	IM547	860653	VG575	860563
657248	MS1-401A	DP085129	860804GB	IM552	860516GB	VG577	860563
657276	1286B010	DP085129	AVI147 3110HD	IM553	860518GB	VG911	861309
657640	1286B510	DP085129	AVI147 3120HD	IM554	860660GB	VG921	861309
657990	1277A740	DP685511	1327A581	IM555	860653	BMC	
657990	1277A740	AVF		IM560	860653	57RS304686	1277A740
658032	MS3-503	IM1	860660GB	IM561	860512GB	57RS309306	1277A740
658032	MS3-503	IM161	860657GB	IM562	860509GB	57RS309348	1277A730
658123	1277A730	IM1614	860657GB	IM565	860512GB	61920309	1277A740

Original	Prestolite	Original	Prestolite	Original	Prestolite	Original	Prestolite
934791528	1277A740	0001231019	860818	0001263016	M93R3066SE	0001362601	20500534
9P901544	860318	0001231023	860813	0001263021	860716	0001364100	M93R3004SE
BOSCH		0001231023	M85R3003SE	0001263021	M93R3059SE	0001364207	M93R3091SE
0001106205	S1054B	0001231028	M93R3004SE	0001263022	860716	0001364301	M93R3004SE
0001107037	20500185	0001231029	861037	0001263022	M93R3059SE	0001364400	M93R3091SE
0001107048	20500185	0001231030	860818	0001263049	860321	0001367069	20500968
0001107072	20500185	0001231033	860321	0001263049	M93R3066SE	0001368001	M93R3004SE
0001107096	20500185	0001231033	M93R3066SE	0001330011	M105R3031SE	0001368007	M93R3004SE
0001107403	20500185	0001231034	860813	0001330018	M105R3509SE	0001368010	857472GB
0001109014	S1053B	0001231034	M85R3003SE	0001330020	M105R3031SE	0001368016	861037
0001109036	S1053B	0001231041	M93R3091SE	0001330050	M105R3031SE	0001368017	861038
0001109205	S1054B	0001231133	860321	0001330057	M105R3509SE	0001368020	860817
0001109250	S1053B	0001231133	M93R3066SE	0001358024	861036	0001368024	861036
0001109290	S1053B	0001231146	860716	0001358200	20500673	0001368052	861039
0001109305	S1054B	0001231146	M93R3059SE	0001358201	20500673	0001368052	M93R3104SE
0001109306	20513043	0001241001	M90R3545SE	0001358202	20500673	0001368055	861036
0001109324	S1054B	0001241003	M90R3543SE	0001359116	20500106	0001368056	860818
0001109325	S1054B	0001241006	M90R3544SE	0001360009	857472GB	0001368057	860512GB
0001109328	S1054B	0001241007	M90R3543SE	0001360010	857472GB	0001368062	861036
0001109371	20513043	0001241014	M90R3543SE	0001360012	M93R3004SE	0001368063	861038
0001109387	S1054B	0001241015	M90R3544SE	0001360013	861039	0001368070	861039
0001109388	S1054B	0001241019	M90R3543SE	0001360013	M93R3104SE	0001368070	M93R3104SE
0001109391	S1054B	0001241020	M90R3544SE	0001360014	M93R3004SE	0001368074	861038
0001110044	S1071B	0001241119	M90R3543SE	0001360022	861036	0001368081	861037
0001110051	S1071B	0001241128	M105R3031SE	0001360030	M93R3004SE	0001368300	861036
0001110065	S1071B	0001261001	M90R3545SE	0001360035	M93R3004SE	0001368301	857472GB
0001125503	20513055	0001261002	M90R3545SE	0001360037	861036	0001368304	861039
0001125504	20513055	0001261004	M90R3543SE	0001360038	857472GB	0001368304	M93R3104SE
0001218157	S1071B	0001261007	M90R3544SE	0001360050	861039	0001368305	860818
0001223001	S1071B	0001261008	M90R3544SE	0001360050	M93R3104SE	0001368306	861039
0001223003	20513043	0001261012	M90R3544SE	0001360061	861038	0001368306	M93R3104SE
0001223005	S1053B	0001261013	M90R3544SE	0001360063	860817	0001368307	861036
0001223007	20513043	0001261025	M90R3545SE	0001362001	20500534	0001368309	861036
0001223024	20513043	0001261026	M90R3545SE	0001362002	20500534	0001368310	860818
0001231002	860321	0001261028	M90R3545SE	0001362003	20500534	0001368313	M93R3091SE
0001231002	M93R3066SE	0001261041	M90R3538SE	0001362004	20500534	0001368317	860818
0001231003	861036	0001261045	M90R3544SE	0001362027	20500534	0001369004	20500534
0001231004	860618	0001261049	M90R3547SE	0001362028	20500534	0001371006	860305
0001231005	M93R3004SE	0001261069	M90R3544SE	0001362029	20500534	0001371007	860305
0001231007	860818	0001261071	M90R3564SE	0001362030	20500534	0001371010	M90R3543SE
0001231008	861037	0001261072	M90R3564SE	0001362038	20500534	0001371015	M90R3543SE
0001231009	861039	0001261085	M90R3544SE	0001362047	20500534	0001371018	M105R3502SE
0001231009	M93R3104SE	0001261086	M90R3544SE	0001362069	20500534	0001371019	860615
0001231011	860817	0001261087	M90R3564SE	0001362070	20500534	0001372001	860615
0001231013	M93R3091SE	0001261088	M90R3564SE	0001362077	20500534	0001372002	M90R3543SE
0001231014	861038	0001263005	M93R3059SE	0001362078	20500534	0001372005	M105R3031SE
0001231016	860716	0001263006	M93R3059SE	0001362307	20500673	0001372006	M105R3031SE
0001231016	M93R3059SE	0001263016	860321	0001362600	20500534	0001372007	M90R3543SE

Original	Prestolite	Original	Prestolite	Original	Prestolite	Original	Prestolite
BOSCH		0001411013	860544GB	0001416044	860658	0001420014	M105R3503SE
0001402008	860660GB	0001411014	860660GB	0001416047	860653	0001420014	MS1-410A
0001402009	860657GB	0001411016	860504GB	0001416052	860516GB	0001420024	MS1-410A
0001402011	860657GB	0001411017	860545GB	0001416053	860518GB	0009410041	860667GB
0001402022	860547GB	0001411025	860545GB	0001416054	860660GB	0120400690	861001
0001402040	860504GB	0001411026	860545GB	0001416055	860653	0120400799	861001
0001402043	860657GB	0001414002	860657GB	0001416059	860657GB	0120450509	860143
0001402053	860504GB	0001414003	860660GB	0001416060	860653	0120458065	860560
0001402054	860660GB	0001414007	860653	0001416061	860512GB	0120468037	860562
0001402055	860660GB	0001414008	860504GB	0001416062	860509GB	0120468053	860558
0001402056	860657GB	0001414010	860653	0001416065	860512GB	0120468065	860560
0001402058	860657GB	0001414017	860657GB	0001416067	860509GB	0120468093	860551
0001402059	860657GB	0001414018	860657GB	0001416070	860500GB	0120468094	860560
0001402075	860653	0001414019	860500GB	0001416073	860508GB	0120468107	860558
0001402081	860660GB	0001414021	860658	0001416074	860508GB	0120468113	860558
0001410001	860667GB	0001415001	860508GB	0001416078	860508GB	0120468114	860562
0001410005	860544GB	0001415002	860660GB	0001416079	860508GB	0120468115	860558
0001410006	860667GB	0001415004	860504GB	0001417001	860506GB	0120468116	860560
0001410010	860667GB	0001415005	860500GB	0001417004	860548GB	0120468117	860558
0001410012	860660GB	0001415008	860548GB	0001417005	860545GB	0120468118	860558
0001410013	860506GB	0001415010	860657GB	0001417006	860545GB	0120468124	860560
0001410015	860667GB	0001415013	860500GB	0001417017	860667GB	0120468129	860560
0001410016	860667GB	0001415016	860504GB	0001417026	860547GB	0120468130	860560
0001410021	860660GB	0001415017	860516GB	0001417032	860667GB	0120468131	860557
0001410024	860508GB	0001415018	860516GB	0001417036	860667GB	0120468135	860551
0001410029	860657GB	0001415019	860547GB	0001417042	860505GB	0120468137	860558
0001410030	860657GB	0001415021	860518GB	0001417043	860548GB	0120468138	860558
0001410037	860548GB	0001415027	860508GB	0001417044	860548GB	0120468140	860561
0001410041	860667GB	0001416002	860508GB	0001417045	860515GB	0120468143	860563
0001410044	860504GB	0001416005	860500GB	0001417046	860515GB	0120468144	860551
0001410045	860667GB	0001416006	860509GB	0001417047	860544GB	0120468145	860563
0001410046	860500GB	0001416008	860504GB	0001417051	860506GB	0120468149	860558
0001410050	860518GB	0001416009	860504GB	0001417053	860507GB	0120468154	860561
0001410057	860658	0001416011	860516GB	0001417059	860545GB	0120468162	860561
0001410058	860653	0001416012	860516GB	0001417065	860511GB	0120468260	860551
0001410065	860545GB	0001416013	860657GB	0001417073	860545GB	0120469001	858783
0001410067	860546GB	0001416017	860657GB	0001417074	860545GB	0120469001	860143
0001410068	860658	0001416020	860653	0001417075	860511GB	0120469014	858884
0001410077	860658	0001416021	860504GB	0001420003	M105R3503SE	0120469018	860551
0001410078	860547GB	0001416022	860660GB	0001420003	MS1-410A	0120469019	858783
0001410088	860508GB	0001416023	860508GB	0001420004	M105R3503SE	0120469019	860143
0001410090	860658	0001416024	860660GB	0001420004	MS1-410A	0120469024	859020
0001410091	860653	0001416025	860657GB	0001420005	M105R3503SE	0120469025	860143
0001410106	860516GB	0001416027	860657GB	0001420005	MS1-410A	0120469033	860551
0001410115	860515GB	0001416038	860674GB	0001420009	M105R3503SE	0120469038	859020
0001410116	860674GB	0001416041	860546GB	0001420009	MS1-410A	0120469039	858783
0001410602	860518GB	0001416042	860658	0001420013	M105R3503SE	0120469044	860551
0001411009	860506GB	0001416043	860546GB	0001420013	MS1-410A	0120469101	858783

Cross-Reference

Original	Prestolite	Original	Prestolite	Original	Prestolite	Original	Prestolite
0120469103	860143	0120488273	859020	0120489332	20100719	0120689533	1277A640
0120469115	860559	0120488277	860167	0120489333	20100719	0120689535	1277A640
0120469116	860559	0120488278	860167	0120489354	20100719	0120689538	861338
0120469117	860559	0120488282	858783	0120489355	20100719	0120689540	1277A690
0120469119	860563	0120488289	859020	0120489359	20100719	0120689540	1277A720
0120469120	860563	0120488291	860167	0120489684	859020	0120689541	1277A690
0120469509	860143	0120488292	861001	0120489707	861001	0120689541	1277A720
0120469518	860143	0120489023	861001	0120489727	858783	0120689542	1277A670
0120469523	858884	0120489053	859020	0120489728	858783	0120689542	1277A690
0120469527	859020	0120489060	858884	0120489730	861001	0120689542	1277A720
0120469562	859020	0120489221	858783	0120489827	859020	0120689542	1277A840
0120469569	858882	0120489224	859020	0120489944	858783	0120689543	1277A700
0120469643	858882	0120489225	858783	0120548549	1277A700	0120689545	1277A750
0120469686	858783	0120489230	859020	0120548552	1277A700	0120689546	1277A840
0120469692	859020	0120489231	858783	0120548566	1277A700	0120689548	1277A700
0120469744	20100723	0120489232	20100719	0120548573	1277A700	0120689549	1277A700
0120469745	20100723	0120489232	20100721	0120689503	1277A640	0120689550	861338
0120469746	20100723	0120489233	20100719	0120689504	1277A720	0120689552	1277A680
0120469761	859020	0120489233	20100721	0120689505	1277A670	0120689557	1277A750
0120469763	858882	0120489234	20100719	0120689506	1277A650	0120689559	1277A640
0120469798	858884	0120489274	20100719	0120689506	1277A670	0120689561	1277A700
0120469807	858882	0120489275	20100719	0120689506	1277A690	0120689562	860340
0120469811	20100723	0120489282	858783	0120689507	1277A690	0120689564	1277A750
0120469891	859020	0120489284	858783	0120689507	1277A720	0120689566	1277A680
0120469894	20100723	0120489298	20100719	0120689508	1277A640	0120689566	1277A700
0120469897	20100723	0120489299	20100719	0120689511	1277A700	0120689567	1277A650
0120469900	858882	0120489299	20100721	0120689512	1277A640	0120689569	1277A720
0120469920	860157	0120489300	20100719	0120689513	1277A640	0120689571	1277A640
0120469920	860560	0120489301	20100719	0120689514	1277A640	0120689572	1277A760
0120469927	20100723	0120489301	20100721	0120689514	1277A700	0120689573	1277A640
0120469928	20100723	0120489302	20100719	0120689515	1277A640	0120689573	1277A700
0120469943	20100723	0120489302	20100721	0120689516	861338	0120689574	1277A700
0120469946	20100723	0120489303	858884	0120689517	1277A690	0120689575	1277A760
0120469947	20100723	0120489316	858783	0120689517	1277A720	0120689582	1277A760
0120469948	20100723	0120489320	859020	0120689518	1277A750	0120689584	1277A760
0120469959	858882	0120489321	20100719	0120689520	1277A640	0120689587	1277A640
0120469960	858882	0120489322	20100719	0120689520	1277A690	0120689588	1277A650
0120469963	860157	0120489323	20100719	0120689522	1277A690	0120689591	1277A700
0120469963	860560	0120489324	20100719	0120689522	1277A720	0123315501	20110217
0120469982	858783	0120489325	20100719	0120689523	1277A840	0123320010	20110217
0120469983	859020	0120489326	20100719	0120689524	861338	0123320045	20110217
0120485022	20110217	0120489327	20100719	0120689526	1277A670	0123320051	20130237
0120486037	860562	0120489328	20100719	0120689527	1277A690	0123320061	20110217
0120488208	859020	0120489328	20100721	0120689527	1277A720	0123320065	20130237
0120488224	861001	0120489329	20100719	0120689530	1277A640	0123335003	20110217
0120488232	859020	0120489329	20100721	0120689530	1277A670	0123520500	860710GBA
0120488256	860167	0120489330	20100719	0120689531	1277A750	0123520500	861285
0120488271	858783	0120489331	20100719	0120689532	1277A640	0123525500	860710GBA

Original	Prestolite	Original	Prestolite	Original	Prestolite	Original	Prestolite
BOSCH		0124555058	AVI147 3110HD	0124655042	860807GB	0986011290	861037
0123525500	861285	0124555058	AVI147 3120HD	0124655047	860811GB	0986011330	860817
0123525502	860712GBA	0124555061	860810GB	0124655057	861332	0986011331	860817
0123525502	861286	0124555061	AVI147S3108HD	0124655065	860810GB	0986011360	861036
0123525503	860706GBA	0124555065	860807GB	0124655065	AVI147S3108HD	0986011410	860653
0123525503	861284	0124555117	861066GB	0124655072	861336	0986011420	860660GB
0123689551	1277A700	0124555118	861066GB	0124655073	861330	0986011430	860548GB
01240AC9TB	861066GB	0124555559	860804GB	0124655079	AVI147 3110HD	0986011440	860667GB
0124325039	20130237	0124555559	AVI147 3110HD	0124655082	860810GB	0986011450	860500GB
0124325046	20130237	0124555559	AVI147 3120HD	0124655082	AVI147S3108HD	0986011470	860546GB
0124325093	20130237	0124555581	861066GB	0124655091	860810GB	0986011480	860657GB
0124325105	20130237	0124555582	861066GB	0124655091	AVI147S3108HD	0986011490	860508GB
0124525085	AVI160 2004	0124625043	AVI160P2003	0124655097	860807GB	0986011510	860506GB
0124525085	AVI160 2008	0124625044	AVI160 2004	0124655102	861332	0986011550	860660GB
0124555001	860807GB	0124625044	AVI160 2008	0124655124	861334	0986011560	860653
0124555002	860807GB	0124625046	AVI160P2003	0124655125	861331	0986011570	860508GB
0124555003	860809GB	0124625048	AVI160P2003	0124655131	AVI147 3110HD	0986011573	860508GB
0124555003	861279GB	0124625051	AVI160P2003	0124655144	861333	0986012480	860515GB
0124555004	860807GB	0124655001	860807GB	0124655156	AVI147 3110HD	0986012690	20500534
0124555005	860810GB	0124655002	860807GB	0124655160	861334	0986012700	M93R3004SE
0124555005	AVI147S3108HD	0124655003	860809GB	0124655161	861331	0986012740	860504GB
0124555007	860807GB	0124655004	860807GB	0124655171	AVI147 3110HD	0986012800	860657GB
0124555009	860804GB	0124655005	860810GB	0124655181	861335	0986013010	20500185
0124555009	AVI147 3110HD	0124655005	AVI147S3108HD	0124655182	861335	0986013260	860504GB
0124555009	AVI147 3120HD	0124655008	860804GB	0124655289	861336	0986013420	860516GB
0124555013	860808GB	0124655008	AVI147 3110HD	0124655291	861330	0986013430	860545GB
0124555014	860811GB	0124655008	AVI147 3120HD	0124655325	AVI147 3110HD	0986013440	860545GB
0124555015	860807GB	0124655009	860808GB	0124655331	AVI147 3110HD	0986013450	860505GB
0124555016	860807GB	0124655011	860811GB	0124655333	AVI147 3110HD	0986013460	860515GB
0124555017	860804GB	0124655012	860804GB	0124655405	861066GB	0986013490	861036
0124555017	AVI147 3110HD	0124655012	AVI147 3110HD	0124655411	860809GB	0986013493	861036
0124555017	AVI147 3120HD	0124655012	AVI147 3120HD	0124655412	860809GB	0986013720	860818
0124555018	861066GB	0124655013	860804GB	0124655415	860809GB	0986013730	860508GB
0124555020	860804GB	0124655013	AVI147 3110HD	0124655451	AVI147 3110HD	0986014550	860658
0124555020	AVI147 3110HD	0124655013	AVI147 3120HD	0124655457	AVI147 3110HD	0986014560	860509GB
0124555020	AVI147 3120HD	0124655014	861066GB	0124655673	861333	0986014780	860653
0124555022	860807GB	0124655016	860807GB	0986010950	20500673	0986014790	860660GB
0124555025	860811GB	0124655019	860804GB	0986010951	20500673	0986014870	860546GB
0124555032	860807GB	0124655019	AVI147 3110HD	0986010970	861039	0986014910	860500GB
0124555036	860804GB	0124655019	AVI147 3120HD	0986010970	M93R3104SE	0986015430	860512GB
0124555036	AVI147 3110HD	0124655021	AVI147 3110HD	0986010971	861039	0986015670	860507GB
0124555036	AVI147 3120HD	0124655023	860807GB	0986010971	M93R3104SE	0986015690	860512GB
0124555040	860809GB	0124655024	AVI147 3110HD	0986010980	861038	0986016380	20500185
0124555040	861279GB	0124655034	860807GB	0986011000	20500534	0986016510	860506GB
0124555041	860809GB	0124655036	860809GB	0986011050	20500534	0986016520	860506GB
0124555041	861279GB	0124655037	860809GB	0986011150	20500534	0986016950	S1071B
0124555044	860807GB	0124655038	860809GB	0986011270	M93R3004SE	0986017050	860511GB
0124555058	860804GB	0124655039	860809GB	0986011280	857472GB	0986017240	860321

Cross-Reference

Original	Prestolite	Original	Prestolite	Original	Prestolite	Original	Prestolite
0986017240	M93R3066SE	0986024990	M105R3509SE	0986036240	860560	0986044060	860340
0986017250	860548GB	0986025060	M105R3031SE	0986036241	860560	0986045160	860810GB
0986017320	860615	0986025450	M90R3547SE	0986036280	860560	0986045160	AVI147S3108HD
0986017760	860305	0986025900	M90R3564SE	0986036281	860560	0986045170	861285
0986017860	861037	0986030520	860143	0986036350	20100723	0986045280	860807GB
0986017870	860818	0986031190	858884	0986036360	20100723	0986045290	860807GB
0986017980	M93R3091SE	0986031230	859020	0986036820	20110217	0986045293	860807GB
0986017990	861036	0986031260	861001	0986036920	859020	0986045430	860810GB
0986018000	860508GB	0986031310	858783	0986037410	858783	0986045430	AVI147S3108HD
0986018090	860511GB	0986031318	858783	0986037420	1277A640	0986045490	860809GB
0986018151	20500968	0986031450	858783	0986037440	860167	0986045490	861279GB
0986018283	860321	0986031600	1277A640	0986037700	860558	0986045500	860809GB
0986018283	M93R3066SE	0986032720	858882	0986037760	860562	0986045990	1277A680
0986018370	M105R3031SE	0986032721	858882	0986037770	860558	0986046000	20110217
0986018420	860516GB	0986033100	859020	0986037771	860558	0986046040	861286
0986018490	20513043	0986033280	20100719	0986037773	860558	0986046290	860804GB
0986018651	860507GB	0986033288	20100719	0986038170	20110217	0986046290	AVI147 3110HD
0986018810	860545GB	0986033290	20100719	0986038176	20110217	0986046290	AVI147 3120HD
0986018850	20500185	0986033298	20100719	0986038290	1277A640	0986046550	1277A650
0986018950	20513043	0986033330	861001	0986039140	1277A670	0986046560	860809GB
0986018990	860818	0986033510	858783	0986039260	860551	0986046560	861279GB
0986019000	860508GB	0986033520	1277A640	0986039340	860560	0986046570	860809GB
0986019010	860817	0986033550	1277A640	0986039410	1277A700	0986046590	860808GB
0986019620	860544GB	0986033570	858783	0986039490	860557	0986047160	1277A760
0986019830	860618	0986033670	20100719	0986039530	1277A690	0986047420	860808GB
0986020070	861037	0986033720	20100719	0986039530	1277A720	0986047430	860811GB
0986020170	860716	0986033728	20100719	0986039790	860559	0986047440	860804GB
0986020170	M93R3059SE	0986033730	20100719	0986040260	860559	0986047440	AVI147 3110HD
0986020190	861038	0986033740	20100719	0986041030	860563	0986047440	AVI147 3120HD
0986020340	860615	0986033750	20100719	0986041033	860563	0986047520	860811GB
0986020880	M105R3031SE	0986033785	66021507	0986041040	20110217	0986047870	858783
0986021000	M93R3004SE	0986033810	20100719	0986041090	860143	0986048100	860807GB
0986021480	M90R3545SE	0986033811	20100719	0986041530	20130237	0986048110	860807GB
0986021490	M90R3543SE	0986033820	859020	0986041570	860559	0986049320	861066GB
0986022260	M90R3544SE	0986033840	858884	0986041580	858783	0986049323	861066GB
0986022830	860321	0986033920	859020	0986041640	1277A640	0986049350	860804GB
0986022830	M93R3066SE	0986034020	20100723	0986042350	860561	0986049350	AVI147 3110HD
0986022940	20540102	0986034030	20100723	0986042360	860807GB	0986049350	AVI147 3120HD
0986022980	M105R3031SE	0986034050	20100719	0986042370	860807GB	0986049360	860804GB
0986022990	861039	0986034060	20100719	0986042380	860807GB	0986049360	AVI147 3110HD
0986022990	M93R3104SE	0986034270	858783	0986042390	860807GB	0986049360	AVI147 3120HD
0986023200	860813	0986034350	858884	0986042400	860807GB	0986049770	860809GB
0986023200	M85R3003SE	0986034370	858884	0986042410	860807GB	0986049780	861066GB
0986023430	20540101	0986034400	858783	0986042520	20130237	0986050351	20500968
0986023530	S1054B	0986034600	1277A720	0986042530	20130237	0986081010	AVI147 3110HD
0986023830	860321	0986034610	1277A700	0986042850	1277A720	0986081860	860551
0986023830	M93R3066SE	0986034910	1277A640	0986043650	20130237	0986081870	861078
0986024670	M90R3538SE	0986035620	859020	0986043890	860563	1986A00004	1277A640

Original	Prestolite	Original	Prestolite	Original	Prestolite	Original	Prestolite
BOSCH		9120456034	1277A640	B 1157	860508GB	B 1900	860508GB
1986A00007	1277A640	9120456044	1277A640	B 1248	860515GB	B 1901	860817
1986A00009	1277A760	9120456047	1277A640	B 1269	20500534	B 1983	860618
6033AC0220	M93R3091SE	9120456048	1277A640	B 1270	M93R3004SE	B 2007	861037
6033GB3003	860557	9120456052	1277A720	B 1274	860504GB	B 2017	860716
6033GB3010	860563	9120456053	1277A720	B 1280	860657GB	B 2017	M93R3059SE
6033GB3014	860558	AL9938	858882	B 1326	860504GB	B 2019	861038
6033GB3014	860559	AL9960LH	AVI160 2004	B 1342	860516GB	B 2034	860615
6033GB3019	860559	AL9960LH	AVI160 2008	B 1343	860545GB	B 2088	M105R3031SE
6033GB3020	860551	AL9961LH	AVI160P2003	B 1344	860545GB	B 2148	M90R3545SE
6033GB3021	860551	AL9962SB	AVI160P2003	B 1345	860505GB	B 2149	M90R3543SE
6033GB3022	860559	AL9963SB	AVI160 2004	B 1346	860515GB	B 2226	M90R3544SE
6033GB3023	860563	AL9963SB	AVI160 2008	B 1349	861036	B 2298	M105R3031SE
6033GB3027	860559	B001260000	861039	B 1372	860818	B 2299	861039
6033GB3033	860557	B001260000	M93R3104SE	B 1373	860508GB	B 2299	M93R3104SE
6033GB3034	860557	B120500187	1277A720	B 1455	860658	B 2320	860813
6033GB3047	858783	B120500188	1277A720	B 1456	860509GB	B 2320	M85R3003SE
6033GB3054	860558	B120500406	1277A720	B 1478	860653	B 3052	860143
6033GB3055	858783	B120500407	1277A720	B 1479	860660GB	B 3123	859020
6033GB3057	860557	B120516380	860810GB	B 1487	860546GB	B 3126	861001
6033GB3060	860557	B120516380	AVI147S3108HD	B 1491	860500GB	B 3131	858783
6033GB3073	860551	BNG424CRS162BR	860657GB	B 1543	860512GB	B 3145	858783
6033GB3083	860563	BNG424CRS162SR	860657GB	B 1567	860507GB	B 3160	1277A640
6039GB3019	860559	BNG424CRS164BR	860657GB	B 1569	860512GB	B 3272	858882
9000083064	861036	BNG424CRS165BR	860657GB	B 1638	20500185	B 3310	859020
9000083065	861036	BNG424CRS165SR	860657GB	B 1652	860506GB	B 3328	20100719
9000084012	860505GB	B 1095	20500673	B 1695	S1071B	B 3329	20100719
9000084012	860548GB	B 1097	861039	B 1705	860511GB	B 3333	861001
9000084013	860548GB	B 1097	M93R3104SE	B 1724	860321	B 3351	858783
9000084014	860505GB	B 1098	861038	B 1724	M93R3066SE	B 3352	1277A640
9000084018	860500GB	B 1100	20500534	B 1725	860548GB	B 3355	1277A640
9000084019	860500GB	B 1105	20500534	B 1732	860615	B 3357	858783
9000143406	20500534	B 1115	20500534	B 1776	860305	B 3367	20100719
9000143408	20500534	B 1127	M93R3004SE	B 1786	861037	B 3372	20100719
9004475020	20500673	B 1128	857472GB	B 1787	860818	B 3373	20100719
9004475021	20500673	B 1129	861037	B 1798	M93R3091SE	B 3374	20100719
9004475034	20500106	B 1133	860817	B 1799	861036	B 3375	20100719
9004475034	20500137	B 1136	861036	B 1800	860508GB	B 3381	20100719
9004475320	20500673	B 1141	860653	B 1809	860511GB	B 3382	859020
9004475321	20500673	B 1142	860660GB	B 1815	20500968	B 3384	858884
9004475404	20500137	B 1143	860548GB	B 1837	M105R3031SE	B 3392	859020
9009084012	860505GB	B 1144	860667GB	B 1842	860516GB	B 3402	20100723
9009084013	860548GB	B 1145	860500GB	B 1849	20513043	B 3403	20100723
9120080114	858884	B 1147	860546GB	B 1865	860507GB	B 3405	20100719
9120456001	1277A640	B 1149	860508GB	B 1881	860545GB	B 3406	20100719
9120456003	1277A700	B 1151	860506GB	B 1885	20500185	B 3427	858783
9120456012	1277A640	B 1155	860660GB	B 1895	20513043	B 3435	858884
9120456031	1277A640	B 1156	860653	B 1899	860818	B 3437	858884

Cross-Reference

Original	Prestolite	Original	Prestolite	Original	Prestolite	Original	Prestolite
B 3440	858783	B 4285	1277A720	F042308016	8SC3110VC	10685552	MS1-419A
B 3460	1277A720	B 4365	20130237	F042512906	858783	10R0399	M105R3503SE
B 3461	1277A680	B 4389	860563	S308	20500534	10R0399	MS1-410A
B 3461	1277A700	B 4406	860340	SR61	20500534	10R0400	M105R3502SE
B 3461	1277A750	B 4516	860810GB	SR67	20500534	10R0400	MS1-401A
B 3491	1277A640	B 4516	AVI147S3108HD	SR913	M93R3004SE	10R0405	M105R3503SE
B 3562	859020	B 4517	861285	SR925	M93R3004SE	10R0405	MS1-410A
B 3624	860560	B 4528	860807GB	SR950	M105R3502SE	1142401	8LHA3096U
B 3628	860560	B 4529	860807GB	SR950	MS1-401A	200619	BLP3312
B 3635	20100723	B 4543	860810GB	SR957	MS1-403A	2071541	M105R3503SE
B 3636	20100723	B 4543	AVI147S3108HD	SR963	MS1-419A	2071541	MS1-410A
B 3682	20110217	B 4549	860809GB	CARRIER		2071551	M105R3503SE
B 3692	859020	B 4549	861279GB	281004010	8SC3133U	2071551	MS1-410A
B 3741	858783	B 4550	860809GB	281004012	8SC3157V	2071552	M105R3503SE
B 3742	1277A640	B 4599	1277A680	CATERPILLAR		2071552	MS1-419A
B 3744	860167	B 4604	861286	0025900	M105R3503SE	2071553	M105R3503SE
B 3770	860558	B 4629	860804GB	0025900	MS1-419A	2071553	MS1-419A
B 3776	860562	B 4629	AVI147 3110HD	0R2186	M105R3503SE	2071556	M105R3502SE
B 3777	860558	B 4629	AVI147 3120HD	0R2186	MS1-419A	2071556	MS1-401A
B 3817	20110217	B 4656	860809GB	0R2187	MS1-403A	2071557	M105R3502SE
B 3829	1277A640	B 4656	861279GB	0R2190	MS1-403A	2071557	MS1-401A
B 3829	1277A670	B 4657	860809GB	0R3652	858882	2071560	M105R3503SE
B 3914	1277A670	B 4659	860808GB	0R3749	8LHA3096U	2071560	MS1-419A
B 3914	1277A690	B 4716	1277A760	0R3784	M105R3503SE	2071564	M105R3502SE
B 3926	860551	B 4742	860808GB	0R4256	M105R3503SE	2071564	MS1-401A
B 3934	860560	B 4743	860811GB	0R4256	MS1-419A	25900	M105R3503SE
B 3941	1277A700	B 4744	860804GB	0R4257	M105R3503SE	25900	MS1-410A
B 3949	860557	B 4744	AVI147 3110HD	0R4257	MS1-419A	2P2502	M105R3503SE
B 3953	1277A690	B 4744	AVI147 3120HD	0R4259	MS1-403A	2P2502	MS1-410A
B 3953	1277A720	B 4752	860811GB	0R5203	8LHA3096U	2S0900	M105R3503SE
B 3979	860559	B 4787	858783	0R5207	M105R3503SE	2S0900	MS1-419A
B 4026	860559	B 4810	860807GB	0R5207	MS1-419A	2T0792	M105R3502SE
B 4103	860563	B 4811	860807GB	0R5209	MS1-403A	2T0792	MS1-401A
B 4104	20110217	B 4932	861066GB	0R5270	M105R3503SE	3001117	8SC3157V
B 4109	860143	B 4935	860804GB	0R5270	MS1-419A	372652	M105R3503SE
B 4153	20130237	B 4935	AVI147 3110HD	1047041	M105R3502SE	372652	MS1-410A
B 4157	860559	B 4935	AVI147 3120HD	1047041	MS1-401A	3A1872	M105R3503SE
B 4158	858783	B 4936	860804GB	1047042	M105R3502SE	3A1872	MS1-419A
B 4164	1277A640	B 4936	AVI147 3110HD	1047042	MS1-401A	3A1872H	M105R3503SE
B 4235	860561	B 4936	AVI147 3120HD	1068551	M105R3502SE	3A1872H	MS1-419A
B 4236	860807GB	B 5034	20500106	1068551	MS1-401A	3A1872H06	M105R3502SE
B 4237	860807GB	B 5035	20500968	1068552	M105R3503SE	3A1872H06	MS1-401A
B 4238	860807GB	F000LD0206	1277A640	1068552	MS1-410A	3E2298	M105R3503SE
B 4239	860807GB	F000LD0212	1277A640	1068554	M105R3502SE	3P0006	M105R3503SE
B 4240	860807GB	F000LD0213	1277A650	1068554	MS1-401A	3P0006	MS1-410A
B 4241	860807GB	F032CA1049	860551	1068555	M105R3503SE	3P0007	M105R3503SE
B 4252	20130237	F042003084	860321	1068555	MS1-419A	3P0007	MS1-410A
B 4253	20130237	F042003084	M93R3066SE	10685552	M105R3503SE	3P0110	M105R3503SE

Original	Prestolite	Original	Prestolite	Original	Prestolite	Original	Prestolite
CATERPILLAR		4N3182	MS1-419A	6V5821	M105R3503SE	8N2145	MS1-419A
3P0110	MS1-410A	4N3347	M105R3503SE	6V5821	MS1-410A	9G4337	M105R3503SE
3R2647	M105R3503SE	4N3347	MS1-419A	7L0794	MS1-403A	9G4337	MS1-410A
3R2647	MS1-419A	4N3348	M105R3503SE	7L0800	MS1-403A	9G4338	M105R3503SE
3R7356	M105R3503SE	4N3348	MS1-419A	7L0801	MS1-403A	9G4338	MS1-419A
3R7356	MS1-419A	4N3350	M105R3503SE	7L0806	MS1-403A	9G4339	M105R3503SE
3T2579	M105R3503SE	4N3350	MS1-419A	7L8797	MS1-403A	9G4339	MS1-419A
3T2579	MS1-419A	4N3986	8LHA3096U	7N0923	M105R2511SE	9G5584	MS1-403A
3T2646	MS1-403A	4N7902	M105R3503SE	7N0933	M105R2511SE	9G5585	MS1-403A
3T2647	M105R3503SE	4N7902	MS1-410A	7N1285	M105R3503SE	9G6941	M105R2511SE
3T2647	MS1-410A	4N7905	M105R3503SE	7N1285	MS1-419A	9L6691	MS1-403A
3T2649	MS1-403A	4N7905	MS1-419A	7S3622	M105R3503SE	9M1662	M105R3503SE
3T2650	MS1-403A	4N8118	MS1-403A	7S3622	MS1-419A	9M1662	MS1-419A
3T2652	M105R3503SE	4N957	MS1-403A	7S5900	M105R3503SE	9N0435	MS1-403A
3T2652	MS1-419A	5A6494	M105R3503SE	7S5900	MS1-410A	9N0453	MS1-403A
3T2660	M105R3503SE	5A6494	MS1-410A	7T0794	M105R3502SE	9W3043	858882
3T2660	MS1-419A	5A6494	MS1-419A	7T0794	MS1-401A	9 0353	M105R2511SE
3T2756	M105R3503SE	5A6495	M105R3503SE	7T0796	M105R3502SE	9 4447	M105R3503SE
3T2756	MS1-410A	5A6495	MS1-419A	7T0796	MS1-401A	9 4447	MS1-410A
3T2764	M105R3503SE	5A6522	M105R3503SE	7T0798	M105R3503SE	9 4454	M105R3503SE
3T2764	MS1-419A	5A6522	MS1-419A	7T0798	MS1-419A	9 4454	MS1-419A
3T2772	M105R3503SE	5L2537	MS1-403A	7T0799	M105R3503SE	9 4507	M105R3503SE
3T2772	MS1-419A	5L2637	MS1-403A	7T0799	MS1-419A	9 4507	MS1-410A
3T3152	MS1-403A	5L4431	M105R3502SE	7T0800	M105R3502SE	9 7803	8LHA3096U
3T3153	MS1-403A	5L4431	MS1-401A	7T0800	MS1-401A	CITRO N	
3T4581	M105R3503SE	5L537	MS1-403A	7T0801	M105R3502SE	1473638080	S1071B
3T4581	MS1-419A	5L637	MS1-403A	7T0801	MS1-401A	1475489080	S1071B
3T4582	M105R3503SE	5R3155	M105R3503SE	7T0806	M105R3502SE	9611705880	S1071B
3T4582	MS1-419A	5R3155	MS1-419A	7T0806	MS1-401A	9625382480	S1071B
3T4583	M105R3503SE	5R3857	M105R3503SE	7T1082	M105R3503SE	CUMMINS	
3T4583	MS1-419A	5R3857	MS1-419A	7T1082	MS1-419A	0707328R	M105R3502SE
3T4584	M105R3503SE	5R4865	M105R3503SE	7T1799	M105R3503SE	0707328R	MS1-401A
3T4584	MS1-419A	5R4865	MS1-410A	7T1799	MS1-419A	135160	M105R3502SE
3T4586	M105R3503SE	6L6024	8LHA3096U	8C3597	M105R3503SE	135160	MS1-401A
3T4586	MS1-419A	6N1887	M105R3502SE	8C3597	MS1-419A	135161	M105R3502SE
3T5209	M105R3502SE	6N1887	MS1-401A	8C3644	MS1-403A	135161	MS1-401A
3T5209	MS1-401A	6N1889	MS1-403A	8C3645	MS1-403A	135162	M105R3502SE
3T5962	M105R2511SE	6N3122	MS1-403A	8C3647	M105R3503SE	135162	MS1-401A
3T6305	M105R3503SE	6V5207	M105R3503SE	8C3647	MS1-419A	135163	M105R3502SE
3T6305	MS1-419A	6V5207	MS1-419A	8C3649	MS1-403A	135163	MS1-401A
3 8852	M105R3503SE	6V5226	M105R3503SE	8C3650	M105R3503SE	1443674	M105R3502SE
3 8852	MS1-419A	6V5226	MS1-419A	8C3650	MS1-419A	1443674R	M105R3502SE
4N0957	MS1-403A	6V5227	M105R3503SE	8C3651	M105R3503SE	147923	M105R3502SE
4N1062	M105R3502SE	6V5227	MS1-419A	8C3651	MS1-419A	147923	MS1-401A
4N1062	MS1-401A	6V5537	M105R3503SE	8H1813	MS1-403A	173006	M105R3502SE
4N3181	M105R3503SE	6V5537	MS1-419A	8H1913	M105R3502SE	173006	MS1-401A
4N3181	MS1-419A	6V5539	M105R3502SE	8H1913	MS1-401A	173007	M105R3502SE
4N3182	M105R3503SE	6V5539	MS1-401A	8N2145	M105R3503SE	173007	MS1-401A

Cross-Reference

Original	Prestolite	Original	Prestolite	Original	Prestolite	Original	Prestolite
1912346	860318	3279220	8SC3133U	3907821	M105R3503SE	4935821	AVI136A101
197127	M105R3503SE	3281354	1327A581	3907821	MS1-410A	4944702	M93R3001SE
197127	MS1-410A	3281354R	MS4-401	3909914	860318	4948058	M93R3001SE
216849	M105R3502SE	3281634	M105R3503SE	3910369	860318	4983067	M93R3003SE
216849	MS1-401A	3281634	MS1-410A	3910566	66021507	4983068	M93R3014SE
30000347	8LHA3096U	3282431	1277A730	3910646	M105R3503SE	4983774	M93R3002SE
3000347	8LHA3096U	3282516	1277A740	3910646	MS1-410A	4992135	M93R3026SE
3011895	M105R3502SE	328356	MS4-401	3910646R	M105R3503SE	505421	860318
3011895	M105R3503SE	3283586	MS4-401	3910646R	MS1-410A	5253001	1277A740
3011895	MS1-401A	3283809	1277A700	3918377	860318	5254108	M105R3509SE
3011895	MS1-410A	3284390	1277A750	3918378	860318	5256415	M105R3509SE
3021036	M105R3502SE	3286424	M105R3503SE	3921403	M105R3503SE	5259577	860810GB
3021036	MS1-401A	3286502	M105R3503SE	3925082	M105R3503SE	5259577	AVI147S3108HD
3021036R	M105R3502SE	3286502	MS1-410A	3925082	MS1-410A	5259578	860810GB
3021036R	MS1-401A	3328552	M105R3503SE	3926932	860318	5259578	AVI147S3108HD
3056492	8LHA3096U	3328552	MS1-410A	3926932R	860318	5259579	860716
3072483	8LHA3096U	3399104	MS4-400	3926932	860318	5259579	M93R3059SE
3102767	M105R3509SE	3400698	8LHA3096U	3926933	860318	5263796	AVIC2002
3102920	M105R3502SE	3415537	MS3-504	3930845	M105R3503SE	5263830	AVE2119-E
3103305	M105R3502SE	3415609	F 276W	3930845	MS1-410A	5263841	M81R3001
3103916	M105R3502SE	3603668R	A0012800LC	3936150	M105R3503SE	5266527	M93R3003SE
3103952	M105R3502SE	3603862R	M105R3502SE	3936150	MS1-410A	5268413	M81R3001
3250000	M105R3502SE	3603862R	MS1-401A	3936332	M105R3503SE	5268413	M93R3059SE
3250000	MS1-401A	3604233R	M105R3503SE	3936332	MS1-410A	5284083	M105R3502SE
3250087	66021507	3604233R	MS1-410A	3938499	M105R3503SE	5284085	M105R3502SE
3251827	M105R3502SE	3604321R	MS1-403A	3938499	MS1-410A	5284097	AVI147S3108HD
3251827	MS1-401A	3604484R	M105R3503SE	3938502	M105R3503SE	5284108	M105R3509SE
3253138	1285600	3604484R	MS1-410A	3938502	MS1-410A	5287467	MS4-405
3253138	880642	3604667R	A0012800LC	3964745	66021507	5287988	MS4-405
3255439	858783	3604668R	A0012800LC	3965284	M105R3503SE	5319202	M81R3001
3255829	M105R3503SE	3604677P	860318	3965284R	M105R3503SE	5332605	AVI147S3108HD
3255829	MS1-419A	3604677R	860318	3972732	AVI160 2004	550117	66021507
3255868	M105R3502SE	3604685R	8LHA3096U	3972732	AVI160 2008	555241	M105R3502SE
3255868	MS1-401A	3604687R	8LHA3096U	3975134	MS3-502	555241	MS1-401A
3255945	M105R3503SE	3604784R	M105R3503SE	3975139	66021507	704007	M105R3502SE
3255945	MS1-410A	3604784R	MS1-419A	3977428	M105R3509SE	704007	MS1-401A
3255945	MS1-419A	3629351	8SC3157V	3978388	M105R3503SE	706620	M105R3502SE
3256662	1286B010	3632009	8SC3200V	4078512	M105R3502SE	706620	MS1-401A
3256662	880712B	3675103R	8LHA3096U	4078512	MS1-401A	706621	M105R3502SE
3256663	1286B510	3675104R	8LHA3096U	4078701	8LHA3096U	706621	MS1-401A
3256663	880725B	3675120R	M105R3503SE	4834604	1277A740	706622	M105R3502SE
3256759	66021507	3675120R	MS1-410A	4844738	F 275	706622	MS1-401A
325675900R	66021507	3675204R	860318	4892338	860716	706623	M105R3502SE
3256759R	66021507	3899973	M105R3502SE	4892338	M93R3059SE	706623	MS1-401A
3276269	859020	3899973	MS1-401A	4930605	MS4-404	707237	M105R3502SE
3279007	66021507	3902661	M105R3503SE	493060500	MS4-404	707328	M105R3502SE
3279169	M105R3502SE	3902661	MS1-410A	4930606	MS4-401	707328	MS1-401A
3279169	MS1-401A	3904057	860318	4934604	1277A740	707328R	M105R3502SE

Original	Prestolite	Original	Prestolite	Original	Prestolite	Original	Prestolite
CUMMINS		ST1334	MS1-401A	ST8018	MS1-401A	ST9109	MS1-410A
707328R	MS1-302A	ST1337	M105R3502SE	ST8020	M105R3502SE	ST9114	M105R3503SE
707328R	MS1-401A	ST1337	MS1-401A	ST8020	MS1-401A	ST9121	860318
707330	M105R3502SE	ST1338	M105R3502SE	ST8031	M105R3502SE	ST9132	M105R3502SE
707330R	M105R3502SE	ST1338	MS1-401A	ST8031	MS1-401A	ST9132	MS1-401A
708478	M105R3502SE	ST1340	M105R3502SE	ST8037	M105R3502SE	ST9134	M105R3503SE
708478	MS1-401A	ST1340	MS1-401A	ST8037	MS1-401A	ST9134	MS1-410A
708913	M105R3502SE	ST1351	M105R3502SE	ST8038	M105R3502SE	ST9152	M105R3503SE
708913	MS1-401A	ST1351	MS1-401A	ST8038	MS1-401A	ST9152	MS1-410A
708914	M105R3502SE	ST1353	M105R3502SE	ST8053	M105R3502SE	ST9169	M105R3503SE
708914	MS1-401A	ST1353	MS1-401A	ST8053	MS1-401A	ST9169	MS1-410A
708915	M105R3502SE	ST1357	M105R3502SE	ST8062	M105R3502SE	ST9172	M105R3503SE
708915	MS1-401A	ST1357	MS1-401A	ST8062	MS1-401A	ST9172	MS1-410A
708916	M105R3502SE	ST1363	M105R3502SE	ST8083	M105R3502SE	ST9173	860318
708916	MS1-401A	ST1363	MS1-401A	ST8083	MS1-401A	ST9185	M105R3503SE
859471PB	M105R3502SE	ST1368	M105R3502SE	ST8103	M105R3502SE	ST9185	MS1-410A
859484PB	M105R3502SE	ST1368	MS1-401A	ST8103	MS1-401A	ST9357	MS3-504
859484PB	MS1-401A	ST2001	M105R3502SE	ST8105	M105R3502SE	TM3016001	8SC3133U
859485PB	M105R3502SE	ST2001	MS1-401A	ST8105	MS1-401A	TM7505001	AVI147S3108HD
859485PB	MS1-401A	ST2005	M105R3502SE	ST8122	M105R3502SE	DAF	
859500PB	MS4-401	ST2005	MS1-401A	ST8122	MS1-401A	0365211	860509GB
859605PB	66021507	ST2008	M105R3503SE	ST8125	M105R3502SE	0365211R	860509GB
C3968130	M93R3003SE	ST2008	MS1-410A	ST8125	MS1-401A	0481501R	MS3-502
C4929600	M93R3002SE	ST2010	M105R3502SE	ST8130	M105R3502SE	0486164R	M105R3503SE
C4934622	M93R3014SE	ST2010	MS1-401A	ST8130	MS1-401A	0486164R	MS1-410A
C4944702	M93R3001SE	ST2015	M105R3502SE	ST8138	M105R3502SE	0636247R	859020
C4948058	M93R3001SE	ST2015	MS1-401A	ST8138	MS1-401A	0638263R	1286B000
C4983774	M93R3002SE	ST2018	M105R3502SE	ST8143	M105R3502SE	0894300	858783
C4992261	M93R3013SE	ST2018	MS1-401A	ST8143	MS1-401A	090671	860509GB
CCA02200	8SC3133U	ST3030	M105R3502SE	ST8153	M105R3502SE	090690	860509GB
CCA02900	1277A730	ST3030	MS1-401A	ST8153	MS1-401A	091295	860558
CCD003A	M105R3502SE	ST3035	M105R3502SE	ST9005	860318	10858441R	M105R3502SE
CCD003A	MS1-401A	ST3035	MS1-401A	ST9022	M105R3503SE	1147632	860318
CH12807	M105R3502SE	ST3038	M105R3502SE	ST9022	MS1-410A	1232608	1277A840
EE1195	8LHA3096U	ST3038	MS1-401A	ST9033	M105R3502SE	1244090	1277A700
EE1210	8LHA3096U	ST5019	M105R3502SE	ST9033	MS1-401A	1244492	860143
EE1215	8LHA3096U	ST5019	MS1-401A	ST9042	860318	1248660	1277A840
EE1220	8LHA3096U	ST5020	M105R3502SE	ST9061	M105R3503SE	1254010	1277A700
EE1232	8LHA3096U	ST5020	MS1-401A	ST9061	MS1-410A	1258700	859020
EE4028	8LHA3096U	ST7029	M105R3502SE	ST9064	M105R3503SE	126246	M93R3091SE
EE4033	8LHA3096U	ST7029	MS1-401A	ST9071	M105R3503SE	1267235	858783
EE8044	8LHA3096U	ST7038	M105R3502SE	ST9071	MS1-410A	1274480	858783
EE8071	8LHA3096U	ST7038	MS1-401A	ST9097	860318	1287890	M93R3091SE
EE8119	8LHA3096U	ST7049	M105R3502SE	ST9099	M105R3503SE	1296175	1277A760
EE8129	8LHA3096U	ST7049	MS1-401A	ST9099	MS1-410A	1298995	860558
EE9038	8LHA3096U	ST8007	M105R3502SE	ST9106	M105R3503SE	1298995	860559
EE9219	1277A730	ST8007	MS1-401A	ST9106	MS1-410A	1317220	M90R3543SE
ST1334	M105R3502SE	ST8018	M105R3502SE	ST9109	M105R3503SE	1318615	M90R3543SE

Cross-Reference

Original	Prestolite	Original	Prestolite	Original	Prestolite	Original	Prestolite
1346162	M93R3091SE	1604246	M90R3543SE	277135	859020	DELCO REM	
1350515	858783	1626130	861066GB	289183	M93R3091SE	10451047	M105R3502SE
1354776	1277A720	1626130R	861066GB	293019	860546GB	10451047	MS1-401A
1354776R	1277A720	1649066	861066GB	293019	860658	10459002	8LHA3096U
1357210	M90R3543SE	1649066R	861066GB	293020	860674GB	10459026	A0012800LC
1357211	M90R3543SE	1667205	M90R3543SE	293889	860658	10459039	A0012800LC
1357220	M90R3543SE	1667425	M90R3544SE	294813	859020	10459046	A0012800LC
1357591	858783	1688625	M90R3544SE	294830	859020	10459050	A0012800LC
1357593	860558	1688720	M90R3543SE	298386	860518GB	10459051	A0012800LC
1357593	860559	1697022	860809GB	365211	860509GB	10459052	A0012800LC
1368327	860809GB	1697022	861279GB	365211R	860509GB	10459053	A0012800LC
1368327	861279GB	1697023	860809GB	367022	860658	10459054	A0012800LC
1368327R	860809GB	1697024	860809GB	371963	859020	10459055	A0012800LC
1368327R	861279GB	1697321	860809GB	371972	858882	10459057	8LHA3096U
1377860	860809GB	1697321	861279GB	504640	M93R3091SE	10459058	8LHA3096U
1443674	M105R3502SE	1697321R	860809GB	6101535000	MS1-403A	10459082	A0012800LC
1443674R	M105R3502SE	1697321R	861279GB	613097	860143	10459088	A0012800LC
1516480	860563	1697322	860809GB	613097	860558	10459089	A0012800LC
1516480R	860563	1735788	M93R3091SE	622621	860658	10459097	8LHA3096U
1516506R	860710GBA	1739935	M90R3544SE	629949	859020	10459098	8LHA3096U
1516506R	861285	1739936	M90R3543SE	636247	859020	10459104	A0012800LC
1516512R	1277A690	1826121	M90R3544SE	636247R	859020	10459106	A0012800LC
1516515R	860807GB	1843852	M90R3544SE	636306	860504GB	10459107	A0012800LC
1516658R	860615	1876369	M90R3544SE	636306	860674GB	10459109	A0012800LC
1516687	861036	1927311	861066GB	638263R	1286B000	10459115	A0012800LC
1516687R	861036	1932592	861335	638263R	880703B	10459118	A0012800LC
1516689R	20513043	1956090	M90R3544SE	655613	1277A640	10459120	8LHA3096U
1516694	860818	1956091	M90R3564SE	679444	859020	10459124	8LHA3096U
1516694R	860818	1956091R	M90R3564SE	756343	859020	10459128	8LHA3096U
1516786	861039	1976291	861066GB	854300	858783	10459133	A0012800LC
1516786	M93R3104SE	1976292	861066GB	854300	860558	10459134	A0012800LC
1516786R	861039	1977230	860809GB	890775	860143	10459147	A0012800LC
1516786R	M93R3104SE	1977231	860809GB	890966	859020	10459151	8LHA3096U
1524009	860811GB	2015153	M90R3544SE	894300	858783	10459154	A0012800LC
1524009R	860811GB	2015154	M90R3564SE	894300	860558	10459156	A0012800LC
1524012	860804GB	2015154R	M90R3564SE	91295	860559	10459160	A0012800LC
1524012	AVI147 3110HD	2134698	M90R3544SE	AEL8419	860558	10459176	A0012800LC
1524012	AVI147 3120HD	2134699	M90R3564SE	AELB181	MS4-401	10459179	A0012800LC
1524012R	860804GB	2165365	M90R3544SE	AELB181R	MS4-401	10459186	A0012800LC
1524012R	AVI147 3110HD	2165365R	M90R3544SE	AELB630	MS4-401	10459187	A0012800LC
1524012R	AVI147 3120HD	239858	860658	AELB633	66021507	10459188	A0012800LC
1540479	861279GB	241707	860546GB	AELD077	858783	10459189	A0012800LC
1540480	860809GB	241707	860658	AMPB890	M105R3502SE	10459190	A0012800LC
1540481	860810GB	241787	860546GB	AMPB890	MS1-401A	10459191	A0012800LC
1540483	861066GB	241787	860658	STD1418	M90R3544SE	10459192	A0012800LC
1540484	M90R3543SE	241789	860658	STD1418R	M90R3544SE	10459193	A0012800LC
1540486	M90R3544SE	243482	860658	DAIMLER		10459196	8LHA3096U
1540487	M93R3091SE	266679	1277A840	TBB170132	AVI147S3108HD	10459204	A0012800LC

Original	Prestolite	Original	Prestolite	Original	Prestolite	Original	Prestolite
DELCO REM		10461128	MS1-401A	10461360	M105R3502SE	10478944	M105R3503SE
10459205	A0012800LC	10461136	M105R3503SE	10461360	MS1-401A	10478944	MS1-410A
10459207	8LHA3096U	10461136	MS1-410A	10461361	M105R3503SE	10478946	M105R3502SE
10459211	A0012800LC	10461141	M105R3502SE	10461361	MS1-410A	10478946	MS1-401A
10459212	A0012800LC	10461141	MS1-401A	10461397	M105R3503SE	10478947	M105R3503SE
10459215	A0012800LC	10461142	M105R3503SE	10461397	MS1-410A	10478947	MS1-410A
10459216	A0012800LC	10461142	MS1-410A	10461410	M105R3502SE	10478952	M105R3502SE
10459217	A0012800LC	10461152	M105R2511SE	10461410	MS1-401A	10478952	MS1-401A
10459237	8LHA3096U	10461179	M105R3502SE	10461413	M105R3503SE	10478953	M105R2511SE
10459251	8LHA3096U	10461179	MS1-401A	10461413	MS1-410A	10478957	M105R2511SE
10459254	A0012800LC	10461184	M105R3502SE	10461416	M105R2511SE	10478970	M105R2511SE
10459255	A0012800LC	10461184	MS1-401A	10461468	860318	10478979	M105R3502SE
10459261	8LHA3096U	10461197	M105R2511SE	10461470	860321	10478979	MS1-401A
10459262	8LHA3096U	10461205	M105R2511SE	10461470	M93R3066SE	10478980	M105R3502SE
10459336	A0012800LC	10461207	M105R2511SE	10461486	860318	10478980	MS1-401A
10459457	A0012800LC	10461209	M105R2511SE	10461533	M105R3503SE	10478988	M105R3502SE
10459461	8LHA3096U	10461210	M105R2511SE	10461533	MS1-410A	10478988	MS1-401A
10459468	8LHA3096U	10461220	M105R2511SE	10461754	M105R3502SE	10478989	M105R3503SE
10461002	M105R2511SE	10461225	M105R2511SE	10461759	M105R3503SE	10478989	MS1-410A
10461003	M105R2511SE	10461235	8LHA3096U	10461764	M105R2511SE	10478990	M105R3502SE
10461024	M105R3502SE	10461238	8LHA3096U	10461768	M105R2511SE	10478990	MS1-401A
10461024	MS1-401A	10461242	M105R3503SE	10465400	860318	10478995	M105R3503SE
10461025	M105R3503SE	10461242	MS1-410A	1046640	860318	10478995	MS1-410A
10461025	MS1-410A	10461259	M105R3502SE	10478806	M105R2511SE	10478996	M105R3502SE
1046103	M105R2511SE	10461259	MS1-401A	10478817	M105R3503SE	10478996	MS1-401A
10461030	M105R3502SE	10461282	M105R2511SE	10478831	M105R2511SE	10478998	M105R3502SE
10461030	MS1-401A	10461283	860318	10478837	M105R3502SE	10478998	MS1-401A
10461031	M105R3503SE	10461296	M105R2511SE	10478837	MS1-401A	10479009	M105R3503SE
10461031	MS1-410A	10461298	M105R2511SE	10478893	M105R3502SE	10479009	MS1-410A
10461039	M105R2511SE	10461334	M105R3502SE	10478893	MS1-401A	10479010	M105R3502SE
10461043	M105R3502SE	10461338	M105R3503SE	10478898	M105R3502SE	10479010	MS1-401A
10461043	MS1-401A	10461338	MS1-410A	10478928	M105R2511SE	10479011	M105R3503SE
10461047	M105R3502SE	10461339	M105R3503SE	10478929	M105R2511SE	10479011	MS1-410A
10461047	MS1-401A	10461339	MS1-410A	10478930	M105R2511SE	10479015	M105R2511SE
10461054	M105R3502SE	10461341	M105R3503SE	10478937	M105R3502SE	10479016	M105R2511SE
10461054	MS1-401A	10461341	MS1-410A	10478937	MS1-401A	10479022	M105R3502SE
10461068	M105R3502SE	10461345	M105R3503SE	10478938	M105R3502SE	10479022	MS1-401A
10461068	MS1-401A	10461345	MS1-410A	10478938	MS1-401A	10479036	M105R2511SE
10461080	M105R3502SE	10461350	M105R3502SE	10478939	M105R3503SE	10479047	M105R2511SE
10461080	MS1-401A	10461350	MS1-401A	10478939	MS1-410A	10479053	M105R3503SE
10461081	M105R2511SE	10461353	M105R3502SE	10478940	M105R3503SE	10479053	MS1-410A
10461082	M105R2511SE	10461353	MS1-401A	10478940	MS1-410A	10479067	M105R3502SE
10461094	M105R2511SE	10461357	M105R3503SE	10478941	M105R3503SE	10479067	MS1-401A
10461098	M105R2511SE	10461357	MS1-410A	10478941	MS1-410A	10479068	M105R2511SE
10461107	M105R3503SE	10461358	M105R3503SE	10478942	M105R3503SE	10479069	M105R2511SE
10461107	MS1-410A	10461358	MS1-410A	10478942	MS1-410A	10479100	M105R3503SE
10461110	M105R2511SE	10461359	M105R3502SE	10478943	M105R3502SE	10479100	MS1-410A
10461128	M105R3502SE	10461359	MS1-401A	10478943	MS1-401A	10479107	M105R2511SE

Cross-Reference

Original	Prestolite	Original	Prestolite	Original	Prestolite	Original	Prestolite
10479111	M105R3502SE	10479622	860318	1113640	M105R2511SE	1113800	MS1-401A
10479111	MS1-401A	10479626	860321	1113641	M105R2511SE	1113809	M105R3502SE
10479114	M105R3502SE	10479626	M93R3066SE	1113644	M105R2511SE	1113809	MS1-401A
10479114	MS1-401A	10479627	861036	1113650	M105R2511SE	1113813	M105R3502SE
10479115	M105R3503SE	10479647	MS4-400	1113651	M105R2511SE	1113813	MS1-401A
10479115	MS1-410A	10479650	860321	1113652	M105R2511SE	1113814	M105R3502SE
10479118	M105R3503SE	10479650	M93R3066SE	1113653	M105R2511SE	1113814	MS1-401A
10479118	MS1-410A	10479652	861036	1113656	M105R2511SE	1113815	M105R3502SE
10479119	M105R3502SE	10479656	860318	1113668	M105R2511SE	1113815	MS1-401A
10479120	M105R3503SE	10496884	860318	1113672	M105R2511SE	1113817	M105R3502SE
10479120	MS1-410A	10532961	861311	1113676	M105R2511SE	1113817	MS1-401A
10479121	M105R3503SE	1105367	860560	1113683	M105R2511SE	1113818	M105R3502SE
10479121	MS1-410A	1106867	8LHA3096U	1113690	M105R2511SE	1113818	MS1-401A
10479130	M105R3502SE	1106868	8LHA3096U	1113706	M105R3502SE	1113820	M105R3502SE
10479130	MS1-401A	1108857	M105R3502SE	1113706	MS1-401A	1113820	MS1-401A
10479136	M105R3503SE	1108857	MS1-401A	1113707	M105R3502SE	1113823	M105R3502SE
10479136	MS1-410A	1108872	M105R3502SE	1113707	MS1-401A	1113823	MS1-401A
10479142	M105R3502SE	1108872	MS1-401A	1113708	M105R3502SE	1113824	M105R3502SE
10479142	MS1-401A	1109861	M105R3502SE	1113708	MS1-401A	1113824	MS1-401A
10479149	M105R3502SE	1109861	MS1-401A	1113709	M105R3502SE	1113825	M105R3502SE
10479149	MS1-401A	1109863	M105R3502SE	1113709	MS1-401A	1113825	MS1-401A
10479164	M105R3502SE	1109863	MS1-401A	1113710	M105R3502SE	1113827	M105R3503SE
10479164	MS1-401A	1111845	M105R3502SE	1113710	MS1-401A	1113827	MS1-410A
10479168	M105R3502SE	1111845	MS1-401A	1113713	M105R3502SE	1113828	M105R3502SE
10479168	MS1-401A	1113102	M105R2511SE	1113713	MS1-401A	1113828	MS1-401A
10479169	M105R2511SE	1113139	M105R2511SE	1113717	M105R3502SE	1113831	M105R3502SE
10479178	M105R3503SE	1113164	M105R2511SE	1113717	MS1-401A	1113831	MS1-401A
10479178	MS1-410A	1113193	M105R2511SE	1113737	M105R3502SE	1113834	M105R3502SE
10479195	M105R2511SE	1113203	M105R2511SE	1113737	MS1-401A	1113834	MS1-401A
10479211	M105R3502SE	1113215	M105R2511SE	1113738	M105R3502SE	1113835	M105R3502SE
10479211	MS1-401A	1113232	M105R2511SE	1113738	MS1-401A	1113835	MS1-401A
10479216	M105R2511SE	1113277	860318	1113741	M105R3502SE	1113836	M105R3502SE
10479221	M105R3503SE	1113291	860318	1113741	MS1-401A	1113836	MS1-401A
10479226	M105R2511SE	1113391	M105R2511SE	1113745	M105R3502SE	1113840	M105R3503SE
10479238	M105R3503SE	1113402	M105R2511SE	1113745	MS1-401A	1113840	MS1-410A
10479238	MS1-410A	1113420	M105R2511SE	1113748	M105R3502SE	1113842	M105R3502SE
10479252	M105R3502SE	1113421	M105R2511SE	1113748	MS1-401A	1113842	MS1-401A
10479264	M105R3503SE	1113425	M105R2511SE	1113749	M105R3502SE	1113844	M105R3502SE
10479264	MS1-410A	1113428	M105R2511SE	1113749	MS1-401A	1113844	MS1-401A
10479275	M105R3503SE	1113431	M105R2511SE	1113778	M105R3502SE	1113845	M105R3502SE
10479290	M105R3502SE	1113436	M105R2511SE	1113778	MS1-401A	1113845	MS1-401A
10479290	MS1-401A	1113441	M105R2511SE	1113781	M105R3502SE	1113846	M105R3502SE
10479302	M105R3503SE	1113473	M105R2511SE	1113781	MS1-401A	1113846	MS1-401A
10479305	M105R2511SE	1113488	M105R2511SE	1113783	M105R3502SE	1113847	M105R3502SE
10479310	M105R3503SE	1113498	M105R2511SE	1113783	MS1-401A	1113847	MS1-401A
10479363	M105R3503SE	1113499	M105R2511SE	1113793	M105R3502SE	1113849	M105R3502SE
10479605	860318	1113594	860318	1113793	MS1-401A	1113849	MS1-401A
10479616	860318	1113626	M105R2511SE	1113800	M105R3502SE	1113850	M105R3502SE

Original	Prestolite	Original	Prestolite	Original	Prestolite	Original	Prestolite
DELCO REM		1113894	M105R3502SE	1113926	M105R3502SE	1113966	M105R3502SE
1113850	MS1-401A	1113894	MS1-401A	1113926	MS1-401A	1113966	MS1-401A
1113851	M105R3502SE	1113895	M105R3502SE	1113928	M105R3503SE	1113967	M105R3503SE
1113851	MS1-401A	1113895	MS1-401A	1113928	MS1-410A	1113967	MS1-410A
1113853	M105R3502SE	1113898	M105R3502SE	1113929	M105R3502SE	1113968	M105R3502SE
1113853	M105R3503SE	1113898	MS1-401A	1113929	MS1-401A	1113968	MS1-401A
1113853	MS1-401A	1113899	M105R3502SE	1113930	M105R3503SE	1113969	M105R3503SE
1113853	MS1-410A	1113899	MS1-401A	1113930	MS1-410A	1113969	MS1-410A
1113855	M105R3502SE	1113900	M105R3502SE	1113934	M105R3503SE	1113970	M105R3502SE
1113855	MS1-401A	1113900	MS1-401A	1113934	MS1-410A	1113970	MS1-401A
1113858	M105R3502SE	1113901	M105R3502SE	1113935	M105R3502SE	1113971	M105R3502SE
1113858	MS1-401A	1113901	M105R3503SE	1113935	MS1-401A	1113971	MS1-401A
1113859	M105R3502SE	1113901	MS1-401A	1113942	M105R3503SE	1113972	M105R3502SE
1113859	MS1-401A	1113901	MS1-410A	1113942	MS1-410A	1113972	MS1-401A
1113860	M105R3502SE	1113902	M105R3502SE	1113943	M105R3503SE	1113973	M105R3502SE
1113860	MS1-401A	1113902	MS1-401A	1113943	MS1-410A	1113973	MS1-401A
1113861	M105R3502SE	1113903	M105R3502SE	1113944	M105R3502SE	1113975	M105R3502SE
1113861	MS1-401A	1113903	MS4-401	1113944	MS1-401A	1113975	MS1-401A
1113862	M105R3502SE	1113905	M105R3502SE	1113945	M105R3502SE	1113976	M105R3502SE
1113862	MS1-401A	1113905	MS1-401A	1113945	MS1-401A	1113976	MS1-401A
1113866	M105R3502SE	1113906	M105R3502SE	1113948	M105R3502SE	1113977	M105R3502SE
1113866	MS1-401A	1113906	MS1-401A	1113948	MS1-401A	1113977	MS1-401A
1113868	M105R3502SE	1113908	M105R3502SE	1113950	M105R3503SE	1113978	M105R3502SE
1113868	MS1-401A	1113908	MS1-401A	1113950	MS1-410A	1113978	MS1-401A
1113872	M105R3502SE	1113911	M105R3502SE	1113951	M105R3502SE	1113979	M105R3502SE
1113872	MS1-401A	1113911	MS1-401A	1113951	M105R3503SE	1113979	MS1-401A
1113876	M105R3502SE	1113912	M105R3502SE	1113951	MS1-401A	1113980	M105R3502SE
1113876	MS1-401A	1113912	MS1-401A	1113951	MS1-410A	1113980	MS1-401A
1113877	M105R3502SE	1113913	M105R3502SE	1113952	M105R3502SE	1113981	M105R3502SE
1113877	MS1-401A	1113913	MS1-401A	1113952	MS1-401A	1113981	MS1-401A
1113878	M105R3502SE	1113914	M105R3502SE	1113954	M105R3502SE	1113982	M105R3503SE
1113878	MS1-401A	1113914	MS1-401A	1113954	MS1-401A	1113982	MS1-410A
1113880	M105R3502SE	1113915	M105R3502SE	1113955	M105R3502SE	1113983	M105R3502SE
1113880	MS1-401A	1113915	MS1-401A	1113955	MS1-401A	1113983	MS1-401A
1113883	M105R3502SE	1113916	M105R3502SE	1113956	M105R3502SE	1113989	M105R3503SE
1113883	MS1-401A	1113916	MS1-401A	1113956	MS1-401A	1113989	MS1-410A
1113884	M105R3502SE	1113919	M105R3502SE	1113957	M105R3502SE	1113990	M105R3502SE
1113884	MS1-401A	1113919	M105R3503SE	1113957	MS1-401A	1113990	M105R3503SE
1113885	M105R3502SE	1113919	MS1-401A	1113958	M105R3502SE	1113990	MS1-401A
1113885	MS1-401A	1113919	MS1-410A	1113958	MS1-401A	1113990	MS1-410A
1113887	M105R3502SE	1113920	M105R3502SE	1113959	M105R3503SE	1113991	M105R3502SE
1113887	MS1-401A	1113920	MS1-401A	1113959	MS1-410A	1113991	MS1-401A
1113890	M105R3502SE	1113923	M105R3503SE	1113960	M105R3503SE	1113992	M105R3503SE
1113890	MS1-401A	1113923	MS1-410A	1113960	MS1-410A	1113992	MS1-410A
1113892	M105R3502SE	1113924	M105R3502SE	1113962	M105R3503SE	1113993	M105R3503SE
1113892	MS1-401A	1113924	MS1-401A	1113962	MS1-410A	1113993	MS1-410A
1113893	M105R3502SE	1113925	M105R3502SE	1113965	M105R3502SE	1113994	M105R3502SE
1113893	MS1-401A	1113925	MS1-401A	1113965	MS1-401A	1113994	MS1-401A

Original	Prestolite	Original	Prestolite	Original	Prestolite	Original	Prestolite
1113995	M105R3502SE	1114727	M105R3502SE	1114844	M105R3502SE	1114873	M105R3502SE
1113995	MS1-401A	1114727	MS1-401A	1114844	MS1-401A	1114873	MS1-401A
1113997	M105R3502SE	1114728	M105R3502SE	1114845	M105R3503SE	1114874	M105R3502SE
1113997	MS1-401A	1114728	MS1-401A	1114845	MS1-410A	1114874	MS1-401A
1113998	M105R3503SE	1114729	M105R3503SE	1114846	M105R3502SE	1114875	M105R3502SE
1113998	MS1-410A	1114729	MS1-410A	1114846	MS1-401A	1114875	MS1-401A
1113999	M105R3502SE	1114730	M105R3502SE	1114847	M105R3502SE	1114878	M105R3502SE
1113999	MS1-401A	1114730	MS1-401A	1114847	MS1-401A	1114878	MS1-401A
1114002	M105R3502SE	1114735	M105R3503SE	1114848	M105R3502SE	1114879	M105R3502SE
1114002	MS1-401A	1114735	MS1-410A	1114848	MS1-401A	1114879	MS1-401A
1114012	M105R3502SE	1114737	M105R3502SE	1114849	M105R3502SE	1114880	M105R3502SE
1114012	MS1-401A	1114737	MS1-401A	1114849	MS1-401A	1114880	MS1-401A
1114022	M105R3502SE	1114738	M105R3502SE	1114850	M105R3502SE	1114903	M105R3502SE
1114022	MS1-401A	1114738	M105R3503SE	1114850	MS1-401A	1114903	MS1-401A
1114025	M105R3502SE	1114738	MS1-401A	1114851	M105R3502SE	1114905	M105R3503SE
1114025	MS1-401A	1114738	MS1-410A	1114851	MS1-401A	1114905	MS1-410A
1114046	M105R3502SE	1114740	M105R3503SE	1114852	M105R3502SE	1114907	M105R3502SE
1114046	MS1-401A	1114740	MS1-410A	1114852	MS1-401A	1114907	MS1-401A
1114051	M105R3502SE	1114742	M105R3503SE	1114854	M105R3502SE	1114909	M105R3502SE
1114051	MS1-401A	1114742	MS1-410A	1114854	MS1-401A	1114909	MS1-401A
1114054	M105R3502SE	1114755	M105R3502SE	1114855	M105R3502SE	1114910	M105R3503SE
1114054	MS1-401A	1114755	MS1-401A	1114855	MS1-401A	1114910	MS1-410A
1114067	M105R3502SE	1114756	M105R3502SE	1114856	M105R3503SE	1114914	M105R3503SE
1114067	MS1-401A	1114756	MS1-401A	1114856	MS1-410A	1114914	MS1-410A
1114073	M105R3502SE	1114759	M105R3502SE	1114857	M105R3503SE	1114915	M105R3502SE
1114073	MS1-401A	1114759	M105R3503SE	1114857	MS1-410A	1114915	MS1-401A
1114091	M105R3502SE	1114759	MS1-401A	1114858	M105R3503SE	1114916	M105R3502SE
1114091	MS1-401A	1114759	MS1-410A	1114858	MS1-410A	1114916	MS1-401A
1114099	M105R3502SE	1114760	M105R3502SE	1114859	M105R3503SE	1114917	M105R3503SE
1114099	MS1-401A	1114760	MS1-401A	1114859	MS1-410A	1114917	MS1-410A
1114102	M105R3502SE	1114762	M105R3502SE	1114860	M105R3503SE	1114923	M105R3502SE
1114102	MS1-401A	1114762	MS1-401A	1114860	MS1-410A	1114923	MS1-401A
11141138	M105R3502SE	1114763	M105R3502SE	1114861	M105R3503SE	1114926	M105R3502SE
11141138	MS1-401A	1114763	MS1-401A	1114861	MS1-410A	1114926	MS1-401A
1114706	M105R3503SE	1114767	M105R3503SE	1114862	M105R3503SE	1114935	M105R3502SE
1114706	MS1-410A	1114767	MS1-410A	1114862	MS1-410A	1114935	MS1-401A
1114707	M105R3502SE	1114772	M105R3503SE	1114863	M105R3503SE	1114945	M105R3503SE
1114707	MS1-401A	1114772	MS1-410A	1114863	MS1-410A	1114945	MS1-410A
1114710	M105R3502SE	1114790	M105R3502SE	1114864	M105R3503SE	1114947	M105R3502SE
1114710	MS1-401A	1114790	MS1-401A	1114864	MS1-410A	1114947	MS1-401A
1114711	M105R3503SE	1114793	M105R3503SE	1114866	M105R3502SE	1114949	M105R3503SE
1114711	MS1-410A	1114793	MS1-410A	1114866	MS1-401A	1114949	MS1-410A
1114712	M105R3503SE	1114805	M105R3503SE	1114867	M105R3502SE	1114950	M105R3502SE
1114712	MS1-410A	1114805	MS1-410A	1114867	MS1-401A	1114950	MS1-401A
1114715	M105R3502SE	1114842	M105R3502SE	1114868	M105R3502SE	1114951	M105R3502SE
1114715	MS1-401A	1114842	MS1-401A	1114868	MS1-401A	1114951	MS1-401A
1114719	M105R3502SE	1114843	M105R3503SE	1114872	M105R3503SE	1114953	M105R3503SE
1114719	MS1-401A	1114843	MS1-410A	1114872	MS1-410A	1114953	MS1-410A

Original	Prestolite	Original	Prestolite	Original	Prestolite	Original	Prestolite
DELCO REM		1117836	8LHA3096U	11680071SAG	860508GB	11700025	M105R3503SE
1114958	M105R3502SE	1117838	8LHA3096U	11690015	860516GB	11700025	MS1-410A
1114958	MS1-401A	1117899	A0012800LC	11690036	860509GB	11700027	M105R3502SE
1114962	M105R3502SE	1117900	8LHA3096U	11690043	860658	11700027	MS1-401A
1114962	MS1-401A	1117916	A0012800LC	11690045	860507GB	11700030	M105R3502SE
1114963	M105R3502SE	1117917	A0012800LC	11690048	860660GB	11700030	MS1-401A
1114963	MS1-401A	1117919	A0012800LC	11690049	860504GB	11700031	M105R3503SE
1114964	M105R3502SE	1117920	A0012800LC	11690081	860508GB	11700031	MS1-410A
1114964	MS1-401A	1117921	A0012800LC	11700001	M105R3502SE	11700032	M105R3502SE
1114968	M105R3503SE	1117922	A0012800LC	11700001	MS1-401A	11700032	MS1-401A
1114968	MS1-410A	1117926	A0012800LC	11700002	M105R3503SE	11700033	M105R3502SE
1114970	M105R3502SE	1117929	A0012800LC	11700002	MS1-410A	11700033	MS1-401A
1114970	MS1-401A	1117933	A0012800LC	11700003	M105R3503SE	11700034	M105R3503SE
1114971	M105R3502SE	1117934	A0012800LC	11700003	MS1-410A	11700034	MS1-410A
1114971	MS1-401A	1117936	A0012800LC	11700005	M105R3503SE	11700035	M105R3503SE
1114979	M105R3502SE	1117938	A0012800LC	11700005	MS1-410A	11700035	MS1-410A
1114979	MS1-401A	1117945	A0012800LC	11700006	M105R3503SE	11700036	M105R3503SE
1114980	M105R3502SE	1117948	A0012800LC	11700006	MS1-410A	11700036	MS1-410A
1114980	M105R3503SE	1117952	A0012800LC	11700007	M105R3503SE	11700039	M105R3502SE
1114980	MS1-401A	1117964	A0012800LC	11700007	MS1-410A	11700039	MS1-401A
1114980	MS1-410A	11220011	M105R2511SE	11700008	M105R3503SE	11700041	M105R3502SE
1114987	M105R3502SE	11220016	M105R2511SE	11700008	MS1-410A	11700043	M105R3503SE
1114987	MS1-401A	11300002	860321	11700009	M105R3503SE	11700043	MS1-410A
1114989	M105R3503SE	11300002	M93R3066SE	11700009	MS1-410A	11700045	M105R3503SE
1114989	MS1-410A	11300003	860318	11700010	M105R3502SE	11700045	MS1-410A
1117060	8LHA3096U	11300004	860318	11700010	MS1-401A	11700049	M105R3502SE
1117071	8LHA3096U	11300010	860318	11700011	M105R3503SE	11700049	MS1-401A
1117072	8LHA3096U	11410032	860657GB	11700011	MS1-410A	11700050	M105R3503SE
1117075	8LHA3096U	11670002	860508GB	11700013	M105R3502SE	11700050	MS1-410A
1117080	8LHA3096U	11670002DR	860508GB	11700013	MS1-401A	11700051	M105R3502SE
1117095	8LHA3096U	11670004	860504GB	11700014	M105R3503SE	11700051	MS1-401A
1117096	8LHA3096U	11670005	860660GB	11700014	MS1-410A	11700052	M105R3503SE
1117734	8LHA3096U	11670006	860504GB	11700015	M105R3503SE	11700052	MS1-410A
1117746	8LHA3096U	11670007	860657GB	11700015	MS1-410A	11700053	M105R3503SE
1117772	8LHA3096U	11670008	860653	11700016	M105R3503SE	11700053	MS1-410A
1117774	8LHA3096U	11670022	860504GB	11700016	MS1-410A	11700054	M105R3503SE
1117784	8LHA3096U	11670036	860500GB	11700018	M105R3503SE	11700054	MS1-410A
1117785	8LHA3096U	11670037	860546GB	11700018	MS1-410A	11700059	M105R3503SE
1117786	8LHA3096U	11670041	860658	11700019	M105R3503SE	11700059	MS1-410A
1117805	8LHA3096U	11670042	860660GB	11700019	MS1-410A	11700060	M105R3502SE
1117817	8LHA3096U	11670042SAG	860660GB	11700021	M105R3503SE	11700060	MS1-401A
1117820	8LHA3096U	11670069	860516GB	11700021	MS1-410A	11700061	M105R3502SE
1117821	8LHA3096U	11680009	860674GB	11700022	M105R3503SE	11700062	M105R3502SE
1117826	8LHA3096U	11680013	860653	11700022	MS1-410A	11700062	MS1-401A
1117828	8LHA3096U	11680014	860657GB	11700023	M105R3502SE	11700064	M105R3502SE
1117830	8LHA3096U	11680050	860512GB	11700023	MS1-401A	11700064	MS1-401A
1117831	8LHA3096U	11680053	860509GB	11700024	M105R3502SE	11700065	M105R3502SE
1117834	8LHA3096U	11680071	860508GB	11700024	MS1-401A	11700065	MS1-401A

Original	Prestolite	Original	Prestolite	Original	Prestolite	Original	Prestolite
11700070	M105R3503SE	13950001	1277A640	19011522	M105R3502SE	19024101	860657GB
11700070	MS1-410A	13950002	1277A700	19011524	M105R3509SE	19024102	860653
11700076	M105R3502SE	13950004	1277A720	19011527	M105R3502SE	19024104	860512GB
11700076	MS1-401A	13950007	1277A650	19011531	M105R3502SE	19024107	860507GB
11700082	M105R3502SE	13950011	860340	19020300	A0012800LC	19024121	860545GB
11700082	MS1-401A	1571	860516GB	19020302	A0012800LC	19024124	860545GB
11700084	M105R3503SE	19010110	A0012800LC	19020303	A0012800LC	19024136	860667GB
11700084	MS1-410A	19010111	8LHA3096U	19020304	A0012800LC	19024148	M105R3503SE
11700085	M105R3503SE	19010122	A0012800LC	19020305	A0012800LC	19024148	MS1-410A
11700085	MS1-410A	19010123	A0012800LC	19020306	A0012800LC	19024149	860660GB
11700089	M105R3503SE	19010125	A0012800LC	19020307	8LHA3096U	19024150	860653
11700089	MS1-410A	19010126	A0012800LC	19020308	A0012800LC	19024159	860546GB
11700095	M105R3502SE	19010127	A0012800LC	19020309	A0012800LC	19024170	860657GB
11700095	MS1-401A	19010128	A0012800LC	19020310	A0012800LC	19024179	860615
11700096	M105R3502SE	19010130	A0012800LC	19020312	A0012800LC	19024180	860511GB
11700096	MS1-401A	19010131	A0012800LC	19020366	8LHA3096U	19024190	M90R3543SE
11700097	M105R3503SE	19010138	A0012800LC	19020382	8LHA3096U	19024194	860508GB
11700097	MS1-410A	19010139	A0012800LC	19020383	8LHA3096U	19024196	M105R3031SE
11700098	M105R3502SE	19010140	A0012800LC	19024010	860508GB	19024197	860508GB
11700098	MS1-401A	19010142	A0012800LC	19024013	860500GB	19024204	861036
11700101	M105R3503SE	19010149	A0012800LC	19024015	860504GB	19024232	860817
11700101	MS1-410A	19010152	A0012800LC	19024016	860504GB	19024233	857472GB
11720001	M105R3503SE	19010156	A0012800LC	19024018	860516GB	19024239	20500534
11720007	M105R3503SE	19010168	A0012800LC	19024023	860653	19024246	861039
11720008	M105R3503SE	19010174	A0012800LC	19024024	860660GB	19024246	M93R3104SE
11740006	860305	19010175	A0012800LC	19024025	860508GB	19024249	20500534
11740051	860615	19010176	A0012800LC	19024027	860657GB	19024256	860817
11740055	M105R3031SE	19010179	A0012800LC	19024036	860674GB	19024258	861036
11740056	M105R3031SE	19010180	A0012800LC	19024039	860658	19024259	20500673
11770001	860506GB	19010182	8LHA3096U	19024040	860658	19024264	861037
11770005	860667GB	19010183	A0012800LC	19024046	860516GB	19024274	857472GB
11770007	860545GB	19010184	A0012800LC	19024047	860518GB	19024280	861039
11770015	860667GB	19010185	8LHA3096U	19024048	860512GB	19024280	M93R3104SE
11770028	860545GB	19010189	A0012800LC	19024049	860509GB	19024286	860818
11770037	860548GB	19010192	A0012800LC	19024051	860506GB	19024288	861038
11770083	860505GB	19010195	8LHA3096U	19024053	860545GB	19024553	860500GB
11780007	860507GB	19010200	8LHA3096U	19024054	860545GB	19024554	860657GB
11780015	860547GB	19010202	A0012800LC	19024061	860667GB	19024813	M93R3004SE
11780062	860511GB	19010206	A0012800LC	19024066	860547GB	19025069	20100719
11790022	860657GB	19011175	8LHA3096U	19024070	860667GB	19025070	20100719
11790070	860511GB	19011203	8LHA3096U	19024071	860667GB	19025074	858884
11790073	860545GB	19011210	BLP3312	19024076	860505GB	19025097	858882
11790077	860615	19011404	M105R2511SE	19024077	860548GB	19025100	860558
13250001	860560	19011407	M105R2511SE	19024078	860515GB	19025100	860559
13250011	858882	19011501	M105R3031SE	19024079	860544GB	19025101	860560
13250031	860562	19011507	M105R3502SE	19024080	860507GB	19025102	858882
13250061	860558	19011509	M105R3502SE	19024085	860511GB	19025103	858884
13250071	860563	19011511	M105R3509SE	19024099	860504GB	19025103	860562

Original	Prestolite	Original	Prestolite	Original	Prestolite	Original	Prestolite
DELCO REM		19070012	860807GB	1990268	MS1-401A	1990384	MS1-401A
19025104	66021507	19070014	860807GB	1990279	M105R3502SE	1990388	M105R3502SE
19025107	860558	19070015	860807GB	1990279	MS1-401A	1990388	MS1-401A
19025109	860563	19070016	860807GB	1990282	M105R3502SE	1990390	M105R3502SE
19025110	860563	19070018	860809GB	1990282	MS1-401A	1990390	MS1-401A
19025111	860563	19070019	860807GB	1990283	M105R3502SE	1990402	M105R3503SE
19025112	860563	19070022	860807GB	1990283	M105R3503SE	1990402	MS1-410A
19025113	860559	19070030	860615	1990283	MS1-401A	1990409	M105R3502SE
19025114	860557	19070031	M90R3543SE	1990283	MS1-410A	1990409	MS1-401A
19025116	860557	19070033	M105R3031SE	1990297	M105R3503SE	1990410	M105R3502SE
19025300	861309	19070034	M105R3031SE	1990297	MS1-410A	1990410	MS1-401A
19025304	861309	19070037	860305	1990308	M105R2511SE	1990411	M105R3502SE
19025310	1277A700	19070039	860321	1990309	M105R2511SE	1990411	MS1-401A
19025312	1277A700	19070039	M93R3066SE	1990312	M105R2511SE	1990412	M105R3502SE
19025314	1277A700	19070042	860615	1990315	M105R2511SE	1990412	M105R3503SE
19025315	1277A720	19070049	860551	1990318	M105R2511SE	1990412	MS1-401A
19025316	1277A700	19070056	860558	1990324	M105R3503SE	1990412	MS1-410A
19025318	1277A700	19070057	860551	1990324	MS1-410A	1990413	M105R3503SE
19025330	1277A640	19070058	860559	1990326	M105R2511SE	1990413	MS1-410A
19025331	1277A640	19070059	860562	1990343	M105R3503SE	1990414	M105R3502SE
19025331	1277A700	19070065	860561	1990343	MS1-410A	1990414	M105R3503SE
19025332	1277A700	19070070	860563	1990344	M105R3502SE	1990414	MS1-401A
19025333	1277A690	19081009	M105R3031SE	1990344	MS1-401A	1990414	MS1-410A
19025333	1277A720	19081016	M90R3548SE	1990357	M105R3503SE	1990416	M105R3502SE
19025334	1277A640	19081019	M90R3548SE	1990357	MS1-410A	1990416	MS1-401A
19025335	1277A670	19081028	M105R3502SE	1990359	M105R3503SE	1990418	M105R3502SE
19025336	1277A650	19081028	MS1-401A	1990359	MS1-410A	1990418	MS1-401A
19025337	1277A680	19081034	M85R3003SE	1990360	M105R3503SE	1990422	M105R3502SE
19025339	860340	19082009	860516GB	1990360	MS1-410A	1990422	MS1-401A
19025340	861338	19082020	860516GB	1990361	M105R3502SE	1990432	M105R3503SE
19025347	861309	19084003	M90R3545SE	1990361	MS1-401A	1990432	MS1-410A
19025352	1277A720	19084006	860321	1990364	M105R3503SE	1990434	M105R3502SE
19025353	1277A720	19084006	M93R3066SE	1990364	MS1-410A	1990434	MS1-401A
19025360	1277A640	19084018	M90R3545SE	1990366	M105R3503SE	1990437	M105R3502SE
19025361	1277A700	19084255	M90R3564SE	1990366	MS1-410A	1990437	MS1-401A
19025363	1277A720	19085004	20540102	1990367	M105R3502SE	1990453	M105R3503SE
19025366	1277A650	19091006	861344	1990367	MS1-401A	1990453	MS1-410A
19025369	860340	19091007	861298	1990368	M105R3502SE	1990454	M105R3502SE
19025531	1277A680	19092004	860810GB	1990368	MS1-401A	1990454	MS1-401A
19025531	1277A700	19092004	AV1147S3108HD	1990373	M105R3503SE	1990455	M105R3503SE
19026026	M105R3503SE	19092006	860804GB	1990373	MS1-410A	1990455	MS1-410A
19026027	M105R2511SE	1990202	M105R3502SE	1990378	M105R3502SE	1990456	M105R3502SE
19026030	M105R3503SE	1990202	MS1-401A	1990378	MS1-401A	1990456	MS1-401A
19070007	860807GB	1990204	M105R3502SE	1990382	M105R3502SE	1990459	M105R3502SE
19070008	860807GB	1990204	M105R3503SE	1990382	MS1-401A	1990459	MS1-401A
19070009	860807GB	1990204	MS1-401A	1990383	M105R3502SE	1990460	M105R3502SE
19070010	860809GB	1990204	MS1-410A	1990383	MS1-401A	1990460	MS1-401A
19070011	860808GB	1990268	M105R3502SE	1990384	M105R3502SE	1990461	M105R3502SE

Cross-Reference

Original	Prestolite	Original	Prestolite	Original	Prestolite	Original	Prestolite
1990461	MS1-401A	1993804	M105R3503SE	1993988	M105R2511SE	8300021	M105R2511SE
1990462	M105R3502SE	1993804	MS1-410A	1993993	M105R3503SE	8300063	M105R2511SE
1990462	MS1-401A	1993805	M105R3502SE	1993993	MS1-410A	8600094	A0014949PA
1990463	M105R3502SE	1993805	MS1-401A	1993994	M105R2511SE	8600223	AVI160 2004
1990463	MS1-401A	1993808	M105R3503SE	1993995	M105R3503SE	8600223	AVI160 2008
1990464	M105R3502SE	1993808	MS1-410A	1993998	M105R3502SE	8600280	A0014867 B
1990464	MS1-401A	1993810	M105R3502SE	1993998	MS1-401A	8600298	A0014962PA
1990474	M105R3503SE	1993810	MS1-401A	1998459	860318	8600307	AVI160 2004
1990474	MS1-410A	1993814	M105R3503SE	30010VL	860809GB	8600307	AVI160 2008
1990482	M105R3502SE	1993814	MS1-410A	30012VL	860810GB	8600308	AVI160 2004
1990482	MS1-401A	1993815	M105R3503SE	30012VL	AVI147S3108HD	8600308	AVI160 2008
1990485	M105R3502SE	1993815	MS1-410A	30013VL	860808GB	8600310	AVI160 2004
1990485	MS1-401A	1993817	M105R2511SE	30017VL	860809GB	8600310	AVI160 2008
1990491	M105R3502SE	1993828	M105R3502SE	35045VL	M90R3545SE	8600311	AVI160 2004
1990491	MS1-401A	1993828	MS1-401A	35059VL	860516GB	8600311	AVI160 2008
1990493	M105R3502SE	1993833	M105R3503SE	35070VL	860516GB	8600312	AVI160 2004
1990493	MS1-401A	1993833	MS1-410A	8000138	860321	8600312	AVI160 2008
1990497	M105R3503SE	1993835	M105R3502SE	8000138	M93R3066SE	8600313	AVI160 2004
1990497	MS1-410A	1993835	MS1-401A	8000512	861036	8600313	AVI160 2008
1990700	M105R3502SE	1993842	M105R3502SE	8200000	M105R3503SE	8600314	AVI160P2003
1990700	MS1-401A	1993842	MS1-401A	8200004	861036	8600315	AVI160P2003
1990797	M105R3503SE	1993879	M105R2511SE	8200022	M105R3502SE	8600316	AVI160P2003
1990797	MS1-410A	1993881	M105R2511SE	8200026	M105R3503SE	8600399	861285
1990838	M105R3502SE	1993886	M105R2511SE	8200029	M105R3509SE	8600467	8LHA3096U
1990838	MS1-401A	1993894	M105R2511SE	8200034	M105R3502SE	8600468	8LHA3096U
1990842	M105R3502SE	1993896	M105R2511SE	8200041	M105R3502SE	8600480	8LHA3096U
1990842	MS1-401A	1993924	M105R3502SE	8200076	M105R2511SE	8600498	861286
1993700	M105R3502SE	1993924	MS1-401A	8200138	860321	8600512	861311
1993700	MS1-401A	1993933	M105R3502SE	8200138	M93R3066SE	8600620	861311
1993704	M105R3503SE	1993933	MS1-401A	8200221	M105R3502SE	8600690	861311
1993704	MS1-410A	1993936	M105R3503SE	8200271	M105R2511SE	8600764	861311
1993705	M105R2511SE	1993936	MS1-410A	8200296	861036	8600787	860809GB
1993712	M105R2511SE	1993940	M105R3503SE	8200297	860321	8600787	861279GB
1993726	M105R2511SE	1993940	MS1-410A	8200297	M93R3066SE	8600788	860809GB
1993754	M105R2511SE	1993941	M105R3502SE	8200330	M105R3502SE	8600889	AVI160P2003
1993756	M105R2511SE	1993941	MS1-401A	8200410	M105R3502SE	8700019	858884
1993762	M105R2511SE	1993944	M105R3503SE	8200419	M105R3509SE	90013000	20500534
1993769	M105R2511SE	1993944	MS1-410A	8200435	M105R3509SE	90014960	20100719
1993788	M105R3502SE	1993947	M105R2511SE	8200448	M105R3509SE	90014965	20100719
1993788	MS1-401A	1993950	M105R2511SE	8200519	M105R3031SE	90015040	858884
1993796	M105R3503SE	1993951	M105R2511SE	8200614	M105R3502SE	9120080114	858884
1993796	MS1-410A	1993956	M105R2511SE	8200699	M105R3502SE	91313000	20500534
1993797	M105R3503SE	1993957	M105R2511SE	8200709	M105R3502SE	91314960	20100719
1993797	MS1-410A	1993963	M105R2511SE	8200712	M105R3502SE	91314965	20100719
1993799	M105R2511SE	1993980	M105R3503SE	8200724	M105R3502SE	933540	861001
1993800	M105R2511SE	1993980	MS1-410A	8200725	M105R3502SE	DRA0249	1286B500
1993802	M105R3502SE	1993987	M105R3502SE	8200972	M105R2511SE	DRA0249	880704B
1993802	MS1-401A	1993987	MS1-401A	8300014	M105R3509SE	DRA0285	860804GB

Original	Prestolite	Original	Prestolite	Original	Prestolite	Original	Prestolite
DELCO REM		DRA3330	861001	DRB1030	860563	DRS0109	M90R3547SE
DRA0285	AVI147 3110HD	DRA3527	860551	DRB1530	20130237	DRS0109	M90R3557SE
DRA0285	AVI147 3120HD	DRA3558	1277A700	DRB1640	1277A640	DRS0125	M90R3556SE
DRA0286	AVI147 3110HD	DRA3599	66021507	DRB2350	860561	DRS0129	M90R3557SE
DRA0363	861077	DRA3603	66021507	DRB2360	860807GB	DRS0164	861039
DRA0403	861066GB	DRA3608	66021507	DRB2370	860807GB	DRS0164	M93R3104SE
DRA0452	860563	DRA3720	20100719	DRB2380	860807GB	DRS0166	M93R3091SE
DRA0456	860809GB	DRA3740	20100719	DRB2390	860807GB	DRS0167	861038
DRA0495	860809GB	DRA3785	66021507	DRB2410	860807GB	DRS0185	20513043
DRA0495	861279GB	DRA3820	859020	DRB2520	20130237	DRS0319	M105R3509SE
DRA0502	861338	DRA3840	858884	DRB2850	1277A720	DRS0538	M90R3538SE
DRA0514	1277A640	DRA4020	20100723	DRB3890	860563	DRS0539	M90R3547SE
DRA0516	1277A650	DRA4134	860706GBA	DRB4060	860340	DRS0541	M90R3553SE
DRA0528	860807GB	DRA4134	861284	DRB5160	860810GB	DRS0548	M85R3003SE
DRA0815	861284	DRA4270	858783	DRB5160	AVI147S3108HD	DRS0553	M90R3548SE
DRA0841	861078	DRA4350	858884	DRB5170	860710GBA	DRS0777	M90R3548SE
DRA0844	861291	DRA4370	858884	DRB5170	861285	DRS0836	860716
DRA0943	AVI147 3110HD	DRA4400	858783	DRB5280	860807GB	DRS0836	M93R3059SE
DRA1045	A009TU5591A	DRA4610	1277A700	DRB5290	860807GB	DRS0950	20500673
DRA1046	A009TU6499	DRA6240	860560	DRB5430	860810GB	DRS0970	861039
DRA1079	861344	DRA6280	860157	DRB5430	AVI147S3108HD	DRS0970	M93R3104SE
DRA1079N	861344	DRA6280	860560	DRB5490	860809GB	DRS0980	861038
DRA1113	861343	DRA6281	860157	DRB5490	861279GB	DRS1000	20500534
DRA1117	861298	DRA6281	860560	DRB6040	860712GBA	DRS1050	20500534
DRA1117N	861298	DRA6820	20110217	DRB6040	861286	DRS1095	M90R3564SE
DRA1131	861336	DRA7410	858783	DRB6290	860804GB	DRS1150	20500534
DRA1133	860810GB	DRA7420	860808GB	DRB6290	AVI147 3110HD	DRS1280	857472GB
DRA1133	AVI147S3108HD	DRA7440	860167	DRB6290	AVI147 3120HD	DRS1290	861037
DRA1156	861330	DRA7760	860562	DRB6560	860809GB	DRS1330	860817
DRA1190	858884	DRA7770	860558	DRB6560	861279GB	DRS1360	861036
DRA1230	859020	DRA8170	20110217	DRB6570	860809GB	DRS1430	860548GB
DRA1262	861001	DRA8290	1277A640	DRB6590	860808GB	DRS1440	860667GB
DRA1310	858783	DRA9260	860551	DRB7420	860808GB	DRS1450	860500GB
DRA1341	860809GB	DRA9340	860560	DRB7430	860811GB	DRS1490	860508GB
DRA1356	861286	DRA9490	860557	DRB7440	860804GB	DRS1510	860506GB
DRA1419	861332	DRA9530	1277A690	DRB7440	AVI147 3110HD	DRS1550	860653
DRA1423	861341	DRA9530	1277A720	DRB7440	AVI147 3120HD	DRS1550	860660GB
DRA1424	861340	DRA9790	860559	DRB7520	860811GB	DRS1560	860653
DRA1445	861331	DRB0002	860804GB	DRB9320	861066GB	DRS1570	860508GB
DRA1450	858783	DRB0002	AVI147 3110HD	DRS0022	M90R3548SE	DRS2380	S1053B
DRA1466	861334	DRB0002	AVI147 3120HD	DRS0056	860321	DRS2480	860515GB
DRA1509	861335	DRB0003	860804GB	DRS0056	M93R3066SE	DRS2520	860548GB
DRA1537	861342	DRB0003	AVI147 3110HD	DRS0057	860321	DRS2690	20500534
DRA1600	1277A640	DRB0003	AVI147 3120HD	DRS0057	M93R3066SE	DRS2700	M93R3004SE
DRA1622	AVI147 3110HD	DRB0005	860804GB	DRS0058	860507GB	DRS2740	860504GB
DRA2720	858882	DRB0005	AVI147 3110HD	DRS0061	860813	DRS3260	860504GB
DRA2721	858882	DRB0005	AVI147 3120HD	DRS0097	860657GB	DRS3280	S1053B
DRA3100	859020	DRB0260	860559	DRS0100	M105R3031SE	DRS3289	20500968

Cross-Reference

Original	Prestolite	Original	Prestolite	Original	Prestolite	Original	Prestolite
DRS3293	M93R3091SE	DRS7980	M93R3091SE	1280007530	MS1-410A	1162639	860667GB
DRS3410	S1071B	DRS7990	861036	1280007540	M105R3502SE	1163626	M93R3004SE
DRS3420	860516GB	DRS8090	860511GB	1280007540	MS1-401A	11664049	859020
DRS3429	MS1-411A	DRS8370	M105R3031SE	1280007600	20540103	1170738	860657GB
DRS3430	860545GB	DRS8420	860516GB	1280007601	20540103	1170947	860667GB
DRS3440	860545GB	DRS8780	M90R3543SE	1280007602	20540103	1171461	860143
DRS3450	860505GB	DRS8850	20500185	1280007603	20540103	1171681	861001
DRS3456	20500106	DRS8950	20513043	1280007604	20540103	1171682	861001
DRS3490	861036	DRS8990	860818	1454651	M105R2511SE	1173059	860657GB
DRS3508	1327A411	DRS9000	860508GB	2280005640	20540102	1174631	860660GB
DRS3515	1327A581	DRT0070	861037	2280005641	20540102	1175597	1277A700
DRS3518	MS4-401	DRT0170	860716	2280005850	M105R2511SE	1175729	1277A750
DRS3523	MS3-503	DRT0170	M93R3059SE	2280005851	M105R2511SE	1176483	860547GB
DRS3527	M105R3502SE	DRT0340	860615	2280007550	20540101	1177870	859020
DRS3527	MS1-401A	DRT0880	M105R3031SE	4280001440	M105R3503SE	1178511	860558
DRS3528	MS1-411A	DRT1000	M93R3004SE	4280001440	MS1-410A	1178720	860657GB
DRS3529	MS4-401	DRT1480	M90R3545SE	4280001450	M105R3502SE	1179586	M93R3004SE
DRS3675	860615	DRT1490	M90R3543SE	4280001450	MS1-401A	1179882	1277A700
DRS3720	860818	DRT2260	M90R3544SE	DSN939	20540102	1180040	1277A700
DRS3730	860508GB	DR 5104	M105R3502SE	DSN940	20540101	1181180	1277A750
DRS3765	860544GB	DR 5104	MS1-401A	DETROIT DIESEL		1181386	1277A680
DRS3766	860658	DR 5115	M105R3503SE	10461339	M105R3503SE	1182764	861077
DRS3768	860667GB	DR 5115	MS1-419A	10461339	MS1-410A	1182931	M93R3004SE
DRS3828	860817	DR 5167	MS1-403A	R0459133	A0012800LC	1183122	M93R3004SE
DRS3897	20540101	DR 5187	860321	R0459151	8LHA3096U	1183126	861077
DRS3898	860618	DR 5187	M93R3066SE	R0459207	8LHA3096U	1183239	M93R3004SE
DRS3899	20540102	R0459133	A0012800LC	R0461179	M105R3502SE	1183681	M93R3004SE
DRS3899N	20540102	RAS37061	S1071B	R0461179	MS1-401A	1301834	860546GB
DRS4560	860509GB	VG2002	1277A700	R0461184	MS1-403A	2404401	861001
DRS4740	860658	WA11567	860809GB	R0461197	M105R2511SE	2923587	860667GB
DRS4870	860546GB	WA12242	861336	R0461339	M105R3503SE	30465730	M93R3004SE
DRS4910	860500GB	WA12267	861330	R0461339	MS1-410A	3360745	860667GB
DRS4940	S1053B	WA26541	860810GB	DEUT		3362189	861001
DRS5430	860512GB	WA26541	AVI147S3108HD	01182390	M105R3503SE	4684280	860545GB
DRS5670	860507GB	WA27601	860808GB	01182390	MS1-410A	4732241	860545GB
DRS5690	860512GB	WA27681	860809GB	01182764	861077	609090010	860657GB
DRS5760	860507GB	WS19531	860516GB	01183122	M93R3004SE	C6R24 4H7622	860657GB
DRS6380	20500185	DENSO		01183126	861077	D1R24 6H7623	860667GB
DRS6520	860506GB	028000329	M105R2511SE	01183126K	861077	D2R24 6H7622	860504GB
DRS6950	S1071B	028000504	M105R2511SE	01183716	M93R3004SE	D8R24 6H7623	860667GB
DRS7050	860511GB	0280005040	M105R2511SE	0144440711	860667GB	EVOBUS	
DRS7240	860321	0280006920	M105R2511SE	0144440725	860667GB	0041518901	S1053B
DRS7240	M93R3066SE	0280006921	M105R2511SE	0152440109	860657GB	0041519201	S1053B
DRS7250	860548GB	1280007510	M105R3503SE	03042535	1277A700	0041519701	S1053B
DRS7260	S1053B	1280007510	MS1-410A	1161280	860504GB	0051511301	S1053B
DRS7320	860615	1280007520	M105R3503SE	1162135	861001	0051516601	S1053B
DRS7760	860305	1280007520	MS1-410A	1162573	860657GB	0071518901	S1053B
DRS7860	861037	1280007530	M105R3503SE	1162638	860667GB	0071519201	S1053B

Original	Prestolite	Original	Prestolite	Original	Prestolite	Original	Prestolite
EVOBUS		73130194	M105R3502SE	GENERAL MOTORS		112561	860559
A0041518901	S1053B	73130194	MS1-401A	12590N	861286	112822	20540102
A0041519201	S1053B	73130195	M105R3502SE	12591N	860810GB	113332	MS3-503
A0041519701	S1053B	73130195	MS1-401A	12591N	AVI147S3108HD	113333	MS1-410A
A0051511301	S1053B	73130625	MS1-403A	19802N	M90R3545SE	113334	MS3-502
A0051516601	S1053B	76192011	860318	23887N	860808GB	110176	8SC3157V
A0071518901	S1053B	8123168	860653	30111NDR	M105R3031SE	110206	860508GB
A0071519201	S1053B	82224044	860657GB	323775	M105R3502SE	110207	860500GB
FIAT		8961949	860657GB	323775	MS1-401A	110212	860515GB
147363808	S1071B	943251569010	860512GB	323858	M105R3502SE	110214	860548GB
147548908	S1071B	943252190	860504GB	323858	MS1-401A	110347	M105R3031SE
4179626	860545GB	961170588	S1071B	323859	M105R3503SE	110518	860817
42498146	860545GB	99432760	20540102	323859	MS1-410A	110523	M93R3004SE
42498147	860545GB	FORD		323872	M105R3502SE	110524	861036
42498148	860516GB	1596677	859020	323872	MS1-401A	110531	860667GB
42498157	861001	1612497	859020	323935	M105R3503SE	110544	861309
4684280	860545GB	1653206	20500673	323935	MS1-410A	110980	860512GB
4732241	860545GB	5003643	20500673	HC CARGO		110981	860509GB
4732242	860545GB	6143717	859020	110175	8SC3133U	111146	859020
4737756	860817	715F11000MA	20500673	110205	860500GB	111295	66021507
4780974	M105R3502SE	81DB10300BB	859020	110208	860504GB	111527	860560
4780974	MS1-401A	82DB10346BA	859020	110210	860506GB	111631	860551
4782802	860545GB	82RB10346AA	66021507	110211	860544GB	111638	861038
4782803	860545GB	835F 11000BB	20500673	110213	860545GB	111666	860807GB
4784745	860516GB	C4TF11000A	M105R3502SE	110301	M105R3502SE	111694	860809GB
4784747	860516GB	C4TF11000A	MS1-401A	110302	MS1-410A	111694	861279GB
4816170	M105R3503SE	C4T 11002A	MS1-403A	110527	857472GB	111746	860551
4816170	MS1-410A	F3HT11001BA	M105R2511SE	110566	1327A411	111771	860615
500307724	20513043	F3H 11002C	M105R2511SE	110582	860516GB	111833	1277A640
504086888	20513043	F6HT10300FA	A0012800LC	110615	20500968	111834	858882
61227993	860504GB	F6HT11001EA	M105R3503SE	110999	MS1-419A	111886	860557
6143717	859020	F6HT11001EA	MS1-410A	111000	M105R3502SE	111910	860305
6353525	860712GBA	F6H 10346C	A0012800LC	111231	860507GB	111976	1286B500
6353525	861286	F6H 11002EA	M105R3503SE	111257	860318	111982	860321
70620382	M105R3502SE	F6H 11002EA	MS1-410A	111286	MS4-401	111982	M93R3066SE
70620382	MS1-401A	GL366	A0012800LC	111573	20500106	112055	M93R3091SE
70622235	M105R3502SE	R82DB10346AA	859020	111640	861037	112116	860511GB
70622235	MS1-401A	R87DB11000CA	M105R3502SE	111972	880640	112119	860505GB
73061273	M105R3502SE	R87DB11000CA	MS1-401A	111975	880703B	112159	860558
73061273	MS1-401A	SA827	M105R3503SE	111976	880704B	112189	860561
73069398	M105R3502SE	SA827	MS1-419A	111982	860321	112294	8LHA3096U
73069398	MS1-401A	SA872	M105R2511SE	111982	M93R3066SE	112342	860807GB
73116947	M105R3502SE	C4511001AA	M105R2511SE	112019	880718	112345	858884
73116947	MS1-401A	C4U11000AA	M105R2511SE	112076	860560	112427	861286
73117237	M105R3502SE	C4 11002AA	M105R2511SE	112120	860508GB	112439	860804GB
73117237	MS1-401A	GARDNER		112265	8LHA3096U	112439	AVI147 3110HD
73130192	M105R3503SE	L25396	8LHA3096U	112343	860340	112439	AVI147 3120HD
73130192	MS1-419A	L40284	880640	112392	1277A750	112446	860818

Original	Prestolite	Original	Prestolite	Original	Prestolite	Original	Prestolite
112498	860716	HELLA		8EA732856001	MS1-411A	8EL012584021	860810GB
112498	M93R3059SE	8EA011611061	S1071B	8EA737084001	S1071B	8EL012584021	AVI147S3108HD
112561	860559	8EA012081021	M93R3059SE	8EA737108001	860511GB	8EL7238211781	861066GB
112758	860560	8EA012586011	860321	8EA737251001	860658	8EL725587001	858884
112803	860562	8EA012586011	M93R3066SE	8EA737288001	860548GB	8EL725640001	858882
113188	860810GB	8EA012586181	860512GB	8EA737293001	S1053B	8EL725626001	858783
113188	AVI147S3108HD	8EA012586391	M105R3031SE	8EA737403001	860305	8EL725644001	858783
113277	860817	8EA725966001	20500534	8EA737488001	20500185	8EL725649001	858882
113278	860807GB	8EA725973001	861036	8EA737494001	860615	8EL725663001	859020
113284	860809GB	8EA726020001	20500534	8EA737540001	860321	8EL725723001	20100719
113351	860807GB	8EA726022001	860508GB	8EA737540001	M93R3066SE	8EL725736001	860143
113448	860563	8EA726023001	860660GB	8EA737567001	20513055	8EL725737001	859020
113466	861039	8EA726024001	860667GB	8EA737623001	860507GB	8EL725738001	20100723
113466	M93R3104SE	8EA726025001	860506GB	8EA737627001	M93R3091SE	8EL725744001	861001
113468	860818	8EA726038001	861037	8EA737659001	860511GB	8EL725748001	20100719
113609	M105R3031SE	8EA726085001	20500673	8EA737867001	20513043	8EL725799001	858884
113713	860804GB	8EA726095001	20500534	8EA737912001	860818	8EL725817001	858884
113713	AVI147 3110HD	8EA726139001	861038	8EA737936001	860817	8EL725846001	860157
113713	AVI147 3120HD	8EA726142001	860817	8EA738029001	861037	8EL725846001	860560
113759	861037	8EA726149001	M93R3004SE	8EA738030001	860716	8EL725849001	860560
113830	M90R3557SE	8EA726150001	860516GB	8EA738030001	M93R3059SE	8EL725858001	858783
113891	M90R3545SE	8EA726154001	860504GB	8EA738038001	M105R3031SE	8EL730012001	20100723
113923	861285	8EA726167001	860545GB	8EA738069001	M90R3543SE	8EL730020001	858884
113998	860808GB	8EA726170001	M93R3004SE	8EA738074001	MS3-502	8EL730046001	860157
114007	860808GB	8EA726177001	860500GB	8EA738075001	M105R3503SE	8EL730046001	860560
114078	AVI147 3110HD	8EA726179001	860546GB	8EA738075001	MS1-410A	8EL730047001	858882
114086	M90R3553SE	8EA726189001	860545GB	8EA738076001	MS4-401	8EL730063001	1277A640
114212	860804GB	8EA726219001	860818	8EA738077001	MS3-503	8EL730064001	1277A640
114212	AVI147 3110HD	8EA726253001	857472GB	8EA738078001	MS4-401	8EL730136001	8SC3133U
114212	AVI147 3120HD	8EA726254001	860548GB	8EA738092001	861036	8EL730137001	8SC3157V
114296	860810GB	8EA726255001	860500GB	8EA738111001	860544GB	8EL731714001	860562
114296	AVI147S3108HD	8EA72625501	860674GB	8EA738113001	860618	8EL731715001	860167
114303	861077	8EA726543001	M105R3502SE	8EA738152001	20540101	8EL732690001	860551
114382	861298	8EA726543001	MS1-401A	8EA738173001	860507GB	8EL732707001	860558
114523	860321	8EA729139001	861038	8EA738212001	M93R3091SE	8EL732717001	20110217
114523	M93R3066SE	8EA730178001	861039	8EA738223001	M105R3031SE	8EL732874001	860551
114872	M90R3547SE	8EA730178001	M93R3104SE	8EA738258111	20540102	8EL737195001	860557
114880	861078	8EA730187001	860509GB	8EA738258371	M90R3543SE	8EL737213001	66021507
115495	861066GB	8EA730204001	860507GB	8EA738258381	M90R3557SE	8EL737299001	1277A680
115509	M90R3545SE	8EA730215001	860512GB	8EA738258651	M90R3544SE	8EL737363001	1277A670
115511	M90R3544SE	8EA730216001	1327A411	8EA738258731	M90R3545SE	8EL737364001	1277A640
115798	861341	8EA730219001	20500968	8EA738258831	M105R3509SE	8EL737365001	1277A720
115799	861340	8EA730226001	860504GB	8EA738258931	861039	8EL737365001	1277A760
115805	861330	8EA730303001	M105R3503SE	8EA738258931	M93R3104SE	8EL737591001	1277A720
115808	861331	8EA730303001	MS1-410A	8EA738259231	M105R3031SE	8EL737633001	860560
142074	861336	8EA731760001	20500534	8EA738259291	861038	8EL737661001	860561
333955	861334	8EA732660001	860505GB	8EA749553001	860321	8EL737724001	20130237
		8EA732680001	860318	8EA749553001	M93R3066SE	8EL737758001	860563

Original	Prestolite	Original	Prestolite	Original	Prestolite	Original	Prestolite
HELLA		CA1593IR	860559	CA723IR	20100723	CS1495	M90R3538SE
8EL737846001	860561	CA1624IR	860340	CA746IR	858882	CS188	20500534
8EL737887001	860558	CA1633IR	861286	CA748IR	860560	CS190	857472GB
8EL737887001	860559	CA1659IR	1277A650	CA749IR	858882	CS191	860508GB
8EL737894001	860340	CA1666IR	860807GB	CA823IR	1277A640	CS194	860660GB
8EL737916001	860712GBA	CA1667IR	860340	CA824IR	1277A640	CS195	860667GB
8EL737916001	861286	CA1670IR	880703B	CA833IR	20110217	CS198	860506GB
8EL737981001	1277A650	CA1693IR	860809GB	CA853IR	860562	CS269	861037
8EL737989001	860807GB	CA1694IR	860809GB	CA854IR	860167	CS337	20500673
8EL737992001	1277A680	CA1694IR	861279GB	CA907IR	860551	CS391	861038
8EL738053001	860809GB	CA1699IR	860810GB	CS1034	860658	CS394	860817
8EL738054001	860807GB	CA1699IR	AVI147S3108HD	CS1040	860548GB	CS4001	MS1-410A
8EL738054001	860809GB	CA1739IR	860807GB	CS1061	860305	CS4002	MS3-502
8EL738054001	861279GB	CA1770IR	1277A840	CS1075	20500185	CS4003	MS4-401
8EL738063001	860810GB	CA180IR	861001	CS1077	860615	CS4004	MS3-503
8EL738063001	AVI147S3108HD	CA1812IR	860810GB	CS1112	860321	CS4005	M105R3502SE
8EL738093001	860807GB	CA1812IR	AVI147S3108HD	CS1112	M93R3066SE	CS4005	MS1-401A
8EL738170001	1277A720	CA1847IR	860811GB	CS1115	20513055	CS4006	MS1-403A
8EL738195001	860810GB	CA1853IR	860804GB	CS1128	860507GB	CS4007	MS1-411A
8EL738195001	AVI147S3108HD	CA1853IR	AVI147 3110HD	CS1129	M93R3091SE	CS4010	MS4-400
8EL738211121	860804GB	CA1853IR	AVI147 3120HD	CS113	20500534	CS4017	1327A581
8EL738211121	AVI147 3110HD	CA1870IR	860808GB	CS1161	860511GB	CS501	M93R3004SE
8EL738211121	AVI147 3120HD	CA1871IR	860808GB	CS120	861036	CS502	860516GB
8EL738211251	860808GB	CA187IR	858783	CS1203	20513043	CS506	860504GB
8EL738211261	860808GB	CA1883IR	860804GB	CS1243	860818	CS519	S1054B
8EL738211611	860804GB	CA1883IR	AVI147 3110HD	CS1248	860817	CS526	860545GB
8EL738211611	AVI147 3110HD	CA1883IR	AVI147 3120HD	CS1267	861037	CS530	M93R3004SE
8EL738211611	AVI147 3120HD	CA1917IR	861066GB	CS1267	861037	CS544	860500GB
8EL738211781	861066GB	CA1939IR	861066GB	CS1268	860716	CS546	860546GB
8EL738211831	861066GB	CA2040IR	861285	CS1268	M93R3059SE	CS564	860545GB
8EL738212541	861285	CA2111IR	861078	CS1269	M105R3031SE	CS595	860818
CA1035IR	860558	CA2184IR	861077	CS1279	861036	CS608	861039
CA1049IR	860551	CA222IR	858783	CS1285	860618	CS608	M93R3104SE
CA1062IR	20110217	CA227IR	858882	CS1292	20540101	CS617	860509GB
CA1072IR	20100719	CA240IR	859020	CS1331	M93R3091SE	CS688	860507GB
CA1148IR	860557	CA321IR	20100719	CS1333	M105R3031SE	CS699	860512GB
CA1193IR	66021507	CA333IR	860143	CS1380	M90R3543SE	CS700	1327A411
CA1224IR	1277A680	CA334IR	859020	CS1381	860321	CS703	20500968
CA1235IR	1277A670	CA335IR	20100723	CS1381	M93R3066SE	CS710	860504GB
CA1236IR	1277A640	CA341IR	861001	CS1383	20540102	CS716	20500534
CA1237IR	1277A760	CA345IR	20100719	CS1388	M90R3557SE	CS85	20500534
CA132IR	858884	CA500IR	858884	CS1399	M90R3545SE	CS881	860505GB
CA1393IR	1277A720	CA518IR	858884	CS1420	M90R3544SE	CS885	S1071B
CA1438IR	860560	CA550IR	860560	CS1451	M105R3509SE	CS885	S1071B
CA1456IR	860561	CA558IR	860560	CS1464	861039	CS962	860511GB
CA1489IR	20130237	CA568IR	858783	CS1464	M93R3104SE	CS97	857472GB
CA1505IR	860563	CA714IR	20100723	CS1472	M90R3547SE	CS98	860548GB
CA1551R	858882	CA722IR	858884	CS1474	861038	CS99	860500GB

Cross-Reference

Original	Prestolite	Original	Prestolite	Original	Prestolite	Original	Prestolite
UA920IR	8SC3133U	04784747	860516GB	42522942	M93R3004SE	5040109413	861284
UA921IR	8SC3157V	04839041	860545GB	42522949	1277A700	504021528	1277A680
US1241	MS3-502	04892338	860716	42535365	859020	504028095	860712GBA
US1242	MS1-410A	04892338	M93R3059SE	4298717	20513043	504028095	861286
US1243	MS4-401	0504021528	1277A680	4716026	860817	504065776	860710GBA
US1244	MS3-503	1161473	860660GB	4732241	860545GB	504065776	861285
US1245	MS4-401	1307454	860560	4732242	860545GB	504065776	861286
US823	MS1-419A	1516696	860817	4755111	860817	50408688	20513043
US857	860318	1516696R	860817	4775918	861338	504109413	860712GBA
US864	MS1-411A	2994100	20513043	4782802	860545GB	504109413	861286
HONDA (DONGFENG)		2995138	20540102	4782803	860545GB	504114396	860712GBA
3708N010	M93R3002SE	2995976	860810GB	4784745	860516GB	504114396	861286
C3415537	MS3-504	2995976	AVI147S3108HD	4784746	860516GB	504201467	20513043
C3415564	1277A730	2995978	860810GB	4784747	860516GB	504254440	861340
C3415609	F 276W	2995978	AVI147S3108HD	4798922	861338	504282333	860706GBA
C4934604	1277A740	2995980	860712GBA	4807379	860817	504282333	861284
C4935821	AVI136A101	2995980	861286	4816170	M105R3503SE	504282826	861341
C4937364	MS4-400	2995986	860716	4816170	MS1-419A	504286394	860710GBA
C4942446	M105R3004SE	2995986	M93R3059SE	4831585	861338	504286394	861285
C4944738	F 275	2995988	20540101	4892318	860810GB	504342586	861342
C4983067	M93R3004SE	2995990	20513043	4892318	AVI147S3108HD	504349338	861286
C4983068	M93R3014SE	2997384	860516GB	4892320	860810GB	504349348	861285
C4983774	M93R3002SE	2998646	860712GBA	4892320	AVI147S3108HD	504349350	861286
C5253001	1277A740	2998646	861286	4892338	860716	5411656432	M93R3091SE
C5255292	M105R3001SE	300668600	860558	4892338	M93R3059SE	5801315646	861285
H UNDAI		3352622R91	MS4-401	489233800	860716	5801381129	860716
A1092	1277A640	3749801	860716	489233800	M93R3059SE	5801381129	M93R3059SE
A1092	1277A690	3749801	M93R3059SE	4936699	860545GB	5801577135	860716
INTERNATIONAL		4179626	860545GB	5001018866	1277A760	5801577135	M93R3059SE
1677975C92	A0012800LC	42498115	20540101	5001857982	20540102	5801710983	20540101
16807454C92	A0012800LC	42498145	860817	500315943	860712GBA	5802122270	861285
3218884E	861001	42498146	860545GB	500315943	861286	5802122271	861286
3586471C91	M105R2511SE	42498147	860545GB	500325102	860545GB	61583669	860516GB
3804481C92	M105R2511SE	42498148	860516GB	500325103	860545GB	69502571	20513043
3819198C91	AVI160P2003	42498155	861001	500325137	860817	8007700	860558
6010413C91	M105R2511SE	42498235	859020	500331734	860712GBA	8033366	860558
60104C91	M105R2511SE	42498612	860560	500331734	861286	8122191	860667GB
W0010532	AVI160P2003	42498619	860516GB	500331736	860710GBA	86070670	860706GBA
ISU U		42498708	860545GB	500331736	861285	86070670	861284
377776393001	860809GB	42498713	860810GB	500332014	1277A760	92901937	MS4-401
387011787001	860809GB	42498713	AVI147S3108HD	500337394	860706GBA	92901940	M105R3502SE
387011787001	861279GB	42498717	20513043	500337394	861284	92901940	MS1-401A
IVECO		42498718	860716	5006008914	860710GBA	92901941	MS3-503
0003350301	860810GB	42498718	M93R3059SE	5006008914	861285	92901944	MS4-401
0003350301	AVI147S3108HD	42522593	859020	503120569	860807GB	92901946	66021507
0003749801	860716	42522641	M93R3004SE	5031315296	860507GB	92901947	66021507
0003749801	M93R3059SE	42522653	M93R3004SE	503135288	860507GB	98424452	860560
0300668600	860558	42522865	859020	503135296	860507GB	98424453	860560

Original	Prestolite	Original	Prestolite	Original	Prestolite	Original	Prestolite
IVECO		1182405	860804GB	943251415	20500534	943252274	M93R3104SE
98424739	860560	1182405	AVI147 3110HD	943251443	20500534	943252274010	861039
98424748	860560	1182405	AVI147 3120HD	943251443010	20500534	943252274010	M93R3104SE
98449163	860560	1182763	861077	943251448	20500534	943252284	861037
99432760	20540102	1182771	860804GB	943251568	M105R3502SE	943254050010	S1053B
99454110	860558	1182771	AVI147 3110HD	943251568	MS1-401A	943356188	858884
99477271	860710GBA	1182771	AVI147 3120HD	943251569	860512GB	943356206	20100719
99477271	861285	1183118	861343	943251634	20500534	943356207	20100719
99486046	20540101	1183128	861343	943251634010	20500534	943356226	1277A640
994892320	860810GB	1853162	861001	943251664010	S1053B	943356231	858882
994892320	AVI147S3108HD	2913957	860667GB	943251920010	S1071B	943356247	860558
994892338	860716	3040678	860660GB	943252046	860660GB	943356521	858884
994892338	M93R3059SE	3040718	860558	943252046010	860660GB	943356615	20100719
9977271	860710GBA	3042535	1277A700	943252064	860516GB	943356620	20100719
9977271	861285	3367093	860658	943252122	20500534	943356621	20100719
K SSBÖHRER		4684240	860545GB	943252129	860653	943356623	20100719
7421356000	861338	D3R24 6H7622	860660GB	943252129	860660GB	943356626	20100723
KHD		KING LONG		943252184	860506GB	943356685	859020
01107820	860305	210300120	M105R3004SE	943252187	860506GB	943356808	20100719
01174631	860660GB	MAGNETI MARELLI		943252188	860667GB	943356809	20100719
01177870	859020	06322310160	860716	943252190	860504GB	943356811	20100723
01178720	860657GB	06322310160	M93R3059SE	943252194	860506GB	943356849	860560
01180101	1277A750	063227501	20500673	943252194	860508GB	943357259	860560
01180999	M93R3004SE	063522310050	M93R3004SE	943252197	860505GB	943357260	860157
01182155	861001	063522310110	860817	943252197	860548GB	943357261	860167
01182235	M93R3004SE	063522310290	861037	943252198	860500GB	943357557	858884
01182405	860804GB	063524160520	860516GB	943252201	861036	943357715010	861001
01182405	AVI147 3110HD	063535550050	860810GB	943252203	860546GB	943357716	858783
01182405	AVI147 3120HD	063535550050	AVI147S3108HD	943252203	860658	943357765	861001
01182763	861077	063536550050	860810GB	943252205	M93R3004SE	944280169500	S1071B
01182771	860804GB	063536550050	AVI147S3108HD	943252207	857472GB	M130824TV1	860545GB
01182771	AVI147 3110HD	26343	20500106	943252208	861038	M130824TV2	860545GB
01182771	AVI147 3120HD	26355	20500673	943252208010	861038	MAN2003	860810GB
01183118	861343	27503	20500137	943252210	860506GB	MAN2003	AVI147S3108HD
01183128	861343	27513	20500106	943252210	860508GB	MAN2045	860810GB
1161280	860504GB	27518	20500968	943252215	M93R3004SE	MAN2045	AVI147S3108HD
1161473	860660GB	27531	20500673	943252221	860545GB	MAR1503	858884
1162641	860667GB	27577	20500673	943252223	20500534	MAR5169	861001
1164269	860518GB	63111023	20500185	943252223010	20500534	MAR5364	20130237
1172650	861001	63214371	860657GB	943252228	860516GB	MAR836	858884
1173846	1277A700	63216740	860817	943252230	860545GB	MAR845	858882
1177277	859020	63216741	860817	943252243	860505GB	MAR854	860558
1178669	861001	63224302	860545GB	943252243	860548GB	MAR886	860560
1179941	1277A700	63226301	860545GB	943252245	861036	MAR892	860560
1180440	1277A700	63226391	860545GB	943252249	860818	MAR894	860167
1180999	M93R3004SE	943214376	860657GB	943252250	860508GB	MAR896	858884
1182155	861001	943226391	860545GB	943252254	860509GB	MAR899	858783
1182235	M93R3004SE	943251221	20500673	943252274	861039	MRS16950	S1071B

Cross-Reference

Original	Prestolite	Original	Prestolite	Original	Prestolite	Original	Prestolite
MRS17260	S1053B	MSR735	861039	51261017270	860808GB	51262017118	860818
MRS18270	S1053B	MSR735	M93R3104SE	51261017271	860808GB	51262017119	861037
MSN2008	860716	MSR742	861037	51261017323	1277A720	51262017123	860506GB
MSN2008	M93R3059SE	MT67C	860817	51261019119	860143	51262017125	860508GB
MSN2009	20513043	MT67CA	860817	51261019144	860143	51262017127	860508GB
MSN2025	S1053B	MT67CB	860817	51261019144	860558	51262017140	861037
MSN2043	M93R3004SE	MAN		51261019185	858783	51262017143	860818
MSN2045	860817	36261016004	1277A760	51261019185	860558	51262017152	860818
MSN2048	861037	36261016008	1277A760	51261019192	860558	51262017153	861037
MSN2063	860516GB	50261017175	1277A750	51261019201	858783	51262017157	860818
MSN521	860817	51121017211	859020	51261019201	860558	51262017158	861037
MSR141	20500673	51252017181	860508GB	51261019215	860167	51262017159	860508GB
MSR2050	S1053B	51252019181	860508GB	51261019254	860811GB	51262017181	860508GB
MSR207	20500673	512610017210	1277A750	51261019258	1277A760	51262017183	860818
MSR425	20500534	51261016058	1277A720	51261019268	860811GB	51262017188	861037
MSR470	20500534	51261016072	1277A720	51261019270	860808GB	51262017189	860818
MSR490	S1053B	51261016081	1277A720	51261019271	860808GB	51262017193	860813
MSR5005	S1071B	51261016084	1277A720	51261019278	860809GB	51262017193	M85R3003SE
MSR505	20500185	51261016085	1277A760	51261019283	860809GB	51262017199	M90R3548SE
MSR516	20500534	51261016086	1277A720	51261019323	1277A720	51262017211	M90R3548SE
MSR651	860657GB	51261017085	861001	51261020010	860810GB	51262017212	861037
MSR674	860512GB	51261017119	860143	51261020010	AVI147S3108HD	51262017213	860818
MSR681	860516GB	51261017133	858783	51262016200	860667GB	51262017217	860818
MSR685	860653	51261017144	860143	51262017001	860660GB	51262017222	860813
MSR687	860506GB	51261017144	860558	51262017005	860653	51262017222	M85R3003SE
MSR688	860667GB	51261017148	858783	51262017013	860657GB	51262017226	M90R3548SE
MSR690	860504GB	51261017155	859020	51262017014	860657GB	51262017236	860813
MSR692	860508GB	51261017156	859020	51262017018	860653	51262017236	M85R3003SE
MSR693	860548GB	51261017168	859020	51262017029	860500GB	51262017807	860660GB
MSR694	860500GB	51261017184	858783	51262017034	860504GB	512620178074	860660GB
MSR695	861036	51261017185	858783	51262017048	860504GB	51262017902	860508GB
MSR696	860658	51261017185	860558	51262017052	860660GB	51262017950	860518GB
MSR698	M93R3004SE	51261017192	860558	51262017057	860506GB	51262019001	860660GB
MSR700	857472GB	51261017195	860558	51262017061	860508GB	51262019005	860653
MSR701	861038	51261017201	858783	51262017062	860658	51262019034	860504GB
MSR702	860508GB	51261017210	1277A750	51262017074	860660GB	51262019057	860506GB
MSR705	M93R3004SE	51261017211	859020	51262017080	860653	51262019061	860508GB
MSR709	860545GB	51261017214	860167	51262017085	860818	51262019062	860658
MSR711	860516GB	51261017215	860167	51262017087	860506GB	51262019074	860660GB
MSR712	860545GB	51261017222	1277A750	51262017092	860508GB	51262019080	860653
MSR713	860515GB	51261017246	860808GB	51262017095	861037	51262019099	860660GB
MSR719	860667GB	51261017249	860808GB	51262017099	860660GB	51262019117	860506GB
MSR725	860505GB	51261017253	860811GB	51262017100	860504GB	51262019117	860508GB
MSR725	861039	51261017254	860811GB	51262017108	860508GB	51262019118	860818
MSR725	M93R3104SE	51261017258	1277A720	51262017109	860508GB	51262019119	861037
MSR727	861036	51261017259	860811GB	51262017110	860506GB	51262019127	860508GB
MSR729	860818	51261017268	860811GB	51262017112	860660GB	51262019140	861037
MSR732	860509GB	51261017269	860811GB	51262017116	860653	51262019143	860818

Original	Prestolite	Original	Prestolite	Original	Prestolite	Original	Prestolite
MAN		0001514101	860508GB	0041516185	860506GB	0061512101	860321
51262019157	860818	0001516687	861036	0041516201	860321	0061512101	M93R3066SE
51262019159	860508GB	0011510001	860660GB	0041516201	M93R3066SE	0061512201	860321
51262019181	860508GB	0011512901	860504GB	0041516801	860508GB	0061512201	M93R3066SE
51262019183	860818	0011513701	860660GB	0041516901	20500185	0061512203	860321
51262019199	M90R3548SE	0011513801	860660GB	0041518101	20500185	0061512203	M93R3066SE
51262019200	860667GB	0011513901	860667GB	0041518401	860321	0061513801	M105R3031SE
51262019211	M90R3548SE	0011514101	860660GB	0041518401	M93R3066SE	0061514801	M90R3553SE
51262019212	861037	0011516401	20500534	0041518601	861036	0061516701	860321
51262019213	860818	0011516901	20500185	0041518801	860615	0061516701	M93R3066SE
51262019222	860813	0011519601	861036	0041518901	S1053B	0061516801	M90R3553SE
51262019222	M85R3003SE	0011519701	860506GB	0041519001	M105R3031SE	0061516901	M105R3031SE
51262019226	M90R3548SE	0021506901	20500534	0041519201	S1053B	0061541702	861001
51262019236	860813	0021510201	860508GB	0041519401	860615	0061542102	1277A640
51262019236	M85R3003SE	0021511301	860660GB	0041519501	860615	0061542102	1277A700
59262017199	M90R3548SE	0021512601	20500534	0041519701	S1053B	0061546702	858783
61262017228	M90R3548SE	0021515301	860508GB	0051510601	20500185	0061546802	860558
81261016046	1277A720	0021516301	860653	0051511301	S1053B	0061548602	1277A640
81261016047	1277A720	0021516401	20500534	0051512001	860321	0061548702	20100719
81261016058	1277A760	0021516901	20500534	0051512001	M93R3066SE	0061548802	20100719
81261016064	1277A720	0021518101	860653	0051512101	860321	0061548902	20100719
81261016072	1277A720	0021518501	860660GB	0051512101	M93R3066SE	0071510201	M105R3031SE
81261016079	1277A720	0031510401	861036	0051512201	860321	0071510401	M105R3031SE
81261016081	1277A720	0031510701	20500534	0051512201	M93R3066SE	0071510801	M90R3553SE
81261016084	1277A720	0031511101	20500534	0051512701	860508GB	0071511301	M105R3031SE
81261016086	1277A760	0031512001	20500534	0051512901	S1053B	0071511801	M105R3131SE
81261017119	860143	0031514101	860508GB	0051513401	20500185	0071513401	860321
81261019046	1277A720	0031514501	860508GB	0051513601	20500185	0071513401	M93R3066SE
81261019086	1277A760	0031514601	860506GB	0051515001	M105R3031SE	0071514401	M105R3131SE
81262019013	861039	0031515701	860653	0051515301	20500185	0071518901	S1053B
81262019013	M93R3104SE	0031515704	860660GB	0051515401	860615	0071519201	S1053B
81262019029	860500GB	0031516001	860660GB	0051516401	M105R3031SE	0071541902	1277A650
82261016086	1277A760	0031516085	860508GB	0051516601	S1053B	0071542102	858783
8326016501	1277A700	0031516601	860667GB	0051517601	860321	0071542402	858783
83261016501	1277A700	0031516801	860653	0051517601	M93R3066SE	0071542428	1277A640
88262016200	860667GB	0031517401	861036	0051519701	860321	0071542428	1277A690
88262019200	860667GB	0031518601	861036	0051519701	M93R3066SE	0071542702	858783
90801105110	860657GB	0031518801	861036	0051542402	858783	0071542802	1277A640
90801105190	860660GB	0031519501	860660GB	0051543402	860143	0071543302	20100719
MCI		0041416101	860506GB	0051543502	1277A640	0071543402	20100719
7L133998CG	1277A680	0041418101	860321	0051544502	1277A640	0071544802	20100719
MERCEDES-BEN		0041418101	M93R3066SE	0051545102	858783	0071545102	20100719
0001505350	861330	0041512401	M105R3031SE	0051548202	858884	0071545202	20100719
0001506450	861334	0041512901	860653	0051548402	1277A640	0071545302	20100719
0001506550	861331	0041515001	M105R3031SE	0051548502	1277A640	0071545402	20100719
0001507150	861336	0041515901	861036	0061510001	M105R3031SE	0071545502	20100719
0001507250	861330	0041516001	860508GB	0061511501	M105R3031SE	0071545602	20100719
0001510001	860667GB	0041516101	860506GB	0061511690	M105R3031SE	0071545802	20100719

Original	Prestolite	Original	Prestolite	Original	Prestolite	Original	Prestolite
0071546002	20100719	0111540402	20110217	3761510301	860321	A0041516201	M93R3066SE
0071546102	20100719	0111540602	20130237	3761510301	M93R3066SE	A0041516801	860508GB
0071546702	20100723	0111545002	1277A640	4571510301	M105R3031SE	A0041516901	20500185
0071546802	20100723	0111548602	860807GB	4571510501	M105R3503SE	A0041518401	860321
0071548702	20100719	0111548702	860807GB	4571540602	860807GB	A0041518401	M93R3066SE
0071549202	860558	0111549602	1277A720	4761507950	1277A640	A0041518601	861036
0071549902	860558	0121540402	860807GB	4761508450	1277A720	A0041518801	860615
0071549903	860558	0121540502	860807GB	4761547601	1277A720	A0041518901	S1053B
0081540802	1277A700	0121541002	860807GB	4761547701	1277A720	A0041518901	S1053B
0081540902	1277A700	0121541102	860807GB	8131547802	860807GB	A0041518901	S1053B
0081542802	1277A700	0121542002	20130237	A0001416005	860500GB	A0041519001	M105R3031SE
0081543102	858783	0121542202	20130237	A0001505350	861330	A0041519201	S1053B
0081544502	860558	0121544702	861338	A0001506450	861334	A0041519401	860615
0081544802	20100723	0121545002	861338	A0001506550	861331	A0041519501	860615
0081547802	1277A640	0121546702	860807GB	A0001507150	861336	A0041519701	S1053B
0081548002	20100723	0121546802	860807GB	A0001507250	861330	A0051510601	20500185
0081548702	20100719	0131541702	20130237	A0001516687	861036	A0051511301	S1053B
0081548702	20100719	0131542802	860807GB	A0011512901	860504GB	A0051511301	S1053B
0081549602	20110217	0131542902	860807GB	A0011513901	860667GB	A0051512001	860321
0091540602	858783	0131543602	20130237	A0011514101	860660GB	A0051512001	M93R3066SE
0091540620	858783	0131544002	860807GB	A0011519601	861036	A0051512201	860321
0091540702	858783	0131544102	860807GB	A0011519701	860506GB	A0051512201	M93R3066SE
0091540802	1277A640	0131544202	860807GB	A0021510201	860508GB	A0051512701	860508GB
0091540902	1277A640	0131544302	860807GB	A0021511301	860660GB	A0051512901	S1053B
0091541502	860167	0131545102	860807GB	A0021515301	860508GB	A0051513401	20500185
0091543002	20110217	0131547102	860563	A0021518101	860653	A0051513601	20500185
0091543402	860167	0131547202	860563	A0021518501	860660GB	A0051515001	M105R3031SE
0091543502	20110217	0131547302	1277A640	A0031510401	861036	A0051516401	M105R3031SE
0091544102	20110217	0131547402	1277A650	A0031510701	20500534	A0051516601	S1053B
0091545802	20110217	0131547802	860807GB	A0031514101	860508GB	A0051516601	S1053B
0091547202	1277A650	0131547902	860807GB	A0031514501	860508GB	A0051517601	860321
0091547702	1277A650	0131548702	860807GB	A0031514601	860506GB	A0051517601	M93R3066SE
0091549702	860559	0141544702	861336	A0031515701	860653	A0051518501	861036
0091549702	860559	0141545302	860807GB	A0031516001	860660GB	A0051519701	860321
0091549802	860559	0141545402	860807GB	A0031516601	860667GB	A0051519701	M93R3066SE
0091549902	860563	0141546202	861311	A0031517401	861036	A0051542402	858783
0095407002	858783	0141547102	861311	A0031518601	861036	A0051543402	860143
0101540002	860563	0141547402	861311	A0031518801	861036	A0051543502	1277A640
0101542002	858783	0141547802	861311	A0031519501	860660GB	A0051545102	858783
0101544702	20110217	0151540302	861311	A0041416101	860506GB	A0051548202	858884
0101545402	20110217	0151541202	861311	A0041418101	860321	A0051548402	1277A640
0101546302	20130237	0151541202	861311	A0041418101	M93R3066SE	A0061510001	M105R3031SE
0101548202	860563	0151541302	861311	A0041512401	M105R3031SE	A0061511501	M105R3031SE
0101548902	860563	0151542302	861311	A0041515001	M105R3031SE	A0061511690	M105R3031SE
0101549002	860559	0031516001	860660GB	A0041515901	861036	A0061512101	860321
0101549102	860559	0031519501	860660GB	A0041516001	860508GB	A0061512101	M93R3066SE
0101549202	860563	3661502250	860558	A0041516101	860506GB	A0061512201	860321
0101549502	20130237	3661502350	860167	A0041516201	860321	A0061512201	M93R3066SE

Original	Prestolite	Original	Prestolite	Original	Prestolite	Original	Prestolite
MERCEDES-BEN		A0091540602	858783	A0131544202	860807GB	A004TA8191	861077
A0061512203	860321	A0091540620	858783	A0131544302	860807GB	A004TA8291	861285
A0061512203	M93R3066SE	A0091540702	858783	A0131545102	860807GB	A004TA8292	861286
A0061513801	M105R3031SE	A0091540902	1277A640	A0131547102	860563	A004TA8391	861343
A0061514801	M90R3553SE	A0091541502	860167	A0131547202	860563	A004TA8491	861285
A0061516701	860321	A0091543002	20110217	A0131547302	1277A640	A004TA8492	861286
A0061516701	M93R3066SE	A0091543502	20110217	A0131547402	1277A650	A004TA8492A	861286
A0061516801	M90R3553SE	A0091544102	20110217	A0131547802	860807GB	A004TA8494	860706GBA
A0061516901	M105R3031SE	A0091545802	20110217	A0131547902	860807GB	A004TA8494	861284
A0061541702	861001	A0091547202	1277A650	A0131548702	860807GB	A004TA8591	861077
A0061542102	1277A700	A0091547702	1277A650	A0141544702	861336	A004TA8691	861343
A0061546702	858783	A0091549702	860559	A0141545302	860807GB	A004TA8691AM	861343
A0061548602	1277A640	A0091549702	860559	A0141545402	860807GB	A004TA8791	861285
A0071510201	M105R3031SE	A0091549802	860559	A0141546202	861311	A004TA8792	861286
A0071510401	M105R3031SE	A0091549902	860563	A0141547102	861311	A004TR5391	861078
A0071510801	M90R3553SE	A0095407002	858783	A0141547402	861311	A004TR5392	861291
A0071511301	M105R3031SE	A0101540002	860563	A0141547802	861311	A004TR5392AM	861291
A0071511801	M105R3131SE	A0101542002	858783	A0151540302	861311	A004TR5392 T	861291
A0071513401	860321	A0101544702	20110217	A0151541202	861311	A004TR5393	861078
A0071513401	M93R3066SE	A0101545402	20110217	A0151541202	861311	A004TR5491	861079
A0071514401	M105R3131SE	A0101546302	20130237	A0151541302	861311	A004TR5491A	861079
A0071518901	S1053B	A0101548202	860563	A0151542302	861311	A004TR5491AAM	861079
A0071519201	S1053B	A0101548902	860563	A1091544102	860807GB	A004TR5491AM	861079
A0071541902	1277A650	A0101549002	860559	A3661502250	860558	A004TR5491AT	861079
A0071542102	858783	A0101549102	860559	A3661502350	860167	A004TR5491 T	861079
A0071542402	858783	A0101549202	860563	A3761510301	860321	A004TR5591	861078
A0071542702	858783	A0101549502	20130237	A3761510301	861036	A004TR5591AM	861078
A0071542802	1277A640	A0111540602	20130237	A3761510301	M93R3066SE	A004TR5591 T	861078
A0071545102	20100719	A0111545002	1277A640	A3761510501	861036	A004TR5592	861291
A0071545202	20100719	A0111548602	860807GB	A4571510301	M105R3031SE	A004TR5592 T	861291
A0071545302	20100719	A0111548702	860807GB	A4571510501	M105R3503SE	A004TR5593AM	861078
A0071545402	20100719	A0111549602	1277A720	A4571540602	860807GB	A004TR5593 T	861078
A0071546002	20100719	A0121540402	860807GB	A4761507950	1277A640	A004TR5691	861298
A0071546802	20100723	A0121540502	860807GB	A4761508450	1277A720	A004TR5691AM	861298
A0071549202	860558	A0121541002	860807GB	A4761547601	1277A720	A004TR5691 T	861298
A0071549902	860558	A0121541102	860807GB	A4761547701	1277A720	A004TR5693	861079
A0071549903	860558	A0121542002	20130237	A8131547802	860807GB	A004TR5791	861341
A0081540802	1277A700	A0121542202	20130237	B001350032	M105R3031SE	A004TR5791AM	861341
A0081540902	1277A700	A0121544702	861338	BPD624AR9	860506GB	A004TR5791 T	861341
A0081542802	1277A700	A0121545002	861338	MITSUBISHI		A004TR5792	861342
A0081543102	858783	A0121546702	860807GB	A003TA8491	860561	A004TR5792 T	861342
A0081544502	860558	A0121546802	860807GB	A003TA8791	861077	A004TR5794	861340
A0081544802	20100723	A0131541702	20130237	A004TA0591	860710GBA	A004TR5794 T	861340
A0081547802	1277A640	A0131542802	860807GB	A004TA0591	861285	A004TR5891	861344
A0081548002	20100723	A0131542902	860807GB	A004TA0592	860712GBA	A004TR5891AM	861344
A0081548702	20100719	A0131543602	20130237	A004TA0592	861286	A004TR5891 T	861344
A0081548702	20100719	A0131544002	860807GB	A004TA0594	860706GBA	A004TR5892	861344
A0081549602	20110217	A0131544102	860807GB	A004TA0594	861284	A004TR5892 T	861344

Original	Prestolite	Original	Prestolite	Original	Prestolite	Original	Prestolite
A004TR5893 T	861344	A4TR5791	861341	M009T64171	M90R3547SE	M9T64171	M90R3547SE
A004TR5894	861344	A4TR5791AM	861341	M009T64371	M90R3553SE	M9T64371	M90R3553SE
A004TR5894 T	861344	A4TR5791 T	861341	M009T64791	M90R3538SE	M9T64791	M90R3538SE
A009TU5591	A009TU5591A	A4TR5792	861342	M009T64971	M90R3538SE	M9T64971	M90R3538SE
A009TU5591A	A009TU5591A	A4TR5792 T	861342	M009T64971AM	M90R3538SE	M9T64972	M90R3538SE
A009TU5591AAM	A009TU5591A	A4TR5794	861340	M009T64972	M90R3538SE	M9T65271	M90R3553SE
A009TU5591AM	A009TU5591A	A4TR5794 T	861340	M009T64972AM	M90R3538SE	M9T66171	M90R3553SE
A009TU5591 T	A009TU5591A	A4TR5891	861344	M009T65271	M90R3553SE	M9T66372	M90R3547SE
A009TU6499	A009TU6499	A4TR5891AM	861344	M009T66171	M90R3553SE	M9T66373	M90R3547SE
A009TU6499AM	A009TU6499	A4TR5891 T	861344	M009T66372	M90R3547SE	M9T80472	M105R3031SE
A3TA8491	860561	A4TR5892	861344	M009T66373	M90R3547SE	M9T80473	M105R3031SE
A3TA8791	861077	A4TR5893 T	861344	M009T80471	M105R3031SE	M9T81979	860512GB
A4TA0591	860710GBA	A4TR5894	861344	M009T80472	M105R3031SE	M9T82172	M105R3509SE
A4TA0591	861285	A4TR5894 T	861344	M009T80473	M105R3031SE	M9T82173	M105R3509SE
A4TA0592	860712GBA	A9TU5591	A009TU5591A	M009T81979	860512GB	M9T82174	M105R3509SE
A4TA0592	861286	A9TU5591A	A009TU5591A	M009T82172	M105R3509SE	M9T82479	M105R3502SE
A4TA0594	860706GBA	A9TU5591 T	A009TU5591A	M009T82173	M105R3509SE	M9T82671	M105R3509SE
A4TA0594	861284	A9TU6499	A009TU6499	M009T82174	M105R3509SE	M9T82672	M105R3509SE
A4TA8191	861077	M002T80582	S1071B	M009T82479	M105R3502SE	M9T83671	M105R3031SE
A4TA8291	861285	M002T84771	S1071B	M009T82671	M105R3509SE	M9T84771	M105R3031SE
A4TA8292	861286	M002TS0575AM	M90R3557SE	M009T82672	M105R3509SE	M9T85371	M105R3031SE
A4TA8391	861343	M004T95481	M105R3502SE	M009T83671	M105R3031SE	M9T85471	M105R3131SE
A4TA8491	861285	M007T03774	M105R3503SE	M009T84771	M105R3031SE	MK667723	860810GB
A4TA8491	861286	M007T03774	MS1-410A	M009T85371	M105R3031SE	MK667723	AVI147S3108HD
A4TA8492	861286	M007T03777	M105R3503SE	M009T85471	M105R3131SE	MOTOROLA	
A4TA8492A	861286	M007T03777	MS1-410A	M2T80582	S1071B	10298	8SC3133U
A4TA8494	860706GBA	M008T62671	860813	M2T84771	S1071B	10316	8SC3133U
A4TA8494	861284	M008T62671	M85R3003SE	M2TS0575AM	M90R3557SE	510372	858783
A4TA8591	861077	M008T62671AM	M85R3003SE	M4T95481	M105R3502SE	510427	861001
A4TA8691	861343	M009T20171	M105R3031SE	M7T03777	M105R3503SE	9AR3927G	858783
A4TA8691AM	861343	M009T61171	M90R3557SE	M7T03777	MS1-419A	9AR3987G	859020
A4TR5391	861078	M009T61471	M90R3538SE	M8T62671	860813	9AR6025K	858882
A4TR5392	861291	M009T61471	M90R3556SE	M8T62671	M85R3003SE	MTU	
A4TR5392AM	861291	M009T61471AM	M90R3538SE	M8T62671AM	M85R3003SE	0051519901	M105R3502SE
A4TR5392 T	861291	M009T61471AM	M90R3556SE	M9T20171	M105R3031SE	0051519901	MS1-401A
A4TR5393	861078	M009T61472	M90R3538SE	M9T61171	M90R3557SE	0091545402	1277A750
A4TR5491	861079	M009T61472AM	M90R3538SE	M9T61471	M90R3556SE	0091547102	860558
A4TR5491AT	861079	M009T61473	M90R3538SE	M9T61471AM	M90R3556SE	54417200005	AVI147 3110HD
A4TR5491 T	861079	M009T61473AM	M90R3538SE	M9T61472	M90R3538SE	57517200001	M105R3015SE
A4TR5591	861078	M009T61474	M90R3538SE	M9T61473	M90R3538SE	757517200008	M105R3007SE
A4TR5591 T	861078	M009T61474AM	M90R3538SE	M9T61474	M90R3538SE	MWM	
A4TR5592 T	861291	M009T61971	M90R3548SE	M9T61971	M90R3548SE	605710100112	861001
A4TR5593	861078	M009T62071	M90R3548SE	M9T62071	M90R3548SE	605710100146	861001
A4TR5593 T	861078	M009T62171	M90R3547SE	M9T62171	M90R3547SE	605720100016	860660GB
A4TR5691	861298	M009T62172	M90R3547SE	M9T62172	M90R3547SE	605720100043	860547GB
A4TR5691AM	861298	M009T62173	M90R3547SE	M9T62173	M90R3547SE	605720100101	860547GB
A4TR5691 T	861298	M009T62174	M90R3547SE	M9T62174	M90R3547SE	605720520005	860660GB
A4TR5693	861079	M009T62971	M90R3548SE	M9T62971	M90R3548SE	905710100056	860807GB

Original	Prestolite	Original	Prestolite	Original	Prestolite	Original	Prestolite
NEOPLAN		A14N112M	858884	SG12B020	860561	OD195281	66021507
11075349	1286B570	A14N119M	858884	SG12B045	860561	OD196021	66021507
11080818	1277A640	A14N133	858882	PERKINS		OD200631	M105R3503SE
11080819	1277A720	A14N135	860157	2783A030	20500968	OD200631	MS1-410A
11128653	1277A760	A14N135	860560	2871256	M105R3502SE	OD200634	M105R3503SE
11157979	1277A760	A14N138	860560	2871686	859020	OD200634	MS1-410A
36261016002	1277A720	A14N141	858884	2871723	66021507	OD203961	M105R3503SE
36261016003	1277A640	A14N160	860560	2871740	66021507	OD203961	MS1-410A
36261016009	1277A760	A14N205	860560	2871A002	66021507	OD203964	M105R3503SE
NIKKO		A14N39	858882	2871A003	66021507	OD203964	MS1-410A
0230002030	860318	A14N81M	858884	2871A008	1277A730	OD203971	M105R3503SE
0230002350	860321	A14R33	858882	2871A682	66021507	OD203971	MS1-410A
0230002350	M93R3066SE	D11E122	861039	2871C201	860167	OD203974	M105R3503SE
0230002470	860318	D11E122	M93R3104SE	2873001	20500968	OD203974	MS1-410A
NISSAN		D11E122T	861039	2873001R	20500968	OD20801	66021507
23100LA5MA	860810GB	D11E122T	M93R3104SE	2873002	20500137	OD208222	66021507
23100LA5MA	AVI147S3108HD	D11E99	861039	2873002T	20500137	OD218571	M105R3503SE
23300LA4MA	860716	D11E99	M93R3104SE	2873006	20500137	OD218571	MS1-410A
23300LA4MA	M93R3059SE	D11E99T	861039	2873306	1327A411	OD218574	M105R3503SE
OPTARE		D11E99T	M93R3104SE	2873306R	1327A411	OD218574	MS1-410A
L2850146	MS4-401	D13E107	860507GB	2873309	1327A411	OE51421	M105R3503SE
SE3000022	860321	D13E107TE	860507GB	2873A001	20500968	OE51421	MS1-410A
SE3000022	M93R3066SE	D13E110	860507GB	2873A030	20500968	OE51422	M105R3503SE
SE34R0121	860807GB	D13E110TE	860507GB	2873B056	20500968	OE51422	MS1-410A
2804412	860608	D13E111	860507GB	2873B056R	20500968	OE52762	M105R3503SE
2856815	MS4-401	D13E117	860507GB	2873B071	20500968	OE52762	MS1-410A
PARIS-RHONE		D13E118	860507GB	2873D301	861036	OE52763	M105R3503SE
102334	858882	D13E119TE	860507GB	2873K063	1327A411	OE52763	MS1-410A
105473	858884	D13E123	860507GB	2873K116	M105R3503SE	OE52773	66021507
2105473	858884	D13E123TE	860507GB	CH12405	M105R3502SE	5802F6	S1071B
2180475	860560	D13E63	860660GB	CV21023	1277A740	5802F7	S1071B
2180620	858884	D13E63T	860660GB	CV65429	M105R3503SE	5802H5	S1071B
2518044	20100719	D13E69	860660GB	CV65429	MS1-410A	5802H6	S1071B
2518046	20100719	D13E69T	860660GB	CV65432	M105R3503SE	5802M5	S1071B
76517	861039	D13E77T	M105R3503SE	CV65432	MS1-410A	PRESTOLITE ELECTRIC	
76517	M93R3104SE	D13E77T	MS1-410A	CV70187	1277A730	110184	8SC3157V
A13N236	860167	D13E81	860660GB	OD166001	MS3-502	110258	8SC3157V
A13N23N	860167	D13E81T	860660GB	OD167172	66021507	110258A	8SC3157V
A13V02	20100719	D13HP605	860507GB	OD167401	M105R3503SE	110298	8SC3133U
A13V05	20100719	D13HP703	860507GB	OD167401	MS1-410A	110306	8SC3200V
A13V07	20100719	D6RA168	20500185	OD167404	M105R3503SE	110308	8SC3200V
A13VI134	20110217	D6RA68	20500185	OD167404	MS1-410A	110459	8LHA3096U
A13VI175	20110217	D7R19	S1053B	OD174991	66021507	110568	8SC3200V
A13VI74	20110217	D7R28	S1053B	OD174992	66021507	110575	8SC3200V
A13VI99	20110217	D7R281	S1053B	OD174993	66021507	110576	8SC3200V
A14N100M	858884	D7R57	S1071B	OD174994	66021507	110816	BLP3312
A14N104	860560	D9R141	20500534	OD182651	66021507	110872	860558
A14N104M	860560	ND146	860507GB	OD18580	66021507	1263020	66021507

Original	Prestolite	Original	Prestolite	Original	Prestolite	Original	Prestolite
1263B313	66021507	1277740	1277A740	1286000	1286B000	20100723	20100723
1263B317	66021507	1277750	1277A750	1286000	880703B	20100924	861001
1266450	66021507	1277760	1277A760	1286010	1286B010	20100988	20100719
1266460	66021507	1277810	1277A810	1286010	880712B	20110192	20110217
1266500	66021507	1277840	1277A840	1286500	1286B500	20110217	20110217
1266530	66021507	1277A640	1277A640	1286500	880704B	20130237	20130237
1266580	66021507	1277A650	1277A650	1286510	1286B510	20500106	20500106
1266690	66021507	1277A670	1277A670	1286510	880725B	20500137	20500137
1266720	66021507	1277A680	1277A680	1286560	1286B560	20500162	20500137
1268410	66021507	1277A690	1277A690	1286560	880731B	20500185	20500185
1268470	66021507	1277A700	1277A700	1286570	1286B570	20500195	20500968
1268500M	66021507	1277A720	1277A720	1286580	1286B580	20500305	20500137
1268520	66021507	1277A730	1277A730	1286590	1286B590	20500534	20500534
1268560	66021507	1277A740	1277A740	1286590S	1286B590	20500673	20500673
1268580	66021507	1277A750	1277A750	1286620	1286700	20500923	M93R3004SE
1268590	66021507	1277A760	1277A760	1286670	1286B670	20500923GB	M93R3004SE
1268590C	66021507	1277A810	1277A810	1286690	1286B690	20500968	20500968
1268590M	66021507	1277A840	1277A840	1286700	1286700	20500976T	20500976T
1268600M	66021507	1277A870	1277A870	1286B000	1286B000	20510108	S1071B
1268610	66021507	1277A880	1277A880	1286B000	880703B	20510202A	20510202A
1268650M	66021507	1277A890	1277A890	1286B010	1286B010	20513043	20513043
1268650MC	66021507	1277A900	1277A730	1286B500	1286B500	20513047A	20513047A
1268660	66021507	1283200	1283211	1286B500	880704B	20513055	20513055
1268700	66021507	1283210	1283211	1286B510	1286B510	20540101	20540101
1277360	1277A810	1283211	1283211	1286B560	1286B560	20540102	20540102
1277420	1277A810	1283232	1283232	1286B570	1286B570	20540103	20540103
1277440	1277A810	1284002	880700	1286B580	1286B580	2605033	8LHA3013UC03
1277441	1277A810	1284005	880636	1286B590	1286B590	2605034	AVI144B2008
1277450	1277A810	1284008	880700	1286B640	1286B640	2605035	F 276L
1277451	1277A810	1284105	880636	1286B670	1286B670	2605036	AVE2716H1
1277480	1277A730	1285515	880641	1286B690	1286B690	2605048	AVI144B2008
1277490	1277A730	1285523	1285523	1321020	1327A411	2605097	M105R3502SE
1277490C	1277A730	1285523	880640	1321021	1327A411	2800LC	A0012800LC
1277500	1277A740	1285525	880701	1321F021	1327A411	35259450	861036
1277500C	1277A740	1285527	1285527	1321F022	1327A411	35260830	M105R2511SE
1277520	1277520	1285527	880641	1321G022	1327A411	35260840	M105R2511SE
1277530	1277A730	1285529	880701	1321H022	1327A411	35260900	M105R2511SE
1277600	1277A730	1285531	1285531	1327580	1327A581	35260910	M105R2511SE
1277610	1277A750	1285531	880701	1327581	1327A581	35261000	861036
1277620	1277A740	1285533	880701	1327A410	1327A411	35261130	861036
1277640	1277A640	1285600	1285600	1327A411	1327A411	35261280	M105R2511SE
1277650	1277A650	1285600	880642	1327A581	1327A581	35261440	857472GB
1277670	1277A670	1285602	880718	1327A710	1327A581	35261450	861036
1277680	1277A680	1285610	880718	1343750	M105R3509SE	35262410	M96R3019SE-A
1277690	1277A690	1285622	1285622	1403000	860508GB	35262930	860321
1277700	1277A700	1285622	880718	1490377	MS3-504	35262930	M93R3066SE
1277720	1277A720	1286000	1286B000	20100719	20100719	4836LGH	A0014836LGH
1277730	1277A730	1286000	880703B	20100721	20100721	4867 B	A0014867 B

Original	Prestolite	Original	Prestolite	Original	Prestolite	Original	Prestolite
PRESTOLITE ELECTRIC		855694	MS1-401A	858373	M105R3503SE	858780	861036
4949PA	A0014949PA	855698	M105R3503SE	858373	MS1-410A	858780GB	861036
65244	6524-4	855698	MS1-410A	858441	M105R3502SE	858780	861036
66021507	66021507	855705	M105R3502SE	858441	M105R3502SE	858783	858783
66925089	20500968	855707	M105R3503SE	858442	M105R3502SE	858783	858783
850277	M105R3503SE	855707	MS1-410A	858442	MS1-401A	858878	860512GB
850277	MS1-410A	855707	M105R3503SE	858442	M105R3502SE	858879	860505GB
850277	M105R3503SE	855707	MS1-410A	858442	MS1-401A	858880	858884
850277	MS1-410A	855740	M105R3503SE	858443	MS1-302A	858881	860500GB
850461	MS3-502	855740	MS1-419A	858443	MS1-302A	858882	858882
850461	MS3-502	855746	MS1-411A	858444	MS1-403A	858882	858882
850615	MS3-502	855873	MS3-502	858444	MS1-403A	858883	860546GB
850615	MS3-502	855897	M105R3503SE	858445	M105R3503SE	858884	858884
850811	M105R3503SE	855897	MS1-419A	858445	MS1-410A	858884	858884
850811	MS1-419A	856766	MS4-401	8584452	M105R3503SE	858889	M105R3503SE
850811	M105R3503SE	856766	MS4-401	8584452	MS1-410A	858889	MS1-419A
850811	MS1-419A	856874	MS1-407A	858445	M105R3503SE	858889	M105R3503SE
851002	M105R3503SE	856954	MS1-411A	858445	MS1-410A	858889	MS1-419A
851002	MS1-410A	857265	860608	858448	MS1-407A	858979	M105R3502SE
851062	M105R3502SE	857287	860608	858448	MS1-407A	858979	MS1-401A
851062	M105R3502SE	857287	860608	858451	M105R3503SE	859020	859020
851078	M105R3502SE	857466	860500GB	858451	MS1-410A	859020	859020
851078	MS1-401A	857468	860506GB	8584512	M105R3503SE	859021	860509GB
851082	MS1-302A	857470	860508GB	8584512	MS1-410A	859261	MS3-503
851121	MS1-302A	857471	860546GB	8584512	M105R3503SE	8592612	MS3-503
851122	M105R3502SE	857472	857472GB	8584512	MS1-410A	859261	MS3-503
851122	MS1-401A	857472GB	857472GB	858451	M105R3503SE	859284	M105R3502SE
851122	M105R3502SE	857472	857472GB	858451	MS1-410A	859327	66021507
851122	MS1-401A	857473	860548GB	858506	MS1-411A	859327	66021507
851124	M105R3502SE	857475	858783	858506	MS1-411A	859327	66021507
851124	M105R3502SE	857479	858783	858553	MS1-411A	859344	M105R3503SE
851339	MS1-403A	857612	66021507	858553	MS1-411A	859344	MS1-410A
851360	MS3-502	857621	66021507	858617	M105R3502SE	859411	MS4-401
851539	MS1-411A	857621	66021507	858617	MS1-401A	859411	MS4-401
852563	M105R3503SE	857626	66021507	858624	M105R3503SE	859422	MS4-401
852563	MS1-410A	857626	66021507	858624	MS1-410A	859437	66021507
854082	MS3-502	857633	66021507	858625	M105R3503SE	859437	66021507
854265	860608	857663	MS3-503	858625	MS1-410A	859438	66021507
854265	860608	857663	MS3-503	858693	66021507	859440	66021507
854477	66021507	858085	66021507	858693	66021507	859440	66021507
854494	66021507	858085	66021507	858712	M105R3503SE	859470	M105R3502SE
854667	M105R3503SE	858217	MS4-400	858712	MS1-410A	859470	MS1-401A
854667	MS1-410A	858317	861038	858712	M105R3503SE	859471	M105R3502SE
855682	MS1-411A	858317	861038	858712	MS1-410A	859471	M105R3502SE
855682	MS1-411A	858318	861037	858754	20500137	859477PB	8SC3157V
855689	M105R3502SE	858318	861037	858773	859020	859484PB	M105R3502SE
855689	MS1-401A	858319	860515GB	858778	861036	859484PB	MS1-401A
855694	M105R3502SE	858320	860817	858779	20500534	859485PB	M105R3502SE

Cross-Reference

Original	Prestolite	Original	Prestolite	Original	Prestolite	Original	Prestolite
859485PB	MS1-401A	860152	861001	860511	860511GB	860705	860615
859490PB	8SC3133U	860155	859020	860511GB	860511GB	860706	860706GBA
859500	MS4-401	860155	859020	860512	860512GB	860706GB	860706GBA
859532	MS4-400	860157	860157	860512GB	860512GB	860706GBA	860706GBA
859532K	MS4-400	860157	860560	860515	860515GB	860710	860710GBA
859532	MS4-400	860157	860157	860515GB	860515GB	860710GB	860710GBA
859544	66021507	860157	860560	860516	860516GB	860710GBA	860710GBA
859544	66021507	860166	1277A640	860516GB	860516GB	860712	860712GBA
859605	66021507	860166	1277A640	860518	860518GB	860712GB	860712GBA
859839PB	MS4-401	860167	860167	860518GB	860518GB	860712GBA	860712GBA
859839	MS4-401	860167	860167	860544	860544GB	860716	860716
859970	MS4-401	860170	1277A640	860544GB	860544GB	860716	860716
859970	MS4-401	860170	1277A640	860545	860545GB	860716	M93R3059SE
859982	860157	860174	859020	860545GB	860545GB	860804	860804GB
859982	860560	860304	M93R3091SE	860546	860546GB	860804GB	860804GB
859983	860562	860305	860305	860546GB	860546GB	860807	860807GB
860102	M93R3004SE	860305	860544GB	860547	860547GB	860807GB	860807GB
860103	861039	860306	860557	860547GB	860547GB	860808	860808GB
860103	M93R3104SE	860306	860557	860548	860548GB	860808GB	860808GB
860103	861039	860307	858783	860548GB	860548GB	860809	860809GB
860103	M93R3104SE	860307	858783	860549	860305	860809GB	860809GB
860107	860818	860318	860318	860551	860551	860810	860810GB
860107	860818	860321	860321	860557	860557	860810GB	860810GB
860110	860512GB	860321	M93R3066SE	860558	860558	860811	860811GB
860113	860545GB	860321	860321	860559	860559	860811GB	860811GB
860121	860504GB	860321	M93R3066SE	860560	860560	860813	860813
860122	860658	860322	860615	860561	860561	860813	M85R3003SE
860123	860507GB	860322	860615	860562	860562	860817	860817
860125	860516GB	860334	MS1-403A	860563	860563	860818	860818
860126	860545GB	860340	860340	860601	860608	860822	M90R3556SE
860131	860660GB	860360	MS4-407	860606	MS4-400	861001	861001
860132	860506GB	860360	MS4-407	860608	860608	861036	861036
860134	860560	860362	MS4-405	860615	860615	861037	861037
860134	860560	860500	860500GB	860618	860618	861038	861038
860135	858884	860500GB	860500GB	860621	860710GBA	861039	861039
860135	858884	860504	860504GB	860621	861285	861066	861066GB
860136	861001	860504GB	860504GB	860622	860712GBA	861066GB	861066GB
860137	858783	860505	860505GB	860622	861286	861077	861077
860138	1277A700	860505GB	860505GB	860653	860653	861078	861078
860139	20100719	860506	860506GB	860657	860657GB	861079	861079
860139	20100721	860506GB	860506GB	860657GB	860657GB	861279	861279GB
860139	20100721	860507	860507GB	860658	860658	861279GB	861279GB
860143	860143	860507GB	860507GB	860660	860660GB	861284	861284
860143	860143	860507	860507GB	860660GB	860660GB	861285	861285
860148	858783	860508	860508GB	860667	860667GB	861286	861286
860151	860558	860508GB	860508GB	860667GB	860667GB	861291	861291
860151	860558	860509	860509GB	860674	860674GB	861293	M85R3003SE
860152	861001	860509GB	860509GB	860674GB	860674GB	861294	M85R3003SE

Original	Prestolite	Original	Prestolite	Original	Prestolite	Original	Prestolite
PRESTOLITE ELECTRIC		880704	1286B500	8RC30007	8SC3133U	8SC3141VCB36	8SC3141VC
861298	861298	880704	880704B	8SC3005V	8SC3157V	8SC3141VCB4	8SC3141VC
861309	861309	880705	1277A730	8SC3009	8SC3157V	8SC3141VCB42	8SC3141VC
861311	861311	880706	1277A740	8SC3009 A	8SC3157V	8SC3141VCB43	8SC3141VC
861315	861279GB	880712B	1286B010	8SC3014U	8SC3133U	8SC3141VCB63	8SC3141VC
861316	860809GB	880712B	880712B	8SC3014US	8SC3133U	8SC3141VCB7	8SC3141VC
861317	860810GB	880712	1286B010	8SC3017V	8SC3200V	8SC3141VCB7A	8SC3141VC
861319	861066GB	880712	880712B	8SC3017VA	8SC3200V	8SC3141VCB7A	8SC3238VC
861320	M90R3543SE	880718	880718	8SC3018V	8SC3200V	8SC3141VCB8	8SC3141VC
861322	M90R3544SE	880721	1277520	8SC3018VA	8SC3200V	8SC3141VCD1	8SC3238VC
861323	M93R3091SE	880723	1277A740	8SC3110V	8SC3200V	8SC3150VC	8SC3110VC
861326	861326	880724	1277A730	8SC3110VC	8SC3110VC	8SC3150VC30	8SC3110VC
861330	861330	880725B	880725B	8SC3110VC	8SC3200V	8SC3150VC30A	8SC3110VC
861331	861331	880725	1286B510	8SC3110VC09	8SC3110VC	8SC3150VC95	8SC3110VC
861332	861332	880725	880725B	8SC3110VC111	8SC3110VC	8SC3151VC	1277A730
861333	861333	880727	1277A730	8SC3110VC117	8SC3110VC	8SC3151VCA49	8SC3110VC
861334	861334	880728	1277A740	8SC3110VC118	8SC3110VC	8SC3151VCA59	8SC3110VC
861335	861335	880731B	1286B560	8SC3110VC120	8SC3110VC	8SC3151VCA7	8SC3110VC
861336	861336	880731B	880731B	8SC3110VC120E	8SC3110VC	8SC3151VCA77	8SC3110VC
861338	861338	8LHA3013UC03	8LHA3013UC03	8SC3110VC17	8SC3110VC	8SC3151VCB7	8SC3110VC
870648	1327A411	8LHA3096CU29	8LHA3096UC	8SC3110VC18	8SC3110VC	8SC3157V	8SC3157V
870665	1327A581	8LHA3096U	8LHA3096U	8SC3110VC23	8SC3110VC	8SC3200V	8SC3200V
870668	860508GB	8LHA3096U05	8LHA3096UC	8SC3110VC37	8SC3110VC	8SC3207V	8SC3200V
880624	66021507	8LHA3096UC	8LHA3096U	8SC3110VC39	8SC3110VC	8SC3238VC	8SC3238VC
880624	66021507	8LHA3096UC	8LHA3096UC	8SC3110VC40	8SC3110VC	8SC3238VC02	8SC3238VC
880626	66021507	8LHA3096UC02	8LHA3096UC	8SC3110VC42	8SC3110VC	8SC3238VC03	8SC3238VC
880626	66021507	8LHA3096UC06	8LHA3096UC	8SC3110VC43	8SC3110VC	8SC3238VC06	8SC3238VC
880627	66021507	8LHA3096UC07	8LHA3096UC	8SC3110VC64	8SC3110VC	8SC3238VC07	8SC3238VC
880627	66021507	8LHA3096UC14	8LHA3096UC	8SC3110VC65	8SC3110VC	8SC3238VC11	8SC3238VC
880628	66021507	8LHA3096UC22	8LHA3096UC	8SC3110VC79	8SC3110VC	8SC3238VC11A	8SC3238VC
880628	66021507	8LHA3096UC23	8LHA3096UC	8SC3110VC80	8SC3110VC	8SC3238VC17	8SC3238VC
880629	66021507	8LHA3096UC24	8LHA3096UC	8SC3110VC81S	8SC3110VC	8SC3238VC18	8SC3238VC
880629	66021507	8LHA3096UC29	8LHA3096UC	8SC3110VC83	8SC3110VC	8SC3238VC19	8SC3238VC
880632SB	1277A810	8LHA3096UC35	8LHA3096UC	8SC3110VC91	8SC3110VC	8SC3238VC21	8SC3238VC
880632	1277A810	8LHA3096UC36	8LHA3096U	8SC3110VC94	8SC3110VC	8SC3238VC29	8SC3238VC
880636	880636	8LHA3096UC36	8LHA3096UC	8SC3110VC98	8SC3110VC	8SC3238VC36	8SC3238VC
880640	880640	8LHA3096UC38	8LHA3096UC	8SC3110VCH114	8SC3110VC	8SC3238VC39	8SC3238VC
880641	880641	8LHA3096UC45	8LHA3096UC	8SC3112V	8SC3200V	8SC3238VC40	8SC3238VC
880642	880642	8LHA3096UC73	8LHA3096UC	8SC3127V	8SC3200V	8SC3238VC50	8SC3238VC
880648	66021507	8LHA3096UC74	8LHA3096UC	8SC3133U	8SC3133U	8SC3238VC61	8SC3238VC
880700	880700	8LHA3096UC75	8LHA3096UC	8SC3141TRA6A	8SC3141VC	8SC3238VC63	8SC3238VC
880701	880701	8LHA3096UC76	8LHA3096UC	8SC3141VC	8SC3141VC	8SC3238VC64	8SC3238VC
880703B	1286B000	8LHA3096UC91	8LHA3096UC	8SC3141VCA1	8SC3141VC	8SC3238VC74	8SC3238VC
880703B	880703B	8LHA3096UCE11	8LHA3096UC	8SC3141VCA35	8SC3141VC	8SC3238VC83	8SC3238VC
880703	1286B000	8LHA3096UCE22	8LHA3096UC	8SC3141VCA57	8SC3141VC	8SC3238VCB15	8SC3238VC
880703	880703B	8LHA3096UCE74	8LHA3096UC	8SC3141VCB11	8SC3141VC	8SC3238VCB21	8SC3238VC
880704B	1286B500	8LHA3096UCU29	8LHA3096UC	8SC3141VCB2	8SC3141VC	8SC3238VCB34	8SC3238VC
880704B	880704B	8LHA3208U	8LHA3096U	8SC3141VCB34	8SC3141VC	8SC3238VCB36	8SC3238VC

Original	Prestolite	Original	Prestolite	Original	Prestolite	Original	Prestolite
8SC3238VCB37	8SC3238VC	AC172RA370A	1277A730	F 2710F	F 2710F	M105R3502SE	M105R3502SE
8SC3238VCB52	8SC3238VC	AC172RA375A	1277A730	F 275	F 275	M105R3502SE	MS1-401A
8SC3238VCB7A	8SC3238VC	AC172RA456A	1277A730	F 276L	F 276L	M105R3502SE2A	M105R3502SE
8SC3238VCD1	8SC3238VC	AC172TRA18B	1277A720	F 276W	F 276W	M105R3503SE	M105R3503SE
8SC3238VCF11	8SC3238VC	AC172TRA6A	1277A680	F 291D9	F 291D9	M105R3505SE	MS1-410A
8SC3238VCG68	8SC3238VC	AC203060248	880700	F 295D	F 295D	M105R3507SE	M90R3557SE
8SC3238VCH06	8SC3238VC	AC203R060245	880636	LBA3067	8LHA3096U	M105R3509SE	M105R3509SE
8SC3238VCH07	8SC3238VC	AC203R080245	880636	LNA5524	66021507	M81R2501	M81R2501
8SC3238VCH33	8SC3238VC	AC203R1152422	880640	LNA55240	66021507	M81R2502	M81R2502
8SC3238VCH36	8SC3238VC	AC203R1152425	880641	LNA55241	66021507	M81R3001	M81R3001
8SC3238VCH84	8SC3238VC	AC203R1152429	880701	LNA552412	66021507	M85R3003SE	M85R3003SE
8SC3238VCS6	8SC3238VC	AC203R1802413	880642	LNA55242	66021507	M90R3510SE	M90R3510SE
A0012800LC	A0012800LC	AC203R1802432	880718	LNA55243	66021507	M90R3538SE	M90R3538SE
A0014836LGH	A0014836LGH	AC5242	66021507	LNA55247	66021507	M90R3543SE	M90R3543SE
A0014867 B	A0014867 B	AC5RS24	66021507	LNS4524	MS4-405	M90R3544SE	M90R3544SE
A0014949PA	A0014949PA	AVE2119	AVE2119-E	LNS452411	MS4-400	M90R3545SE	M90R3545SE
A0014962PA	A0014962PA	AVE2119E	AVE2119-E	LNS452421	MS4-401	M90R3547SE	M90R3547SE
A009TU5591A	A009TU5591A	AVE2716H1	AVE2716H1	LNS452424	MS4-401	M90R3548SE	M90R3548SE
A009TU6499	A009TU6499	AVI136A101	AVI136A101	LNS452426	MS4-401	M90R3553SE	M90R3553SE
A24R12	860608	AVI1441F11	AVI1441F11	LNS452431	MS4-407	M90R3556SE	M90R3556SE
A24R13	860608	AVI144B2008	AVI144B2008	LNS45246	MS4-401	M90R3557SE	M90R3557SE
A55242	66021507	AVI147E3005	AVI147S3108HD	M0017511ME	M105R3502SE	M90R3560SE	M90R3538SE
A552430	66021507	AVI147 3110HD	AVI147 3110HD	M100R2008SE	M100R2008SE	M93R3001SE	M93R3001SE
A552437	66021507	AVI147 3120HD	AVI147 3120HD	M100R3002SE	M100R3002SE	M93R3002SE	M93R3002SE
A552440	66021507	AVI147S3008HD	AVI147S3108HD	M105431	M105R3031SE	M93R3003SE	M93R3003SE
A552446	66021507	AVI147S3010HD	AVI147 3110HD	M105611	M105R2511SE	M93R3004SE	M93R3004SE
A552456	66021507	AVI147S3020HD	AVI147 3120HD	M105702	M105R3502SE	M93R3011SE	M93R3011SE
A552458	66021507	AVI147S3108HD	AVI147S3108HD	M105703	M105R3503SE	M93R3013SE	M93R3013SE
AC172RA301A	1277A730	AVI160 2004	AVI160 2004	M105R2511SE	M105R2511SE	M93R3014SE	M93R3014SE
AC172RA301B	1277A740	AVI160 2008	AVI160 2008	M105R3001SE	M105R3001SE	M93R3016SE	M93R3016SE
AC172RA302A	1277A730	AVI160 20081	AVI160 2008	M105R3002SE	M105R3002SE	M93R3026SE	M93R3026SE
AC172RA307B	1277A740	AVI160P2003	AVI160P2003	M105R3003SE	M105R3003SE	M93R3042SE	M93R3042SE
AC172RA308A	1277A730	AVIC2002	AVIC2002	M105R3004SE	M105R3004SE	M93R3045SE	M93R3016SE
AC172RA308B	1277A740	BCA3920	860558	M105R3007SE	M105R3007SE	M93R3059SE	860716
AC172RA321B	1277A740	BLP3300H2	BLP3312	M105R3011SE	M105R3011SE	M93R3059SE	M93R3059SE
AC172RA327B	1277A740	BLP3312	BLP3312	M105R3015SE	M105R3015SE	M93R3066SE	860321
AC172RA331A	1277A730	CA45C242	1327A411	M105R3017SE	M105R3001SE	M93R3066SE	M93R3066SE
AC172RA332B	1277A740	CA45D242	1327A411	M105R3019SE	M105R3019SE	M93R3091SE	M93R3091SE
AC172RA333B	1277A740	CA45F242	1327A411	M105R3020SE	M105R3020SE	M93R3104SE	M93R3104SE
AC172RA338A	1277A730	CA45G242	1327A411	M105R3021SE	M105R3021SE	M96R3014SE	M96R3019SE-A
AC172RA339A	1277A730	CA45H242	1327A411	M105R3022SE	M105R3022SE	M96R3019SE	M96R3019SE-A
AC172RA342B	1277A740	DR03	DR-03	M105R3023SE	M105R3023SE	M96R3019SEA	M96R3019SE-A
AC172RA343B	1277A740	GR4518	MS4-400	M105R3024SE	M105R3024SE	M97R3013SE	M97R3013SE
AC172RA345A	1277A730	GR452	MS4-401	M105R3027SE	M105R3027SE	M97R3014SE	M97R3014SE
AC172RA346B	1277A740	GR459	MS4-404	M105R3031SE	M105R3031SE	MDA3920	860558
AC172RA356A	1277A730	F 2101SC	F 2101S-C	M105R3038SE	MS3-504	MS1100	M105R3502SE
AC172RA357A	1277A730	F 2105D	F 2105D	M105R3059SE	M105R3007SE	MS1101	M105R3502SE
AC172RA363B	1277A740	F 2110D3	F 2110D3	M105R3131SE	M105R3131SE	MS1101	MS1-401A

Original	Prestolite	Original	Prestolite	Original	Prestolite	Original	Prestolite
PRESTOLITE ELECTRIC		MS1341A	M105R3502SE	MS33	MS3-502	PBNS0132	20500106
MS1102	MS1-302A	MS1400	M105R3502SE	MS3351A	MS3-503	PBNS0137	20500137
MS1103	MS1-403A	MS1400C	M105R3502SE	MS341	MS3-502	PBNS0162	20500137
MS1104	M105R3503SE	MS1401	M105R3502SE	MS3451A	MS3-503	PBNS0185	20500185
MS1104	MS1-410A	MS1401	MS1-401A	MS3451A	MS3-503	PBNS0195	20500968
MS1110	M105R3503SE	MS1401A	M105R3502SE	MS3458A	MS3-503	PBNS0304	20500673
MS1110	MS1-410A	MS1401A	MS1-401A	MS3502	MS3-502	PBNS0534	20500534
MS1111	MS1-411A	MS1401C	M105R3502SE	MS3503	MS3-503	PBNS0633	861039
MS1114	MS1-411A	MS1401C	MS1-401A	MS3504	M105R3001SE	PBNS0633	M93R3104SE
MS1119	M105R3503SE	MS1401E	M105R3502SE	MS3504	MS3-504	PBNS0673	20500673
MS1119	MS1-410A	MS1401E	MS1-401A	MS3505	MS3-505	PBNS0690	860504GB
MS1122	M105R3503SE	MS1403A	MS1-403A	MS3509	M105R3004SE	PBNS0746	860515GB
MS1122	MS1-419A	MS1404P	M105R3503SE	MS351	MS3-503	PBNS0747	861037
MS1124	M105R3502SE	MS1404P	MS1-410A	MS358	MS3-503	PBNS0764	860505GB
MS1124	MS1-401A	MS1407A	MS1-407A	MS4400	MS4-400	PBNS0765	860818
MS1129	M105R3502SE	MS1407A	MS1-407A	MS4400	MS4-400	PBNS0767	860512GB
MS1130	M105R3503SE	MS1410A	M105R3503SE	MS4401	MS4-401	PBNS0816	20500534
MS1130	MS1-410A	MS1410A	MS1-410A	MS4401	MS4-401	PBNS0818	861036
MS1133	M105R3502SE	MS1410P	M105R3503SE	MS4404	MS4-404	PBNS0819	860508GB
MS1133	MS1-401A	MS1410P	MS1-410A	MS4405	MS4-405	PBNS0825	860506GB
MS1134	M105R3502SE	MS1411A	MS1-411A	MS4407	MS4-407	PBNS0841	860817
MS1134	MS1-401A	MS1419A	MS1-419A	OMS126	860318	PBNS0878	860548GB
MS1135	M105R3502SE	MS1422	M105R3503SE	PBNA0474	858884	PBNS0883	860500GB
MS1135	MS1-401A	MS1422	MS1-419A	PBNA0625	858783	PBNS0920	20500534
MS1136	M105R3502SE	MS1422A	M105R3503SE	PBNA0717	20100719	PBNS0922	860508GB
MS1136	MS1-401A	MS1422A	MS1-419A	PBNA0719	20100719	PBNS0923	M93R3004SE
MS1137	M105R3502SE	MS1443E	M105R3502SE	PBNA0720	20100719	PBNS0925	861038
MS1137	MS1-401A	MS1443E	MS1-401A	PBNA0721	20100719	PBNS0930	857472GB
MS1138	M105R3502SE	MS1449A	M105R3502SE	PBNA0721	20100721	PBNS0945	860546GB
MS1138	MS1-401A	MS1449A	MS1-401A	PBNA0722	20100719	PBNS0968	20500968
MS1139	M105R3502SE	MS1449A	M105R3502SE	PBNA0723	20100723	PBNS1108	S1071B
MS1139	MS1-401A	MS1449A	MS1-401A	PBNA0924	861001	PBNS1137	861036
MS1201	M105R3502SE	MS1450A	M105R3502SE	PBNA0925	858783	PBNS1176	20500673
MS1201	MS1-401A	MS1450A	MS1-401A	PBNA0972	858884	PBNS1225	860321
MS1210	M105R3503SE	MS1450A	MS1-403A	PBNA0973	858783	PBNS1225	M93R3066SE
MS1210	MS1-410A	MS1453	MS1-403A	PBNA0977	860143	PBNS1666	860500GB
MS1211	MS1-411A	MS155	MS1-419A	PBNA1100	860560	PBNS3043	20513043
MS1300A	M105R3502SE	MS16	M105R3503SE	PBNA1101	860157	PBNS3055	20513055
MS1300C	M105R3502SE	MS16	MS1-410A	PBNA1101	860560	PBNS4102	20540102
MS1300C	MS1-419A	MS186	M105R3503SE	PBNA1102	859020	S1152419	1327A581
MS1301A	M105R3502SE	MS186	MS1-410A	PBNA1104	858882	S1152419	1327A581
MS1301A	MS1-401A	MS191	M105R3503SE	PBNA1106	858783	S115A241	1327A411
MS1302A	MS1-302A	MS191	MS1-410A	PBNA1135	860562	S115A2419	1327A581
MS1310	M105R3503SE	MS192	M105R3503SE	PBNA1137	860558	S115A2433	1327A581
MS1310	MS1-410A	MS192	MS1-410A	PBNA1138	860167	S115HD241	860508GB
MS1319A	M105R3503SE	MS1A12	M105R3502SE	PBNA1192	20110217	SL52497	M105R3509SE
MS1319A	MS1-410A	MS1A20	M105R3502SE	PBNA1217	20110217	1268580	66021507
MS1329C	M105R3502SE	MS1A20	MS1-401A	PBNS0106	20500106	1277640	1277A640

Cross-Reference

Original	Prestolite	Original	Prestolite	Original	Prestolite	Original	Prestolite
1277670	1277A670	MS1403A	M105R3503SE	5000241521	860508GB	5001826641	1277A730
1277680	1277A680	MS1403A	MS1-403A	5000241737	860660GB	5001831086	860507GB
1277690	1277A690	MS1403A	MS1-410A	5000241777	860508GB	5001833946	858882
1277700	1277A700	MS1410A	M105R3503SE	5000241777AF	860506GB	5001837972	860558
1277720	1277A720	MS1410A	MS1-410A	5000241777AF113	860506GB	5001838198	860561
1277730	1277A730	MS1411A	MS1-411A	5000270909	860504GB	5001857971	860706GBA
1277740	1277A740	MS1417A	M105R3503SE	5000499961	860653	5001857971	861284
1277810	1277A810	MS1417A	MS1-419A	5000559254	861039	5001859216	860561
1277A730	1277A730	MS1419A	M105R3503SE	5000559254	M93R3104SE	5001859572	861039
1277A740	1277A740	MS1419A	MS1-419A	5000559254	M93R3104SE	5001859572	M93R3104SE
1321F022	1327A411	MS1421A	M105R3503SE	5000592182	860660GB	5001859572	M93R3104SE
1327A411	1327A411	MS1421A	MS1-419A	5000785288	860507GB	5001859608	860712GBA
1327A581	1327A581	MS1449A	M105R3502SE	5000789048	860660GB	5001859608	861286
850512	860512GB	MS1449A	MS1-401A	5000789951	1277A810	5001860274	860561
857472	857472GB	MS3502	MS3-502	5000790629	860507GB	5001866293	M90R3547SE
858317	861038	MS3503	MS3-503	5000791211	861039	5001866702	M90R3538SE
858318	861037	MS4400	MS4-400	5000791211	M93R3104SE	5001866702	M90R3556SE
858320	860817	MS4400K	MS4-400	5000791211	M93R3104SE	5001866924	M90R3556SE
858780	861036	MS4400K	MS4-401	5000791383	860507GB	5001867214	861078
858783	858783	MS4401	MS4-401	5000793515	860507GB	5001868213	861078
858882	858882	MS4405	MS4-405	5000806878	860506GB	5001868213	861078
858884	858884	MS4407	MS4-407	5000808251	860653	5006143947	1277A680
859020	859020	RENAULT		5000808251	860660GB	5006143948	860561
859411	MS4-401	0025841025	860657GB	5000811448	M105R3502SE	5010050904	860507GB
860103	861039	0028115085	860507GB	5000811448	MS1-401A	5010090370	861039
860103	M93R3104SE	0028115088	860507GB	5000816041	860506GB	5010090370	M93R3104SE
860143	860143	0028115089	860507GB	5000822346	860506GB	5010090370	M93R3104SE
860157	860157	20732977	M90R3538SE	5000822346	860508GB	5010090683	861039
860157	860560	21041752	861078	5001000061	860506GB	5010090683	M93R3104SE
860167	860167	25841022	860660GB	5001000061	860508GB	5010090683	M93R3104SE
860307	858783	25841044	861039	5001000127	860660GB	5010096027	860507GB
860321	860321	25841044	M93R3104SE	5001014163	858882	5010099875	860560
860321	M93R3066SE	25841044	M93R3104SE	5001014193	860507GB	5010156400	1277A810
860545	860545GB	28115085	860507GB	5001014196	860507GB	5010179702	1277A730
860546	860546GB	28115088	860507GB	5001014203	860660GB	5010190432	1277A810
860551	860551	28115089	860507GB	5001014212	860507GB	5010217215	860500GB
860557	860557	38950700	1327A581	5001014215	860660GB	5010217532	860507GB
860558	860558	5000049125	861039	5001014218	860507GB	5010217533	860507GB
860559	860559	5000049125	M93R3104SE	5001014221	861039	5010217961	860558
860560	860560	5000049125	M93R3104SE	5001014221	M93R3104SE	5010252192	860562
860561	860561	5000080750	860660GB	5001014221	M93R3104SE	5010257061	1277A740
860562	860562	5000137323	861039	5001014227	860507GB	5010257064	1277520
860563	860563	5000137323	M93R3104SE	5001014239	860507GB	5010306007	860561
860608	860608	5000137323	M93R3104SE	5001050904	860507GB	501030606413	861039
MS1400A	M105R3502SE	5000138298	861039	5001824629	860507GB	501030606413	M93R3104SE
MS1400A	MS1-401A	5000138298	M93R3104SE	5001825219	1277A810	501030606413	M93R3104SE
MS1401A	M105R3502SE	5000138298	M93R3104SE	5001825662	1277A810	5010306413	861039
MS1401A	MS1-401A	5000138533	860653	5001826638	1277A740	5010306413	M93R3104SE

Original	Prestolite	Original	Prestolite	Original	Prestolite	Original	Prestolite
RENAULT		7421056611	861344	1117252	858882	349577	860548GB
5010306413	M93R3104SE	7421289219	861077	1119154	1277A700	349578	860515GB
5010306710	860561	7421289222	861343	1336136	860557	349579	860544GB
5010306801	860561	7421324077	860561	1357709	860305	349581	860515GB
5010347544	1277A680	7421429789	860804GB	1358639	860305	349581	860660GB
5010390082	1277A680	7421429789	AVI147 3110HD	1365146	860560	354858	858882
5010480227	860561	7421429789	AVI147 3120HD	1394969	860557	357736	858882
5010480572	860561	7421561402	861332	1395211	860547GB	359581	860660GB
5010480878	860561	7421561402	861332	1409378	860557	369554	857472GB
5010508443	861039	7421598449	M90R3538SE	1409380	860557	371972	858882
5010508443	M93R3104SE	7421632125	M90R3557SE	1447911	M90R3545SE	379576	860548GB
5010508443	M93R3104SE	7421879544	860507GB	1475569	861298	410674	1277A640
5010589136	861077	7485003228	860561	1504314	861079	410676	858882
5010589136	861077	7485003253	861343	1504316	861079	420247	1277A700
5010589137	861077	7485003361	861291	1536236	A009TU5591A	438256	1285523
5010589305	861078	7485003361	861291	1571419	860340	438256	880640
5010589525	860804GB	7485003362	861039	160675	1277A700	460675	1277A700
5010589525	AVI147 3110HD	7485003362	M93R3104SE	163394	860548GB	470378	880701
5010589525	AVI147 3120HD	7485003362	M93R3104SE	1749769	860557	472302	1277A680
5010589551	860804GB	7485013136	M90R3538SE	1774595	861079	472544	1286B000
5010589551	AVI147 3110HD	7485013423	861344	1777299	861079	472544	880703B
5010589551	AVI147 3120HD	7700308989	860560	1777301	A009TU5591A	475885	860340
5010589555	860804GB	7700377051	20513043	1777464	861079	518064	861079
5010589555	AVI147 3110HD	7701012243	860658	1777466	A009TU5591A	570884	861079
5010589555	AVI147 3120HD	A5000559254	861039	1794114	A009TU6499	570887	861298
5014648	860810GB	A5000559254	M93R3104SE	1794784	A009TU6499	5711453	860505GB
5014648	AVI147S3108HD	A5000559254	M93R3104SE	1796026	M90R3545SE	571168	860305
504109413	860706GBA	D14809	66021507	183868	857472GB	571413	858882
504109413	861284	SAAB		1884268	861298	571414	860157
5830000132	860507GB	410674	1277A640	1888010	861298	571414	860560
5830000632	860507GB	571514	860560	2031368	M90R3545SE	571416	860557
7420409228	860804GB	SABRE		2148650	M90R3545SE	571418	1277A700
7420409228	AVI147 3110HD	26310	8SC3133U	217931	860548GB	571419	860340
7420409228	AVI147 3120HD	26874	8SC3157V	225944	860544GB	571420	857472GB
7420466317	860804GB	27175	8LHA3096U	2276131	M90R3545SE	571421	860505GB
7420466317	AVI147 3110HD	SCANIA		2395907	861079	571427	860305
7420466317	AVI147 3120HD	0001261027	M90R3545SE	2398366	861079	571438	860557
7420714203	M90R3547SE	01888010	861298	2398368	861298	571439	861079
7420732977	M90R3556SE	0570884	861079	257592	858882	571450	857472GB
7420842441	861078	0570887	861298	263356	857472GB	571451	857472GB
7420842445	861078	0571419	860340	279932	860505GB	571453	860505GB
7420853850	860804GB	0573507	M90R3545SE	279932	860548GB	571454	860548GB
7420853850	AVI147 3110HD	0579261	M90R3545SE	291816	860548GB	571460	860515GB
7420853850	AVI147 3120HD	064254	860505GB	309220	860515GB	571461	860544GB
7420862899	860804GB	064513	860548GB	310563	857472GB	571463	860305
7420862899	AVI147 3110HD	10579265	M90R3545SE	313360	860660GB	571467	M90R3545SE
7420862899	AVI147 3120HD	1101616	860660GB	349575	860505GB	571472	A009TU5591A
7421036377	M90R3556SE	1105368	860560	349576	860548GB	571474	860557

Cross-Reference

Original	Prestolite	Original	Prestolite	Original	Prestolite	Original	Prestolite
571487	M90R3545SE	609090010	860657GB	2523161	859020	436427	858783
571497	860340	609090027	860657GB	2541145	858882	436428	858783
571498	860557	61200090091	857472GB	2541147	858882	436433	860560
571505	858882	614090004	860657GB	2541178	860560	436434	860560
571506	858882	614090018	860657GB	2541199B	858884	436437	858884
571514	860560	614090022	860657GB	2541297	20100719	436438	858884
571516	860157	61500090022	860657GB	2541329	860560	436439	858884
571516	860560	61500090030	860657GB	2541476	860167	436440	858884
571518	860560	81400090003	860504GB	2541624A	860551	436450	20110217
571519	1277A700	81500090049	860504GB	2541680	20110217	436566	1277A640
571520	1277A700	TEMSA		2541680A	20110217	436569	1277A640
571521	860557	30040000053	860508GB	2541699	20110217	436570	1277A640
571613	861079	THERMO KING		2541774	20110217	436574	20100723
573012	A009TU6499	3040103	8SC3200V	2541775	20110217	436582	1277A720
573015	861298	4125D55G01	8SC3200V	2541775B	20110217	436589	860167
573507	M90R3545SE	4125D55G014469	8SC3200V	2541838A	20110217	436590	860562
579261	M90R3545SE	4125D55G02	8SC3200V	2541849	860560	436591	860558
579265	M90R3545SE	4125D55G024463	8SC3200V	2541919	20110217	436652	860560
579271	M90R3545SE	413020	8SC3200V	2541919B	20110217	436680	860560
64254	860505GB	4463	8SC3200V	2542310	860561	437126	20110217
64513	860548GB	446368	8SC3200V	2542514	860551	437166	860143
666754	1277A700	4469	8SC3200V	2940060	858884	437352	860551
666859	A009TU5591A	446918	8SC3200V	2940780	860167	437440	860559
DS11	860505GB	5D51321G01	8SC3200V	2960250	858882	437441	860563
DS11	860548GB	5D51939G01	8SC3200V	432607	20500534	437442	860559
SC0570887	861298	THOMAS BUS		432644	S1053B	437446	860561
SC0573015	861298	61230359	M105R2511SE	433140	20100719	437447	860561
SISU		VALEO		433292	20500673	437482	860807GB
835339422	66021507	06322310160	860716	433294	20500534	437534	20130237
836873047	860809GB	06322310160	M93R3059SE	433295	20500534	437621	20130237
SOLARIS		063522310050	M93R3004SE	434028	860807GB	437642	20130237
0000150987	1286B590	063522310110	860817	434036	860807GB	438032	860508GB
0000304431	AVI147S3108HD	063522310290	861037	436003	20500185	438039	860512GB
0000338021	AVI147S3108HD	063524160520	860516GB	436038	20500534	438043	860545GB
0104101055	1277A740	063535550050	860810GB	436055	20500534	438045	860505GB
0104200001	860809GB	063535550050	AVI147S3108HD	436095	860507GB	438051	860511GB
0104200030	860809GB	063536550050	860810GB	436096	861039	438233	M90R3543SE
0104200030	861279GB	063536550050	AVI147S3108HD	436096	M93R3104SE	438235	M90R3547SE
0301050000338021	AVI147S3108HD	076571	860653	436097	860507GB	438235	M90R3557SE
104200001	860809GB	076571	860660GB	436098	860507GB	438241	M90R3547SE
SPIDAN		098208	860507GB	436119	20100719	438250	M90R3544SE
0004487	S1053B	098209	860507GB	436120	20100719	438277	861039
1037	20500534	158177	860321	436140	858882	440132	860809GB
3233	20100719	158177	M93R3066SE	436227	20100719	440132	861279GB
3438	20100719	181598	860507GB	436393	860551	452344	860321
STE R		184452	860507GB	436412	858882	452344	M93R3066SE
41000090002	860657GB	2180475	860560	436420	861001	455502	860507GB
519510010010	1277A640	21819910	860562	436422	859020	455504	860653

Original	Prestolite	Original	Prestolite	Original	Prestolite	Original	Prestolite
VALEO		458343	860818	943252284	861037	FS60PR171	M90R3557SE
455504	860660GB	465930	860500GB	943356188	858884	FS60PR172	M90R3547SE
455505	860653	510348	858884	943356231	858882	M130824TV1	860545GB
455505	860660GB	510372	858783	943356247	860558	M130824TV2	860545GB
455509	860507GB	510397	859020	943356521	858884	MAN2003	860810GB
455516	M93R3004SE	510427	861001	943356849	860560	MAN2003	AVI147S3108HD
455518	860817	510445	858882	943357259	860560	MAN2045	860810GB
455522	860516GB	529601	858884	943357261	860167	MAN2045	AVI147S3108HD
455523	860545GB	54244390	20500968	943357557	858884	MAR1503	858884
455524	860545GB	568272	M90R3543SE	943357715010	861001	MAR5169	861001
455526	860546GB	575737	860615	943357716	858783	MAR5364	20130237
455526	860658	585196	860818	943357765	861001	MAR836	858884
455528	861036	585200	M93R3091SE	A13N236	860167	MAR845	858882
455529	861036	585420	M105R3031SE	A13N236M	860167	MAR854	860558
455530	860506GB	592777	858884	A13N23N	860167	MAR886	860560
455531	860508GB	594094	860507GB	A13N45T	858882	MAR892	860560
455532	861037	600239	M90R3543SE	A13VI79	20110217	MAR894	860167
455533	M93R3004SE	63111023	20500185	A13VI90	20110217	MAR896	858884
455534	860548GB	63216740	860817	A14N133	858882	MAR899	858783
455535	860515GB	63216741	860817	A14N183	860551	MSN2008	860716
455536	861038	726008	S1053B	A14N183M	860551	MSN2008	M93R3059SE
455538	860512GB	726808	S1053B	A14N196M	858882	MSN2009	20513043
455539	860500GB	75617	861039	A14N208M	860551	MSN2043	M93R3004SE
455540	860500GB	75617	M93R3104SE	D13E117TE	860507GB	MSN2045	860817
455541	860505GB	838007	S1053B	D13E118TE	860507GB	MSN2048	861037
455542	860509GB	943214376	860657GB	D13E119	860507GB	MSN2063	860516GB
455546	860546GB	943251569	860512GB	D13E121	860507GB	MSN521	860817
455615	860660GB	943252129	860653	D13E63	860653	MSR651	860657GB
455622	860818	943252187	860506GB	D13E63	860660GB	MSR674	860512GB
455623	860508GB	943252188	860667GB	D13E63T	860660GB	MSR681	860516GB
455688	860507GB	943252194	860508GB	D13E69	860653	MSR685	860653
455720	S1053B	943252197	860505GB	D13E69	860660GB	MSR687	860506GB
455871	860511GB	943252197	860548GB	D13E69T	860660GB	MSR688	860667GB
455899	S1071B	943252201	861036	D13E77T	M105R3503SE	MSR692	860508GB
458174	860305	943252205	M93R3004SE	D13E77T	MS1-410A	MSR693	860548GB
458175	M90R3543SE	943252207	857472GB	D13E81	860653	MSR694	860500GB
458176	860615	943252208	861038	D13E81	860660GB	MSR695	861036
458183	861039	943252208010	861038	D13E81T	860653	MSR698	M93R3004SE
458183	M93R3104SE	943252210	860508GB	D13E81T	860660GB	MSR700	857472GB
458198	M105R3031SE	943252215	M93R3004SE	D7R19	S1053B	MSR701	861038
458208	20513043	943252221	860545GB	D7R28	S1053B	MSR702	860508GB
458209	860508GB	943252228	860516GB	D7R281	S1053B	MSR705	M93R3004SE
458269	861037	943252230	860545GB	D7R43	S1053B	MSR709	860545GB
458292	861036	943252243	860505GB	D7R46	S1053B	MSR711	860516GB
458331	M93R3091SE	943252245	861036	D7RP123	S1053B	MSR712	860545GB
458332	860716	943252249	860818	FS60PR019	M90R3543SE	MSR713	860515GB
458332	M93R3059SE	943252274	861039	FS60PR020	M90R3544SE	MSR725	860505GB
458335	860818	943252274010	861039	FS60PR171	M90R3547SE	MSR727	861036

Cross-Reference

Original	Prestolite	Original	Prestolite	Original	Prestolite	Original	Prestolite
MSR729	860818	1066170	880725B	20409240	AVI147 3110HD	21041756	861078
MSR735	861039	1066374	1283232	20409240	AVI147 3120HD	21041876	861344
MSR742	861037	1066697	1283232	2041237	M93R3091SE	21048170	860562
MT67C	860817	1089861	858884	20430564	M90R3557SE	21048174	860551
MT67CA	860817	1089862	860562	20430565	M90R3547SE	21048177	860551
MT67CB	860817	1096757	860551	20430584	M90R3547SE	21056611	861344
ND146	860507GB	1096758	860551	20431073	M90R3547SE	21067513	861038
ND162	S1053B	11031126	860500GB	20431073	M90R3557SE	21219976	M90R3547SE
D2827C	M105R3001SE	110311263	860518GB	20450305	M105R3509SE	21257558	AVI147 3110HD
TS50PE009	861039	11129122	860506GB	20466315	860804GB	21289221	861077
VA254	20100719	11170011	860551	20466315	AVI147 3110HD	21289223	861343
VA254	20100721	1117011	860551	20466315	AVI147 3120HD	21429781	860804GB
VA263	20100719	11170134	860804GB	20466316	861291	21429781	AVI147 3110HD
VA264	20100719	11170134	AVI147 3110HD	20466317	860804GB	21429781	AVI147 3120HD
VA392	20110217	11170134	AVI147 3120HD	20466317	AVI147 3110HD	21429782	860804GB
VS128	20500673	11170321	860804GB	20466317	AVI147 3120HD	21429782	AVI147 3110HD
VS148	20500534	11170321	AVI147 3110HD	20553711	860500GB	21429782	AVI147 3120HD
VS249	20500185	11170321	AVI147 3120HD	20563533	M90R3538SE	21429783	860804GB
VS386	S1071B	11707118	M105R3502SE	20572417	M90R3547SE	21429783	AVI147 3110HD
VS439	S1071B	11707118	MS1-401A	20572419	M90R3547SE	21429783	AVI147 3120HD
VAN HOOL		1193473	1285600	20707050	861077	21429786	860804GB
10457917	1277A760	1193473	880642	20714203	M90R3547SE	21429786	AVI147 3110HD
104579171	1277A760	1196917	1285523	20732404	M105R3509SE	21429786	AVI147 3120HD
10999610	1277A740	1196917	880640	20732977	M90R3538SE	21429787	860804GB
109999610	1277A740	1199872	860500GB	20739778	861078	21429787	AVI147 3110HD
11080819	1277A720	1257938	20500534	20741686	AVI147 3110HD	21429787	AVI147 3120HD
11197256	1277A870	14371018	858884	20770016	AVI147 3110HD	21429790	AVI147 3110HD
11200036	1286B690	1505107	860551	20842445	861078	21429791	AVI147 3110HD
1120544553	M105R3031SE	15063541	860804GB	20849349	860804GB	21477586	860618
11206372	1277A890	15063541	AVI147 3110HD	20849349	AVI147 3110HD	21477589	861038
11208472	1277A880	15063541	AVI147 3120HD	20849349	AVI147 3120HD	21532125	M90R3547SE
636302980	1277A720	15067533	860551	20849350	860804GB	21561402	861332
63630299	1277A640	15196041	AVI147 3110HD	20849350	AVI147 3110HD	21598436	M90R3538SE
636302990	1277A640	1547049	860511GB	20849350	AVI147 3120HD	21598446	M90R3538SE
701697322	860809GB	1607361	858884	20849351	860804GB	21598449	M90R3538SE
VISTEON		1607362	858884	20849351	AVI147 3110HD	21632125	M90R3547SE
2010001012	20500673	1621048	860562	20849351	AVI147 3120HD	21632127	M90R3547SE
VM		1624089	858884	20849352	860804GB	21632133	M90R3547SE
1382101	M93R3004SE	1624090	858884	20849352	AVI147 3110HD	21673341	861333
38522324F	860808GB	1676822	20540103	20849352	AVI147 3120HD	21727742	860551
C8520079A	860808GB	17233221	M105R3509SE	20850236	860804GB	22218392	AVI147 3110HD
VOLVO		1794786	861298	20850236	AVI147 3110HD	22218393	AVI147 3110HD
0028115085	860507GB	20397219	M90R3556SE	20850236	AVI147 3120HD	22344130	M90R3556SE
0028115088	860507GB	20402404	860563	20891242	M90R3547SE	22591472	AVI147 3110HD
0028115089	860507GB	20409228	860804GB	20898062	861077	22943691	861333
1066169	1286B010	20409228	AVI147 3110HD	20988293	861332	240340	860500GB
1066169	880712B	20409228	AVI147 3120HD	21025968	M90R3538SE	240347	860518GB
1066170	1286B510	20409240	860804GB	21036377	M90R3538SE	240502	860657GB

Original	Prestolite	Original	Prestolite	Original	Prestolite	Original	Prestolite
VOLVO		4881598	861038	8112273	880642	85000257	860804GB
240504	860504GB	50001014215	860660GB	8112274	1285523	85000257	AVI147 3110HD
2557832	8SC3133U	5000138533	860653	8112274	880640	85000257	AVI147 3120HD
25578329	8SC3133U	5000790629	860507GB	8112284	1277A700	85000295	M105R3509SE
3032961	1277A700	5000791383	860507GB	8112614	860551	85000419	860804GB
3033180	1277A720	5000793515	860507GB	8112785	880701	85000419	AVI147 3110HD
3095060	860511GB	5000808251	860660GB	8112789	860551	85000419	AVI147 3120HD
3095060	M90R3547SE	5000816041	860506GB	8112790	860551	85000438	860504GB
3112741	1285622	5001000061	860508GB	8112932	1286B000	85000439	860500GB
3112741	880718	5001014203	860660GB	8112932	880703B	85000440	860512GB
3114122	MS1-411A	5001014215	860660GB	8112933	1286B500	85000446	20540103
3114350	1283211	5001014218	860507GB	8112933	880704B	85000446	861038
3117991	1285527	5001014227	860507GB	8112996	861038	85000447	860618
3117991	880641	5001680	860500GB	8113165	860511GB	85000461	861291
3173821	860551	5001682	860657GB	8113230	860618	85000480	860562
3595446	M105R3509SE	5001683	860504GB	8113258	860551	85000481	1277A700
366994	880636	5001784	861038	8113259	860551	85000507	860551
3803639	860804GB	5001867	20500534	8113477	860551	85000508	860551
3803639	AVI147 3110HD	5003009	861038	8113573	1286B010	85000526	M105R3509SE
3803639	AVI147 3120HD	5003027	860504GB	8113573	880712B	85000592	AVI147 3110HD
3827444	M90R3547SE	5003028	860500GB	8113860	20540103	85000626	860804GB
3963143	860551	50030287	860500GB	8113860	861038	85000626	AVI147 3110HD
3964839	860511GB	5003089	858884	8113904	860504GB	85000626	AVI147 3120HD
3964839	M90R3547SE	5003090	858884	8113905	860500GB	85000628	860804GB
3978044	861038	5003312	860512GB	8113907	860512GB	85000628	AVI147 3110HD
3978710	860618	5003349	858884	8113909	858884	85000628	AVI147 3120HD
3986428	860551	5003398	860562	8113911	858884	85000629	860804GB
3986429	860551	5003448	858884	8113912	860562	85000629	AVI147 3110HD
3987744	6524-4	5010050904	860507GB	8113913	1277A700	85000629	AVI147 3120HD
4078515	M105R3502SE	5010390082	1277A700	8113915	860551	85000643	AVI147 3110HD
4078515	MS1-401A	5830000132	860507GB	8113918	860511GB	85000677	M90R3547SE
420718	861038	5830000632	860507GB	8113918	M90R3547SE	85000712	860562
420731	860512GB	6209190	M93R3004SE	8113922	1286B000	85000713	860551
420760	20540103	6209191	861001	8113922	880703B	85000714	860551
420780	860500GB	6226486	857472GB	8113994	1277A680	85000717	1277A700
455536	861038	6244321	860515GB	813477	860551	85000746	M90R3547SE
465604	861038	6779261	858884	8144401	860551	85000934	M90R3538SE
465929	860504GB	6886461	860500GB	8156816	860551	85000937	M90R3538SE
4659298	860504GB	70343142	1286B570	8156817	860551	85003104	1277A680
465930	860500GB	707112	860318	8192262	20540103	85003257	861077
466772	861038	707118	M105R3502SE	8192965	860618	85003303	861038
467919	860500GB	707118	MS1-401A	847330	860518GB	85003304	860618
469414	860500GB	7240340	860500GB	8497489	8SC3157V	85003355	860804GB
470731	860512GB	7421304672	AVI147 3110HD	85000087	M90R3557SE	85003355	AVI147 3110HD
471638	860512GB	7701012243	860658	85000148	M90R3538SE	85003355	AVI147 3120HD
477049	860512GB	8112224	861038	85000148	M90R3556SE	85003357	860804GB
4772059	860657GB	8112271	880636	85000186	860511GB	85003357	AVI147 3110HD
4776105	860518GB	8112273	1285600	85000219	858884	85003357	AVI147 3120HD

Cross-Reference

Original	Prestolite	Original	Prestolite	Original	Prestolite	Original	Prestolite
85003358	AVI147 3110HD	100911023G	20500185	370100880	1277A740		
85006148	M90R3538SE	2 0903015	860807GB	370800004	MS4-401		
85006148	M90R3556SE	WEICHAI		370800033	M93R3002SE		
85013064	860551	1610036000026	M93R3014SE	370800033	M93R3013SE		
85013134	M90R3538SE	1610036000103	F 276W	370800038	MS3-504		
85013135	M90R3556SE	1611336000009	M93R3013SE	370800043	M93R3013SE		
85013471	AVI147 3110HD	1612036000013	MS3-504	960101180	F 276W		
85020793	M90R3547SE	1612136000006	F 2105D	HONGTONG BUS			
85020832	AVI147 3110HD	1612136000013	M93R3003SE	10001100109	1277A740		
85135599	1286B500	1612136000014	F 295D	10001100204	1277A730		
870870	860518GB	1612136000017	M105R3001SE	10001100265	AVI136A101		
872021	858884	1612336000016	M93R3016SE	10001100295	M105R3003SE		
872364	M105R3503SE	1612536000003	M105R3004SE	10001100296	M93R3014SE		
872364	MS1-410A	612600090129	M105R3002SE	10002000006	MS4-401		
873757	858884	612600090295	F 295D	37018000002	8SC3110VC		
874385	M90R3547SE	WEICHAI DEUT		37018000032	1277A740		
9000872364	M105R3503SE	13028386	M93R3001SE	37080016980C8	MS4-405		
9000872364	MS1-410A	13031962	M93R3016SE	37088000003	M97R3013SE		
9004078515	M105R3502SE	13033591	M93R3011SE				
9004078515	MS1-401A	13034593	M100R2008SE				
9004772059	860657GB	13039197	M93R3042SE				
9011030394	M105R3503SE	WRIGHT BUS					
9011030394	MS1-410A	CEP00098	MS4-404				
9011707112	860318	CEP00116	1286B560				
9011707118	M105R3502SE	CEP00314	M81R3001				
9011707118	MS1-401A	WU I DIESEL					
9012724607	8LHA3096U	3701010AK 1A2028	F 276L				
9515926	1285531	37080104320000	M90R3538SE				
9515926	880701	370801053DB	M105R3004SE				
9519360	1277A680	ICHAH					
9519360	1277A700	3708010A53DBD	M105R3003SE				
9520621	1277A680	L30013708100B	M105R3007SE				
9520861	1286B000	ULIN DIESEL					
9520861	880703B	D2623	M93R3001SE				
9520862	1286B500	UTONG					
9520862	880704B	100500405	MS3-505				
9521761	860551	100500787	M93R3013SE				
9531761	860551	101500011	M93R3014SE				
ALT1145	858884	101500011	MS4-404				
LN110298	8SC3133U	101500053	M105R3001SE				
V1114258	8LHA3096U	370100180	1277A730				
VT1286000	1286B000	370100327	1277A740				
VT1286000	880703B	370100469	F 275				
VW		370100589	AVI1441F11				
069911023A	20500534	370100684	AVI136A101				
069911023A	20500534	370100687	F 275				
069911023G	20500185	370100805	F 2710F				
069911023H	20513055	370100812	F 2105D				

also available

POPULAR TRUCK APPLICATION CATALOGUE (2019)

Order No. PP4039



REFRIGERATION PRODUCT CATALOGUE

Order No. PP4030



MARINE PRODUCT CATALOGUE

Order No. PP4029



SALES DIRECTOR - ASIA, AFRICA, EUROPE

Ferenc Gemesi
Mobile: +44 782 687 1622
Email: fgemesi prestolite-eu.com

SALES MANAGER - ICELAND, FAR EAST, FINLAND, KOREA, MALA SIA, NORWA , HONG KONG, TAIWAN, THAILAND, SINGAPORE

Steve Trulock
Tel: +44 (0)208 231 1119
Mobile: +44 (0)776 964 3365
Email: strulock prestolite-eu.com

SALES MANAGER - EASTERN EUROPE, LITHUANIA

Gyorgy Papp
Mobile: + 36 706 072 789
email: gpapp prestolite-eu.com

SALES MANAGER - POLAND

anusz ajac
Mobile: + 48 509 021 511
email: jzajac prestolite-eu.com

SALES MANAGER - AUSTRIA, DENMARK, GERMAN , NETHERLANDS, SWIT ERLAND

Marc Schuller
Tel: +49 2858 918 4815
Mobile: +49 151 4190 6152
Email: mschuller prestolite-eu.com

SALES MANAGER - GREECE, ITAL , TURKE

Paul Aylett
Tel: +39 011 815 6711
Mobile: +39 338 489 2939
Email: paylett prestolite-eu.com

SALES MANAGER - ALGERIA, BELGIUM, FRANCE, LU EMBURG, MOROCCO, TUNISIA

Paul Bouabdellah
Tel: +33 1 61 35 14 58
Mobile: +33 6 8794 6784
Email: pbouabdellah prestolite.fr

SALES MANAGER - SAUDI ARABIA, UAE, ATAR, BAHRAIN, ESTONIA, LATVIA

Tamas Botta
Tel/Fax: +36 1 372 6158
Mobile: +36 30 96 66 193
Email: tbotta prestolite-eu.com

SALES MANAGER - SPAIN, PORTUGAL, ANGOLA

Alexis D v
Mobile: +34 649 388 426
Email: alexis prestolite.com.es

SALES MANAGER - UK NORTH & EIRE

Steve Bulled
Tel: +44 (0)786 739 3993
Email: sbulled prestolite-eu.com

SALES MANAGER - UK SOUTH, SWEDEN

Andy Fowler
Mobile: +44 (0)792 086 2230
Email: afowler prestolite-eu.com

CUSTOMER SERVICE OFFICE

Tel: +44 (0)20 8231 1137
Fax: +44 (0)20 8575 9575
Email: eu info prestolite.com

TECHNICAL SUPPORT

Tel: +44 (0)20 8231 1137
Fax: +44 (0)20 8575 9575
Email: eu info prestolite.com

SERVICE / WARRANT DEPARTMENT

Tel: +44 (0)20 8231 1120
Fax: +44 (0)20 8231 1085
Email: cpopovicbirkby prestolite-eu.com

ACCOUNTS DEPARTMENT

Tel: +44 (0)20 8231 1046
Fax: +44 (0)20 8833 7185
Email: ihavenga prestolite-eu.com

MARKETING

Tel: +44 (0)20 8231 1042
Fax: +44 (0)20 8575 9575
Email: sbiret prestolite-eu.com

restolite lectric t - e ut stems
e etropolit r
ristol o
ree or
i lese

ite i om
el