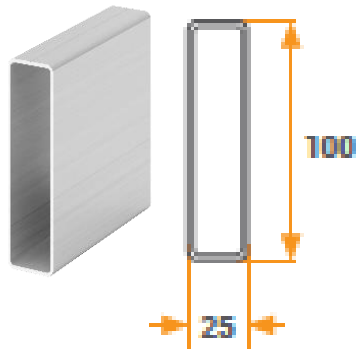


# 1 – PLANKS FOR CURTAINSIDERS

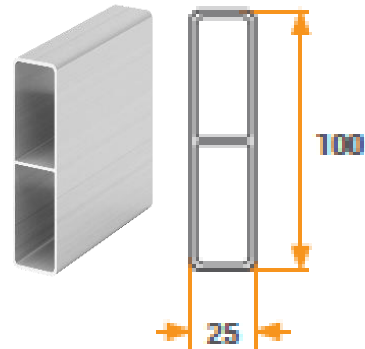


T1 2001



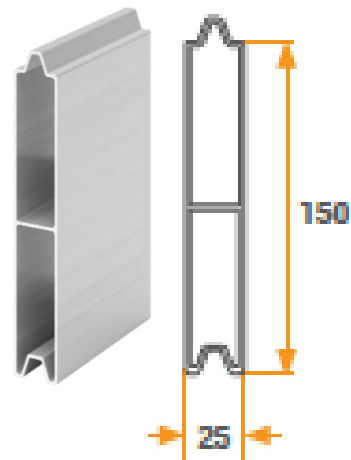
H= 200 mm  
0,953 Kg/m

T1 2002



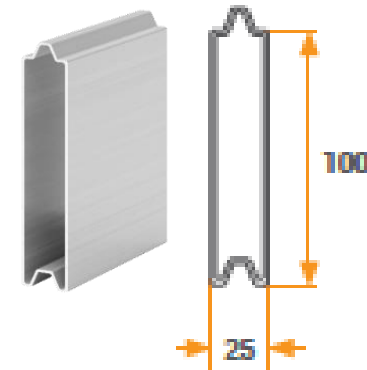
H= 100 mm  
1,037 Kg/m

T1 2003



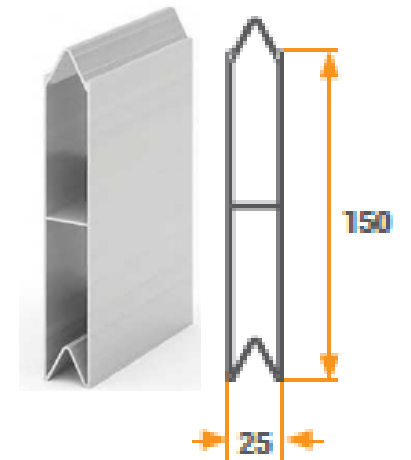
H= 150 mm  
1,607 Kg/m

T1 2004



H= 200 mm  
1,107 Kg/m

T1 2005



H= 150 mm  
1,544 Kg/m

# Applications:



**Tubulars**  
T1 2001 (H= 100 mm)  
T1 2002 (H= 100 mm)

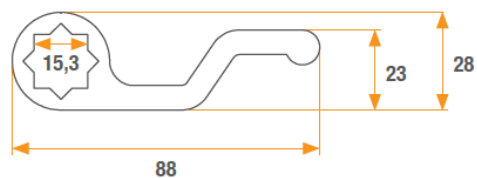
**Tubulars**  
T1 2003 (H= 150 mm)



# 2 – TARPAULIN PROFILES



Stretching planck 88 x 28 mm



CODICE / PART NUMBER

**T1 8001**

PESO / WEIGHT kg/m

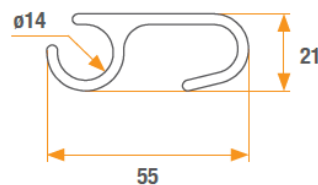
2,349

LEGA / ALLOY

EN AW-6060



Tarpaulin hook 55 x 21 mm



CODICE / PART NUMBER

**T1 8004**

PESO / WEIGHT kg/m

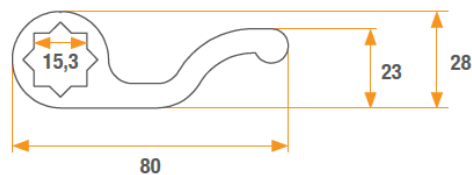
0,918

LEGA / ALLOY

EN AW-6060



Stretching planck 80 x 28 mm



CODICE / PART NUMBER

**T1 8003**

PESO / WEIGHT kg/m

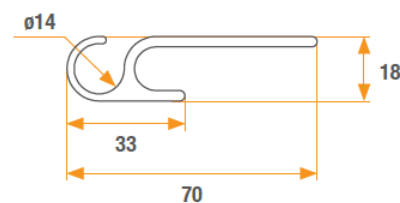
2,165

LEGA / ALLOY

EN AW-6060



Tarpaulin hook 70 x 18 mm



CODICE / PART NUMBER

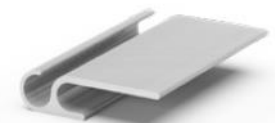
**T1 8005**

PESO / WEIGHT kg/m

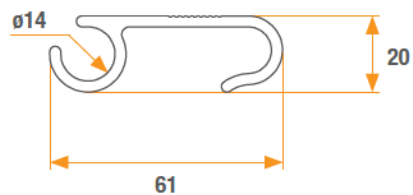
0,853

LEGA / ALLOY

EN AW-6060



Tarpaulin hook 61 x 20 mm



CODICE / PART NUMBER

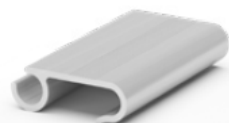
**T1 8002**

PESO / WEIGHT kg/m

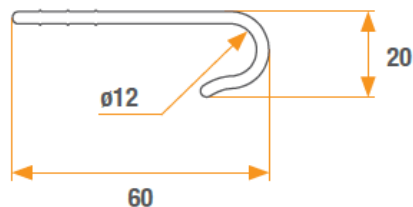
0,883

LEGA / ALLOY

EN AW-6060



Tarpaulin hook 60 x 20 mm



CODICE / PART NUMBER

**T1 8006**

PESO / WEIGHT kg/m

0,640

LEGA / ALLOY

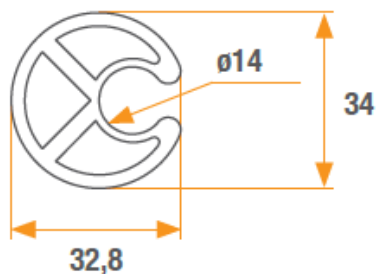
EN AW-6060



# 2 – TARPAULIN TENSIONING PROFILES



*Tarpaulin tensioning pole 33x34 mm*



CODICE / PART NUMBER

**T1 8007**

PESO / WEIGHT kg/m

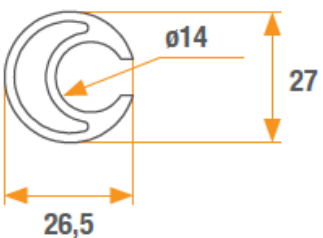
1,048

LEGA / ALLOY

EN AW-6060



*Tarpaulin tensioning pole 26,5x27 mm*



CODICE / PART NUMBER

**T1 8008**

PESO / WEIGHT kg/m

0,608

LEGA / ALLOY

EN AW-6060

