

**Your Partner in  
Exhaust and Emission**

going the extra mile



AFTERMARKET

# EURO 6 SYSTEMS FROM TURBO TO TAILPIPE



# Stepping up to the latest standard

Air pollution is a major concern to European communities and individuals, and exhaust gases must be controlled to reduce the negative impact.

The official constraints on vehicle emissions follow a natural path. The present Euro 6 norm reduces the particulate and NOx emissions to unprecedented levels, promising to make heavy transport more friendly to the environment than ever before.

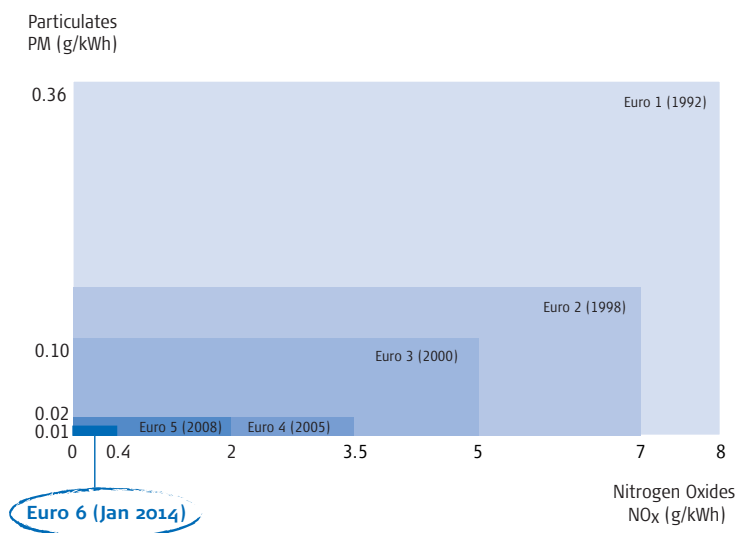
## Euro 6 and beyond

This important endeavour requires advanced exhaust and emission solutions. Dinex products meet or exceed the Euro 6 norm and include the widest range of type approved aftertreatment system sparepart components, so truck manufacturers and the aftermarket naturally rely on us to help them equip for the new standard. In fact, we even deliver technologically advanced silencers for trucks.

## The greener, the better

Every day we work hard to reach even lower levels of particulate and NOx emissions, and we are every bit as ambitious with our aftermarket products as we are with our original equipment parts.

We are constantly working on new technologies, new products and more effective solutions that may be applied in current and future exhaust systems. We work hard to ensure emission compliance with OE equipment, but also to find ways to improve on areas like noise reduction, back-pressure performance and fuel consumption.



**Cleaner air out of the exhaust pipe than the air you breathe!\***

\*In comparison to air polluted areas.





THE  
GREENER  
THE  
BETTER

## Table of content

2	Stepping up to the latest standard
6	Why partner with Dinex?
7	Why Dinex for your customers?
8	Type approved aftertreatment system components
9	The exhaust system evolution
10	Euro 6 System
13	Dinex DOC - What is a DOC?
14	Dinex DPF - What is a DPF?
15	Dinex SCR - What is a SCR?
16	DAF Systems
26	IVECO Systems
40	MAN Systems
47	MERCEDES Systems
56	RENAULT Systems
63	SCANIA Systems
71	VOLVO Systems
78	Cross References Dinex -OE
86	Cross References OE - Dinex
94	Direct replacement & build-in parts
95	Quality from Turbo to Tailpipe
96	Dinex Recon RX Program
99	E-Commerce
100	NOx Sensors
102	Temperature Sensors
107	Dinex worldwide



## We provide a complete

With more than 15,000 products available we offer the world's widest product range for on-road transport (LCV, trucks and buses), off-road and construction equipment.

- Diesel Oxidation Catalysts
- Selective Catalytic Reduction
- Diesel Particle Filters
- Front pipes
- Tailpipes
- Three Way Catalyst
- Pipe insulation
- Clamps
- Flex pipes and bellows
- Sensors
- Fittings

### Integrated OE quality

Reliable performance is our main priority. We handle all production of ceramics, coating and metal forming in our own factories, and our entire programme is 95% in-house manufactured. This is our way to ensure optimum quality that equals and in many cases even surpasses original equipment.

### Certified and approved

Probably needless to say, but Dinex is certified according to a number of international standards, including:

ISO 9001, ISO 14001, ISO 18001, ISO 50001, IATF 16949



# Euro 6 system product range

## Flexible parts

Dinex use 2S+, 3S flex pipes and bellow design to comply with leakage requirements.

## Sensors

Sensors are designed to monitor exhaust system parameters and secure systems proper operation.

## Emission technologies

DOC (Diesel Oxidation Catalyst), SCR (Selective Catalytic Reduction) catalysts and DPF's (Diesel Particle Filter) can be installed into our silencer systems.

## Silencers

Dinex supply lock seamed, stamped or welded silencers in aluminized or stainless steel quality.



## Clamps

The portfolio includes Flat clamps, DIN clamps, V-clamps, Flex clamps and U-clamps.

## Pipes

Bending from 22 mm to 152,4 mm in alu or stainless steel.

## Insulation Techniques

Mainly used in systems with emission regulations.

## Tailpipes

Direct replacement parts as well as universal tailpipes. Excellent quality parts made from aluminized, stainless steel or polished stainless steel.

## Exhaust fittings

All fittings are made inhouse for complete systems supply.

# Why Partner with Dinex?

## Dinex Program Benefits

---

### Providing tools and support

---



#### Products

Competitively priced Dinex DPFs (new and reconditioned), DOCs, SCR, bellows and pipe treatment systems. The Dinex portfolio also includes NOx and Temperature Sensors.

**Quality:** All Dinex parts are of OEM quality, and are a direct-fit installation out of the box. Each unit is quality tested prior to packaging.

**Warranty:** 3 years for aftertreatment systems (DPFs, DOCs, SCR), pipe treatment systems, 2 years for reconditioned DPFs and 1 year on accessories, electronic equipment (NOx and Temperature Sensors), bellows and flex.

---



#### Catalogues

Dinex offers the most user friendly, interactive and comprehensive catalogues for exhaust spare parts in the aftermarket industry. The catalogues are available in print and online versions with flip function and direct integration into the Dinex webshop.

---



#### E-Commerce

**Webshop:** Dinex.net is easy to use and will increase efficiency and ease the procurement of goods for the aftermarket. You will have the opportunity for ordering 24/7/365, check warehouse status & updated prices, quick cross reference search, CSV import, detailed descriptions and pictures. The fully responsive design allows for seamless access via pc and mobile devices.

**www.dinex.net**

---



#### Support

**Customer Service:** Talk to real people with dedicated aftermarket business support.

**Sales Support and Training:** Full technical product portfolio and sales training provided.

**Cooperative Marketing:** Co-branded flyers, ready to send email campaigns, social media promotions, and analytics offerings.

# Why Dinex For Your Customers?

## Warranty

3 years for aftertreatment systems (DPFs, DOCs, SCR), pipe treatment systems, 2 years for reconditioned DPFs and 1 year on accessories, electronic equipment (NOx and Temperature Sensors), bellows and flex.



## Exact Fit

No guessing or worrying if it'll work. Dinex DPFs, DOCs, SCR, and pipe treatment system kits are exact fit to OE, saving your time in the shop.



## Reconditioned Program

The Dinex reconditioned DPF is a relevant alternative to new DPFs. The DPFs are cleaned in a 3 step cleaning according to OE approved methods to secure optimal functionality. The kits include needed clamps and gaskets. See page 96 for more information.



## Clamps and Gaskets Included

Clamps and gaskets are included in all DPF, DOC and SCR kits, saving you time and ensures customers receive the right parts for the right repairs.



## Flex & Bellows Program

Dinex flex & bellows decouple engine torque and heat expansion for a better regeneration. Bellows 2S+ and 3S flex come in multiple dimensions and lengths to fit your needs.



## Pipe Treatment Systems

Dinex develops and manufactures complete pipe treatment systems having decades of experience and know-how, which enable us to offer cost-efficient solutions of the highest quality.



## DinSensor Program

The DinSensor program include NOx and temperature sensors for direct replacement of the OE units. The NOx sensor ensures accurate AdBlue dosing, and the temperature sensor measures the temperature to monitor the operation conditions of the aftertreatment components.



# Type approved aftertreatment system components

When you purchase Euro 6 Diesel Oxidation Catalysts, Diesel Particulate Filters and Selective Catalyst Reduction units from Dinex you can fully trust that our product range has been approved according to the regulation (EC) 595/2009.

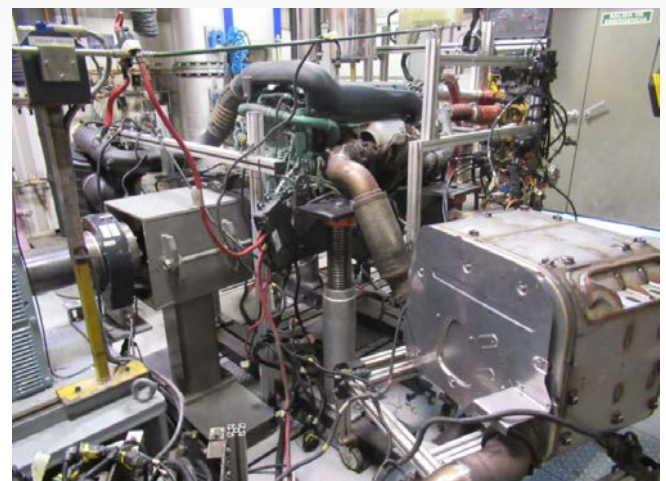
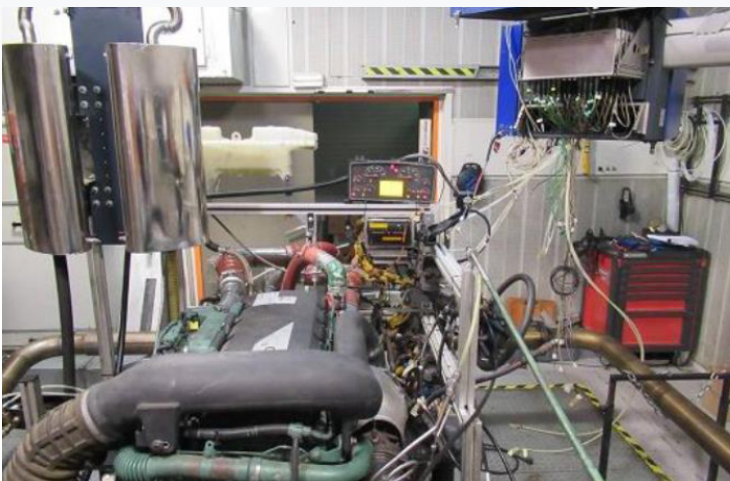
Today aftermarket manufactures do also require a certificate proving that the replacement components not only comply with the emission limits, but also not affect the overall vehicle and exhaust system functionality as well. Dinex ensures our customers trustworthy aftertreatment system components from ordering to installation.

The approval includes predetermined testing at an independent European Automotive certification facility like Idiada, to ensure that Dinex aftertreatment system components meet the Euro 6 emission regulation throughout the product lifecycle.

Dinex can therefore offer our customers to purchase Dinex Diesel Oxidation Catalyst, Diesel Particulate Filter and Selective Catalyst Reduction exhaust units featuring OEM quality. Non approved spareparts on the independent aftermarket can cause increase engine loads, higher fuel consumption and damaging downstream components.



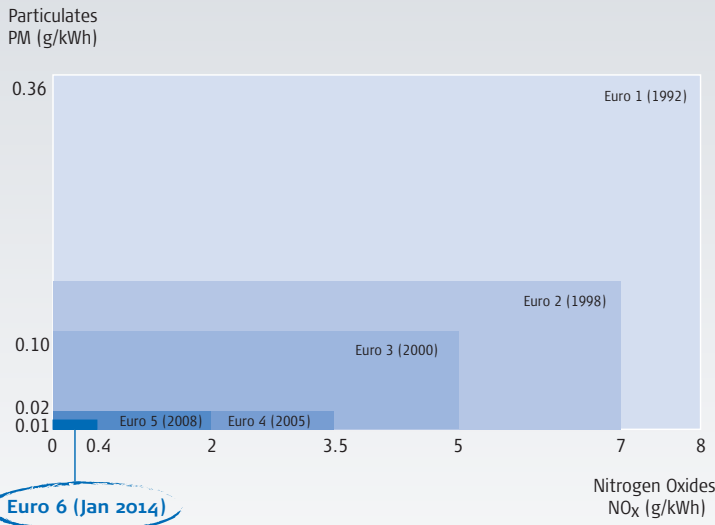
**Applus<sup>+</sup>**  
**IDIADA**





# The exhaust system evolution

Over the past 3 decades the evolution of emission standards in most parts of the world, has driven a significant reduction of harmful substances in the exhaust of diesel vehicles. For instance, in comparison to the 1990s, modern diesel engines emit over 90-95% less Particulate Mass and NOx, reducing impact on environment and benefitting mankind.



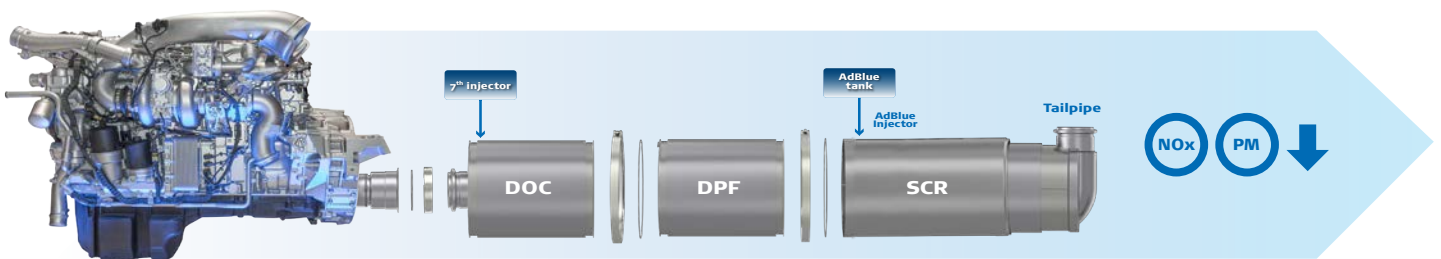
## System w/acoustic silencer module (Euro 3)



## System w/SCR (Euro 4-5)



## System w/DOC + DPF + SCR (Euro 6)



# YOUR PARTNER IN EXHAUST AND EMISSION

Dinex provides system and spare part solutions throughout the exhaust system lifespan!

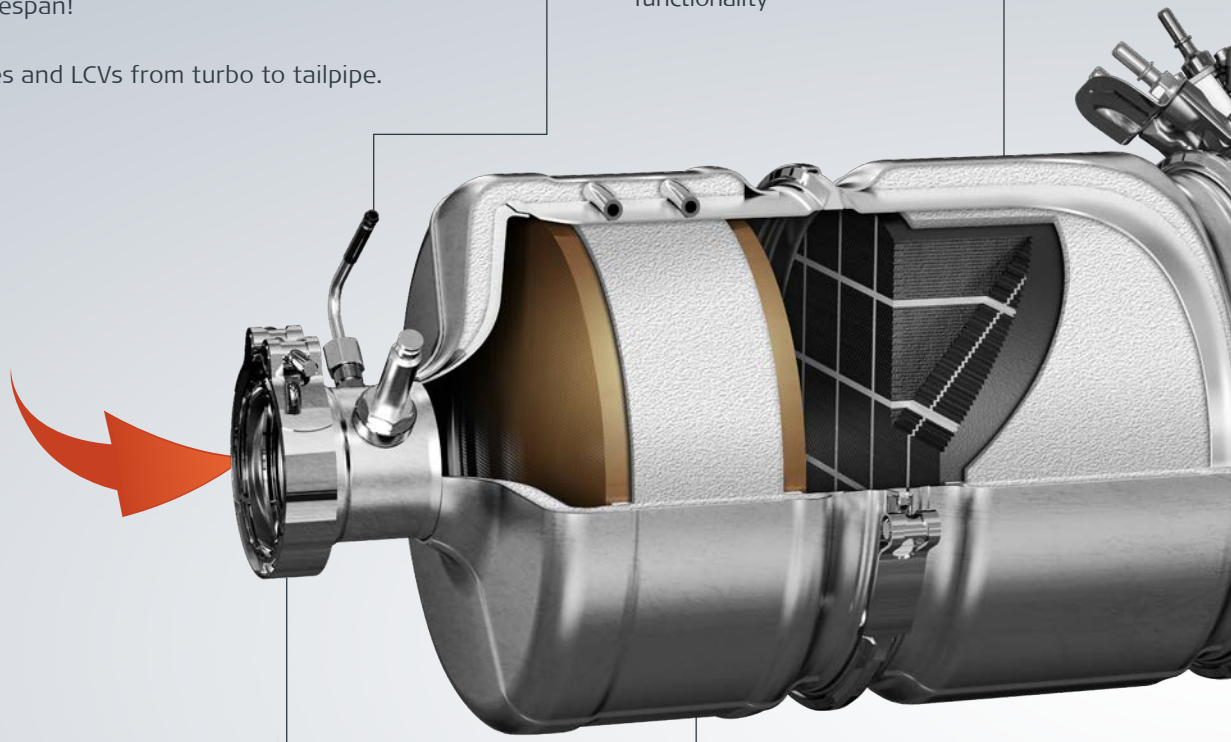
Supplying trucks, buses and LCVs from turbo to tailpipe.



## Temperature sensors

### Features:

- Directly replaceable with OE sensors
- Tested at Dinex test center
- Tested and accredited by third party
- A good choice for proper ATS functionality



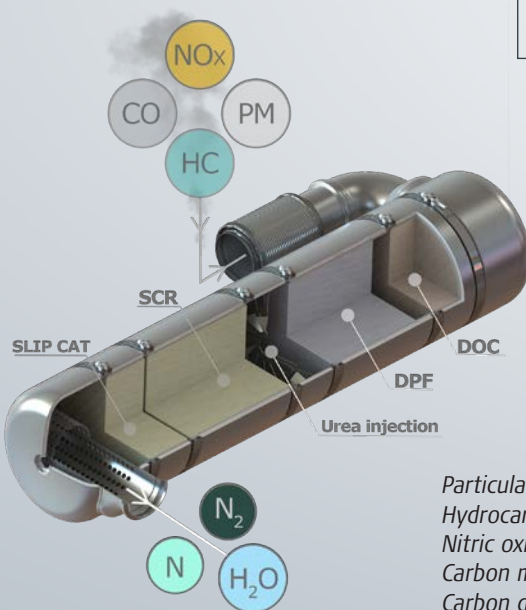
## Front pipes

**Material:** Mild, aluminized or stainless steel

**Dimensions:** Ø22-152,4 mm

### Features:

- Bent pipes from Ø22-152,4 mm.
- May be designed with bellows and D2S+ or D3S flex pipes from aluminized steel and stainless steel
- Directly replaceable with OE parts



Particulate matter (PM)  
Hydrocarbons (HC)  
Nitric oxides (NOx)  
Carbon monoxide (CO)  
Carbon dioxide (CO2)



### DPFs

- Material:** Cordierite or silicon carbide core  
**Dimensions:** Ø116,5-375 mm  
**Features:**
- In-house manufacture and coating
  - Manufactured according to OE technology
  - Match OE performance



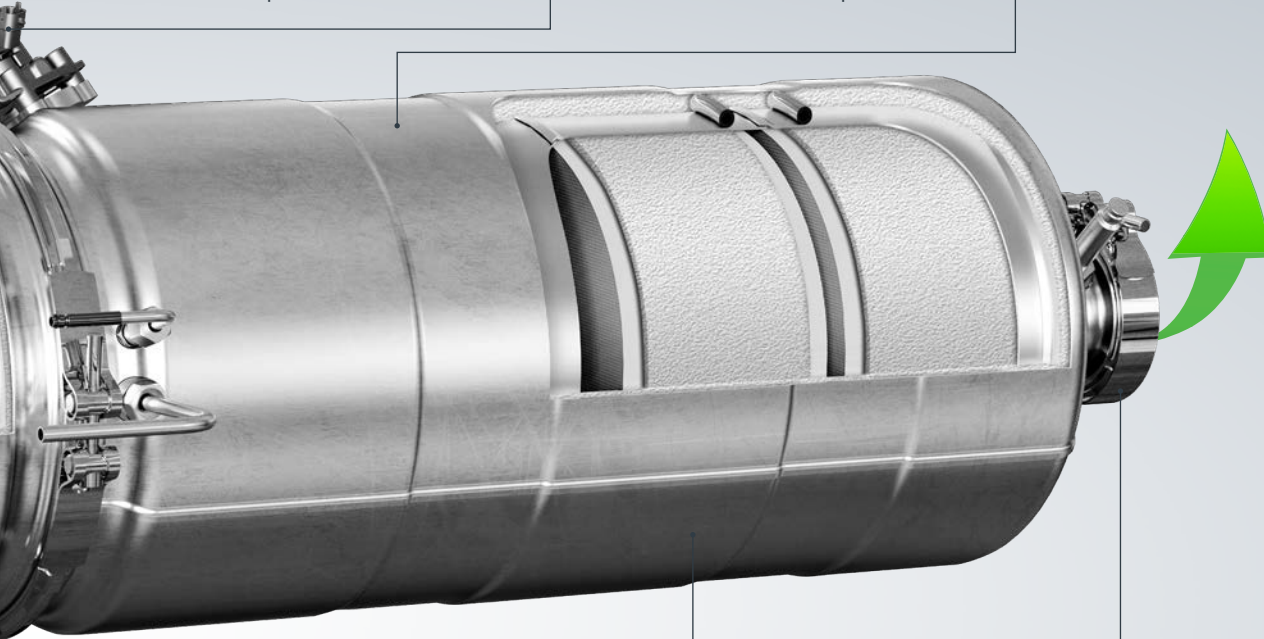
### NOx sensors

- Features:**
- Directly replaceable with OE sensors
  - Tested at Dinex test center
  - Tested and accredited by third party
  - A cost effective balance between emission control and Urea consumption



### Mixers

- Material:** Stainless steel  
**Dimensions:** Ø90-150 mm  
**Features:**
- Mixing exhaust gas and Urea
  - Unique design for optimal exhaust gas and Urea flow



### DOCs

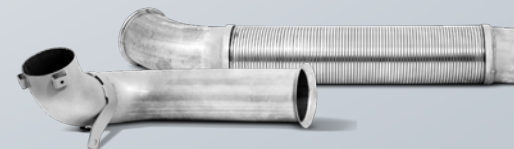
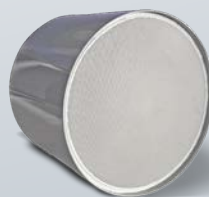
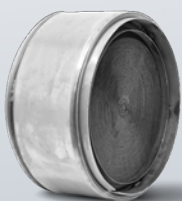
- Material:** Metallic core  
**Dimensions:** Ø152-350 mm  
**Features:**
- High durability and effectiveness
  - Reduced backpressure and fuel consumption
  - In-house design and manufacture
  - Match OE performance

### SCRs

- Material:** Ceramic core  
**Dimensions:** Ø152-350 mm  
**Features:**
- High durability and effectiveness.
  - Extended lifetime and higher efficiency
  - In-house developed technology and manufacture
  - Match OE performance

### Tailpipes

- Material:** Mild, aluminized or stainless steel  
**Dimensions:** Ø22-152,4 mm  
**Features:**
- Bent pipes from Ø22-152,4 mm.
  - Directly replaceable with OE parts



Widest global product range from turbo to tailpipe

Type approved DPF, DOC and SCR units

Global in-house manufacturing

Direct replacement of original exhaust parts

Local presence - we speak your language

Local technical & sales training sessions

Express logistics

Webshop

# YOUR PARTNER IN EXHAUST AND EMISSION

going the extra mile





# What is a DOC?

## DOC stands for Diesel Oxidation Catalyst

The DOC oxidizes carbon monoxide (CO) and hydrocarbons (HC) which creates an exothermic reaction that works in conjunction with the DPF by heating the exhaust going into the DPF. This ensures that the exhaust is hot enough to burn the soot into ash in the DPF.

## How Does a DOC Work?



When an active or manual regeneration is required, the HC (hydrocarbon) injector adds a bit of fuel into the exhaust system.



The HC injector is also called the fuel doser or after treatment injector.



The dosed diesel goes onto the DOC, which by catalytic reaction heats up the DPF.

## When do you see failures in the DOC?

Typically, it is not the DOC that fails, but a failure happens upstream. This causes the DOC to stop working and you get cool regeneration.

### Common Upstream Failures

#### The HC injector clogged:

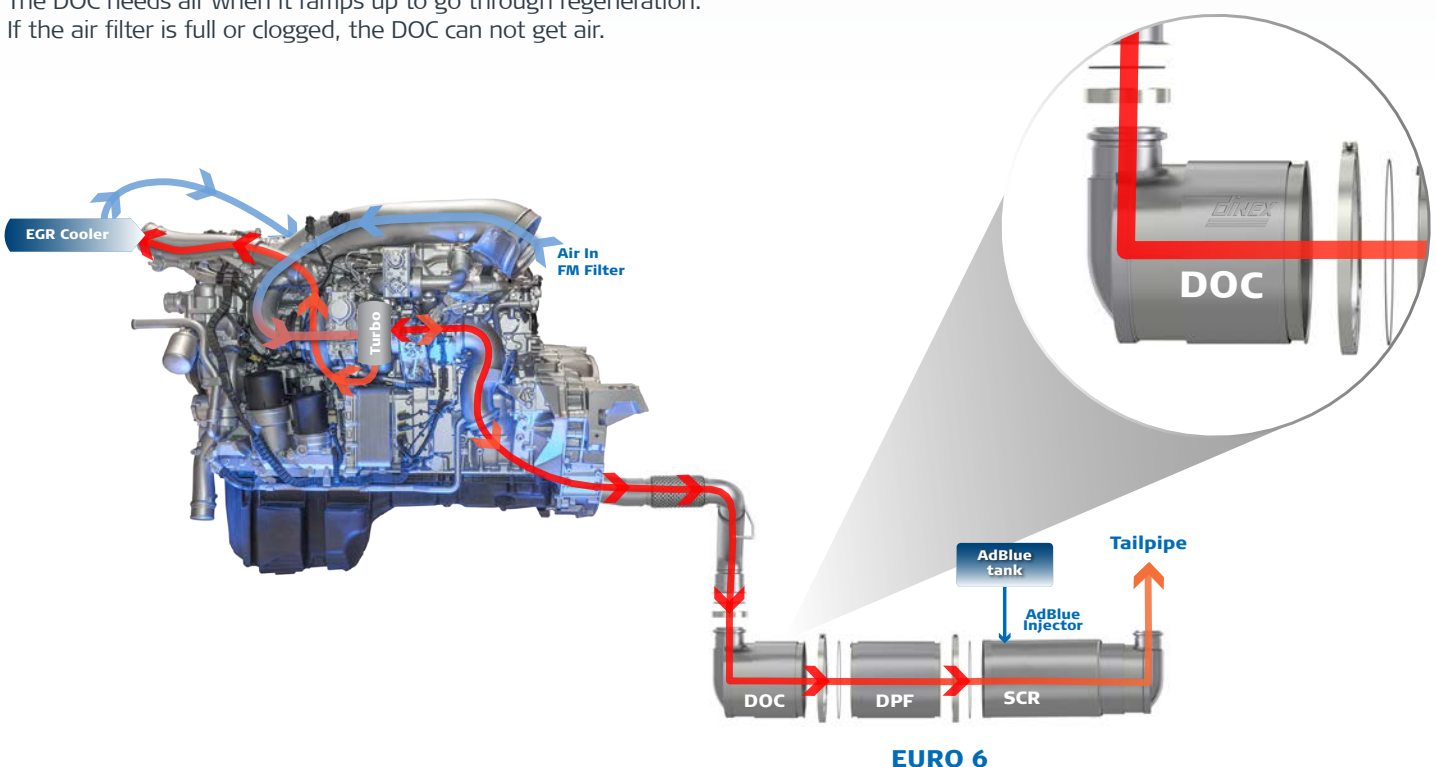
Fuel can mix with soot to clog the injector.

#### EGR coolant leaks & turbo fails:

Oil and coolant sent downstream will contaminate the PGM coating, leading to DOC inactivity. An inactive DOC will struggle to raise the temperature needed for a proper regeneration.

#### The air filter is full:

The DOC needs air when it ramps up to go through regeneration. If the air filter is full or clogged, the DOC can not get air.



EURO 6



# What is a DPF?

## DPF stands for Diesel Particulate Filter

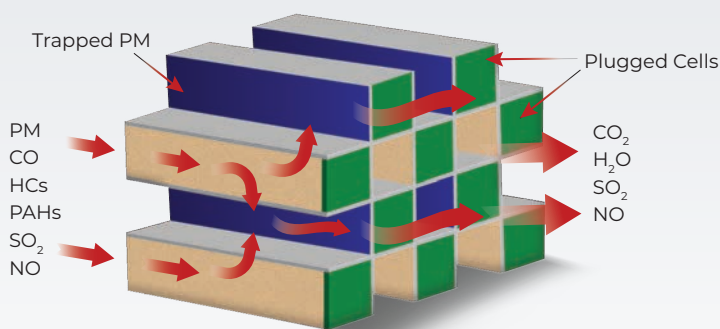
The purpose is to filter Diesel Particulate Matter (PM), also known as soot, out of exhaust gasses.

## How Does a DPF Work?

Exhaust gasses containing soot enter the DPF. The filter traps any matter larger than one micron, allowing gasses through.

Over time, soot builds up in the DPF. Eventually, this causes backpressure detected by the Engine Control Unit (ECU) necessitating regeneration.

Regeneration requires high exhaust temperatures of 570°-750°C. Combining high temperatures and a unique mix of precious metals washcoat the substrate turns soot into ash. The DPF is now regenerated and ready for use.

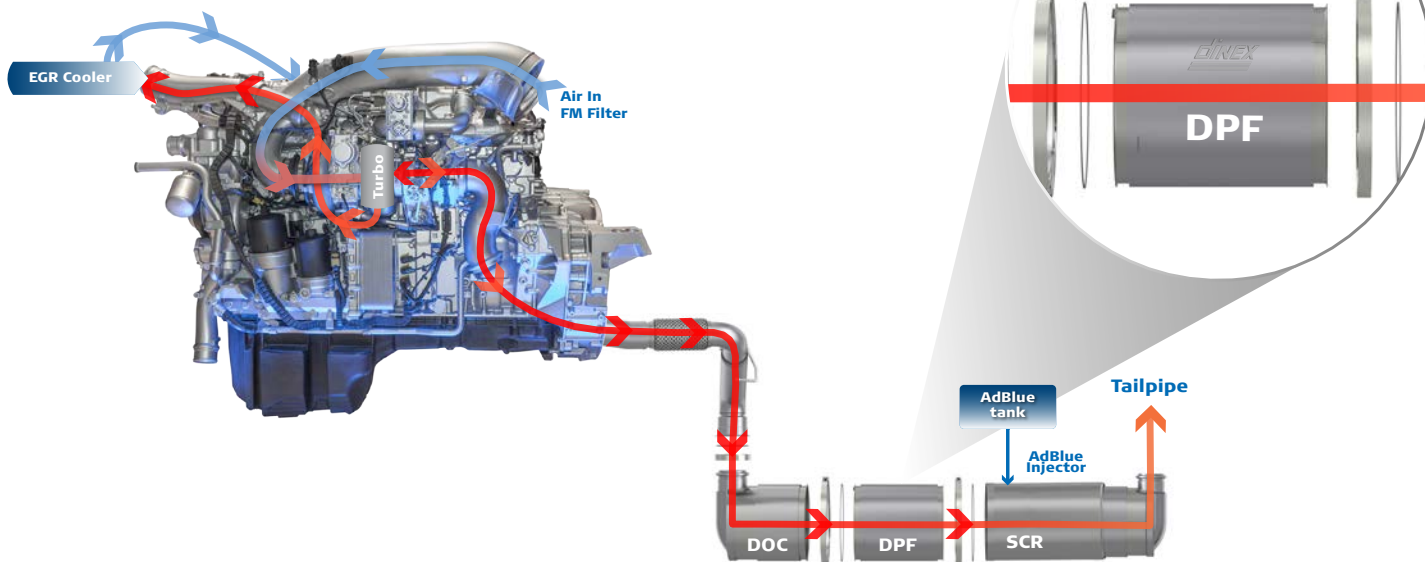


## Types of Regeneration

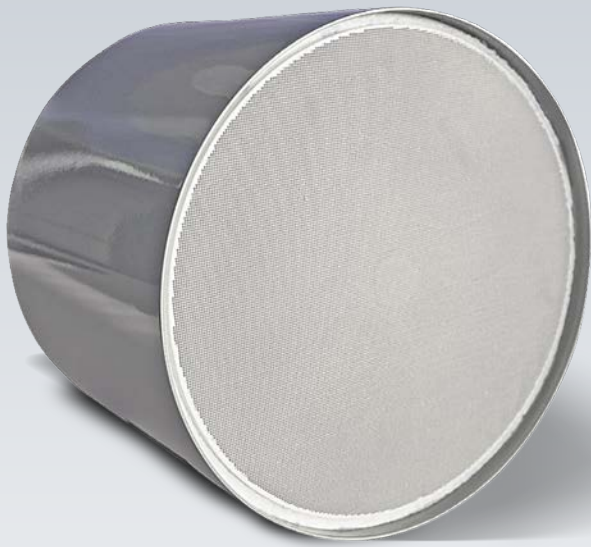
**Passive:** Automatic regeneration that occurs when the DPF reaches the correct exhaust temperatures.

**Active:** If a regeneration does not complete a cycle, but sensors indicate DPF has reached capacity, an active regeneration occurs. The DPF dashboard light indicator will come on and the vehicle must continue to move to finish the cycle.

**Manual:** If an active regeneration can not complete, typically due to short drive times, then a manual regeneration will be required in a shop.



EURO 6

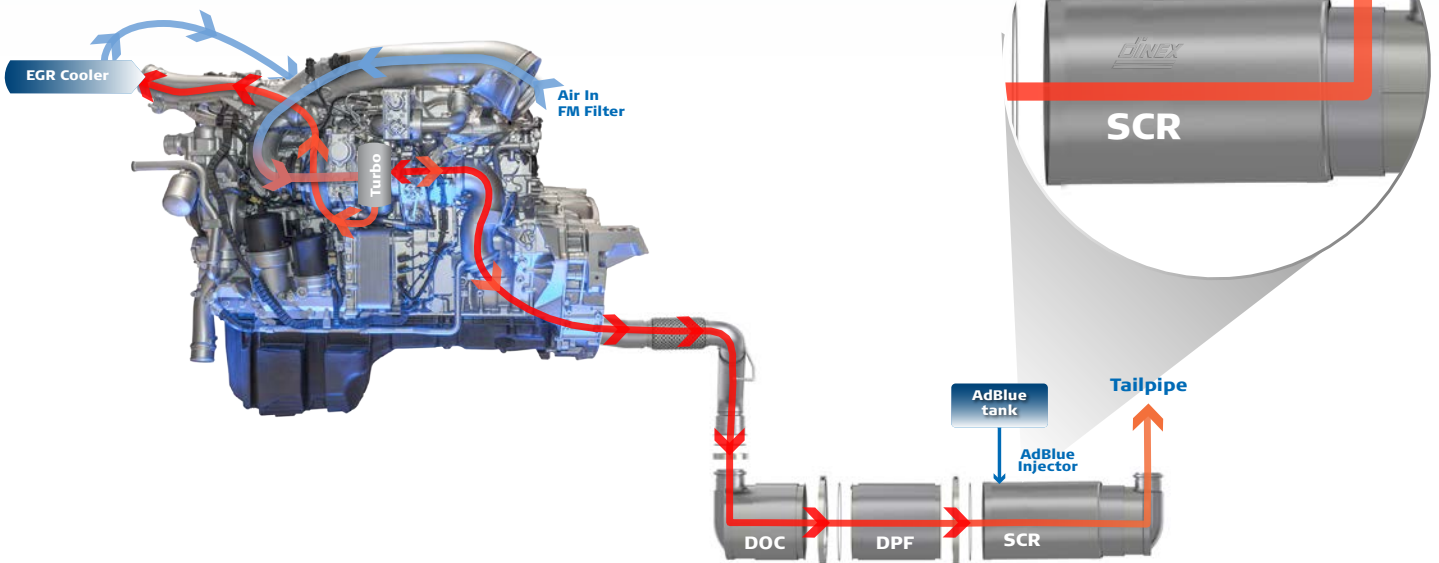
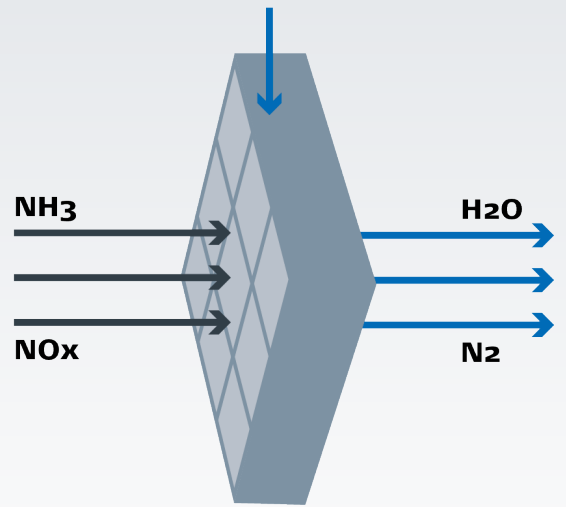


# What is an SCR?

## SCR stands for Selective Catalytic Reduction

The SCR uses a water-based Diesel Exhaust Fluid (AdBlue) that is first converted into ammonia via hydrolysis at 392+°C and pushed through the substrate removing NOx.

The SCR substrate is coated with a solution of copper, iron or zeolites. The ASC zone also contains platinum group metals (PGM).



EURO 6

# DAF



## Content DAF

ATS solution comprising cordierite or high porosity silicon carbide DPF with optimal PGM loading for soot-free emissions and cordierite DOC and SCR for the highest catalytic efficiency. Coupled with Dinex bellow and insulation technologies, perfect for OE replacement. ATS silencer consists of two sections with DOC and DPF and the section with SCR. Dinex also offers all exhaust pipes and other parts related to exhaust systems for DAF trucks.

### Type/Model

LF .....	17
CF .....	19
XF .....	24



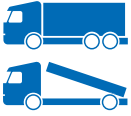
# DAF

# LF

## EURO 6 - Horizontal

### System no: 121000087

4x2



### Vehicle engine

PX5 / 4.5 ltr. / 4 cyl.  
112KW / 150HP  
135KW / 180HP  
157KW / 210HP

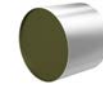


### Built-in substrates\*

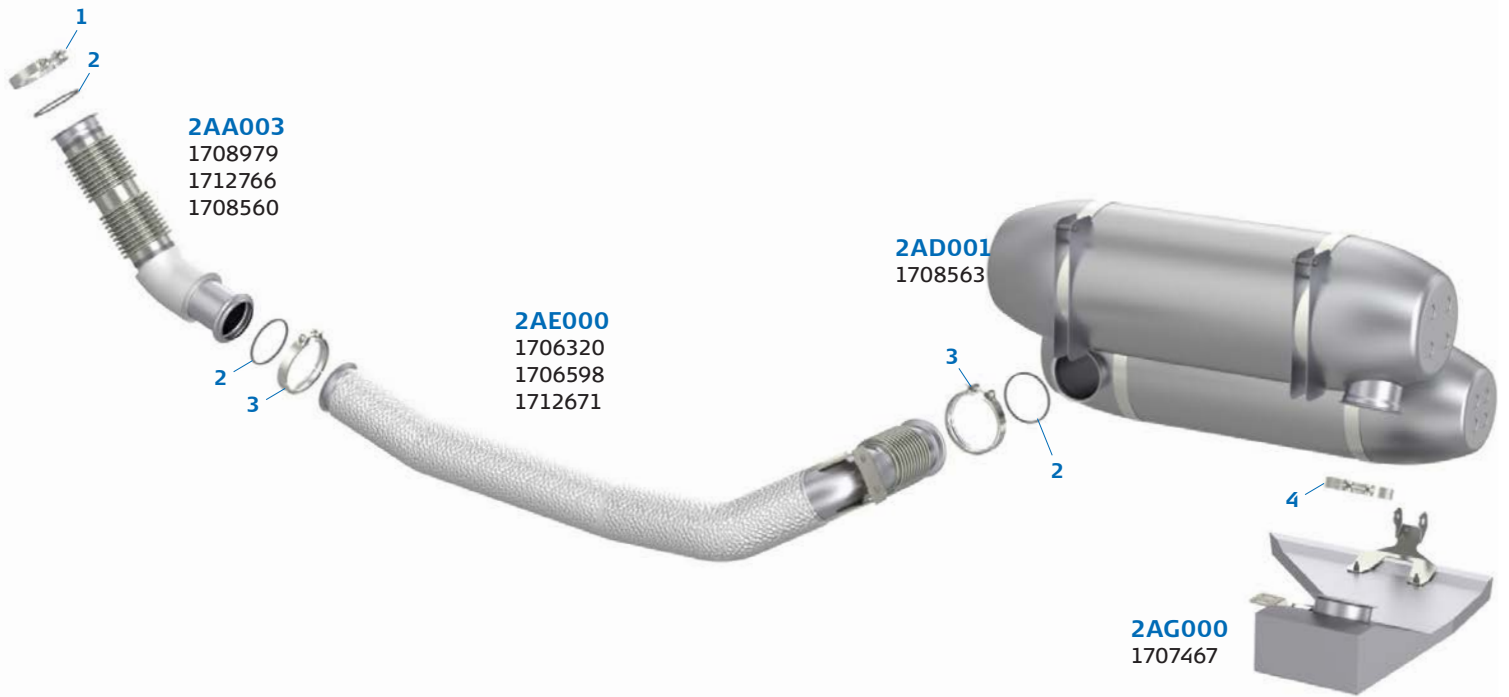
DOC  
9AA045



SCR with ASC  
9AA088



\*See page 94.



### Dinex diesel particulate filter kit

Dinex no: 2AI003 / New  
Dinex no: 2AI003-RX / Reconditioned



OE no: 1961522  
Type: Diesel Particle Filter  
Technology: HP-SIC

Kit number: 2AL022  
OE no: 1976845



Dinex no: 6LL011  
Type: Clamp

Dinex no: 6LL012  
Type: Gasket

### Sensors



Dinex no: 22044  
OE no: 1971911  
Dinex no: 22045  
OE no: 1971903  
Type: Temperature Sensor



Dinex no: 22038\*\*  
OE no: 1971946  
Dinex no: 22039\*\*  
OE no: 1928761  
Type: NOx Sensor

### Accessories

No.	Dinex no	OE no	Type
1.	2AL000	1708562	Clamp
2.	2AL013	1704961 1711731	Gasket
3.	2AL001	1704962	Clamp
4.	2AL020	1707468	Clamp

Manufacturers part numbers are quoted for reference only.

All accessories are included within the DPF kits or can be purchased separately. \*\*See page 101 for Continental reference to ensure correct software revision.

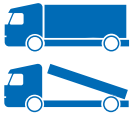
# DAF

# LF

## EURO 6 - Horizontal

### System no: 121000088

4x2



### Vehicle engine

PX7 / 6.7 ltr. / 6 cyl.

164KW / 220HP

186KW / 250HP

208KW / 280HP

231KW / 310HP

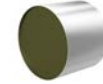


### Built-in substrates\*

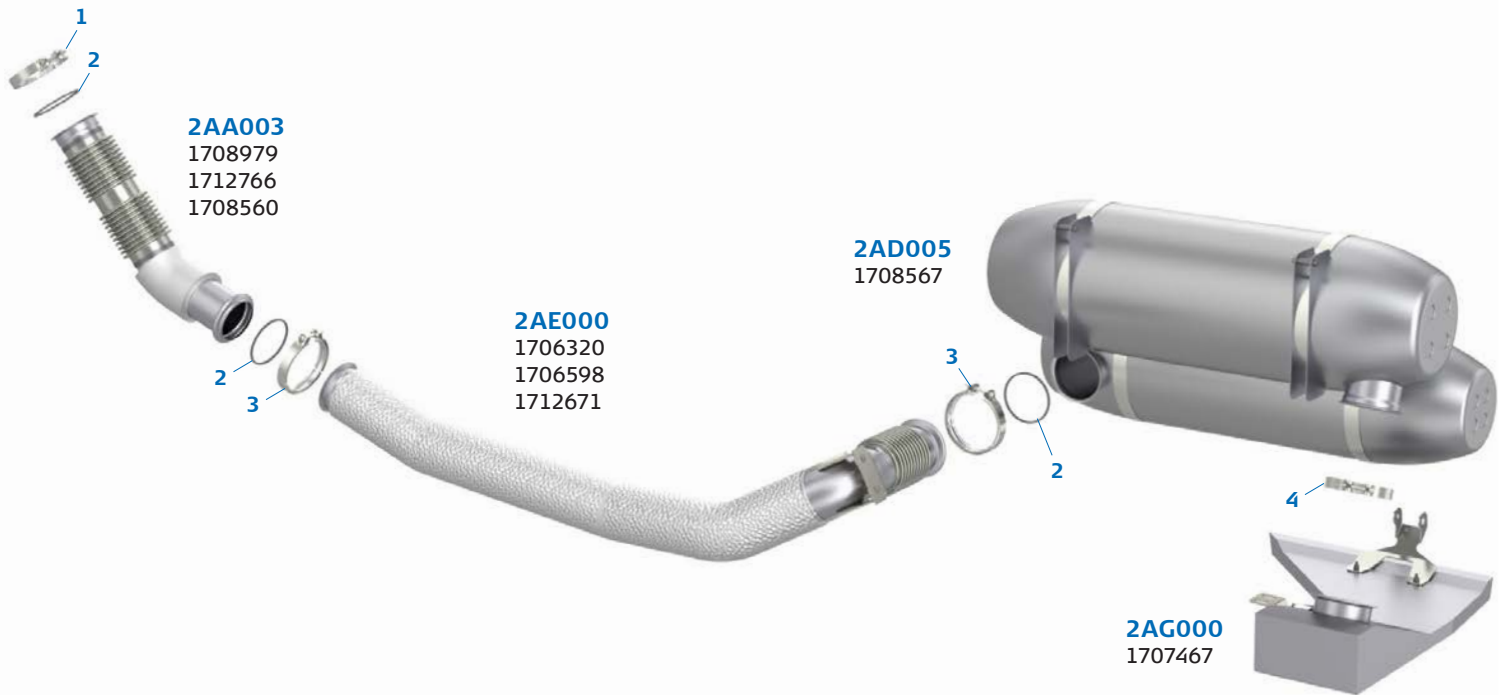
DOC  
9AA045



SCR with ASC  
9AA088



\*See page 94.



**2AA003**  
1708979  
1712766  
1708560

**2AE000**  
1706320  
1706598  
1712671

**2AD005**  
1708567

**2AG000**  
1707467

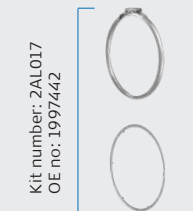
## Dinex diesel particulate filter kit

Dinex no: 1J1001 / New

Dinex no: 1J1001-RX / Reconditioned



OE no: 2137422, 1997433  
Type: Diesel Particle Filter  
Technology: HP-SiC



Dinex no: 2AL019  
Type: Clamp

Dinex no: 2AL018  
Type: Gasket

Kit number: 2AL017  
OE no: 1997442

## Sensors



Dinex no: 22044  
OE no: 1971911  
Dinex no: 22045  
OE no: 1971903  
Type: Temperature Sensor



Dinex no: 22038\*\*  
OE no: 1971946  
Dinex no: 22039\*\*  
OE no: 1928761  
Type: NOx Sensor

## Accessories

No.	Dinex no	OE no	Type
1.	2AL000	1708562	Clamp
2.	2AL013	1704961 1711731	Gasket
3.	2AL001	1704962	Clamp
4.	2AL020	1707468	Clamp

Manufacturers part numbers are quoted for reference only.

All accessories are included within the DPF kits or can be purchased separately. \*\*See page 101 for Continental reference to ensure correct software revision.

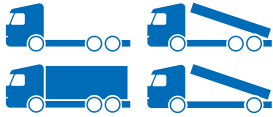
# DAF

# CF

## EURO 6 - Horizontal

### System no: 121000090

4x2 - 6x2 - 6x2/4 - 6x4



### Vehicle engine

**MX11 / 10.8 ltr. / 6 cyl.**

210KW / 290HP

240KW / 330HP

271KW / 370HP

291KW / 400HP

320KW / 440HP

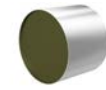


### Built-in substrates\*

DOC  
9AA026



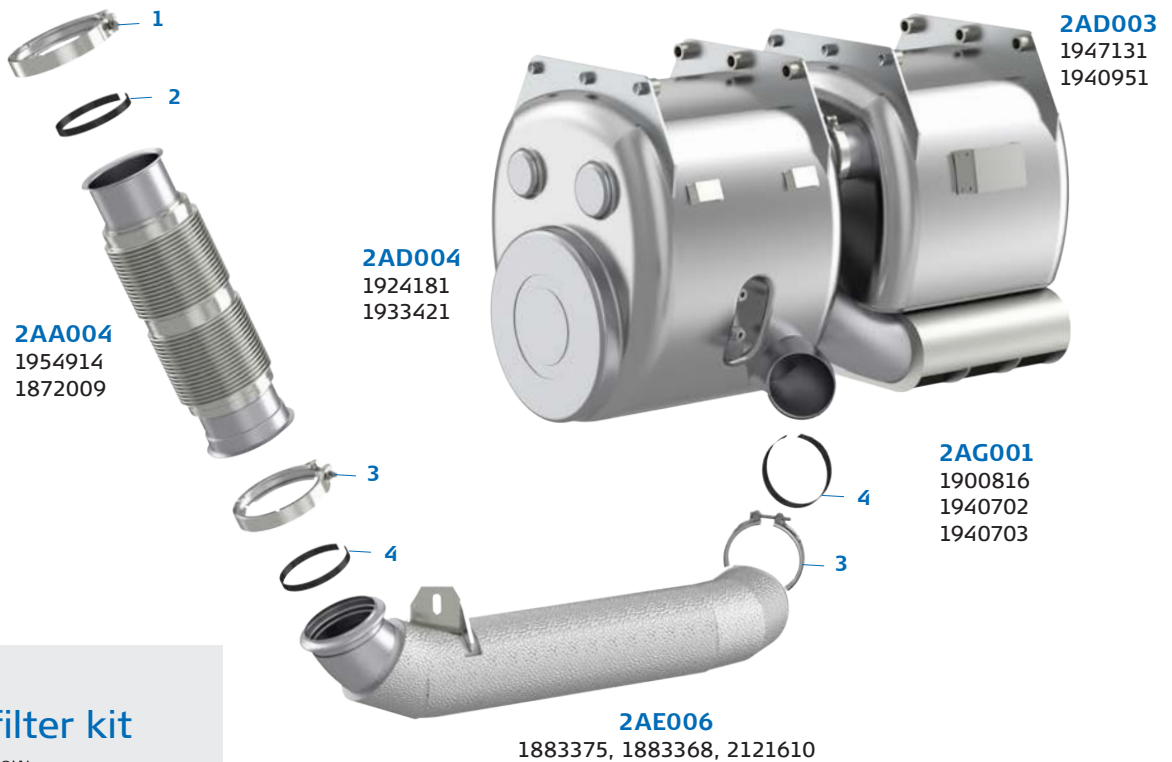
SCR with ASC  
9AA087



\*See page 94.

### Accessories

No.	Dinex no	OE no	Type
1.	2AL002	1980467 1997980	Clamp
2.	2AL003	1895549	Gasket
3.	2AL004	1980468 1997981	Clamp
4.	2AL005	1895550	Gasket



### Dinex diesel particulate filter kit

Dinex no: 2AI000 / New

Dinex no: 2AI000-RX / Reconditioned



OE no: 1891485, 1945456,  
2137441R

Type: Diesel Particle Filter

Kit number: 2AI004  
OE no: 1927181



Dinex no: 2AL008  
Type: Gasket



Dinex no: 2AL009  
Type: Clamp

(included in kit number 2AI004)



Dinex no: 2AL010  
Type: Thin gasket



Dinex no: 2AL011  
Type: Rope



Dinex no: 2AL012  
Type: Knitwire

### Sensors



Dinex no: 22042  
OE no: 1851853  
Dinex no: 22043  
OE no: 1863283  
Type: Temperature Sensor



Dinex no: 22035\*\*  
OE no: 1862931,  
2139930  
Type: NOx Sensor

Manufacturers part numbers are quoted for reference only.

All accessories are included within the DPF kits or can be purchased separately. \*\*See page 101 for Continental reference to ensure correct software revision.

EURO 6 - Horizontal

**System no:** 121000092

6x2



### Vehicle engine

**MX11 / 10.8 ltr. / 6 cyl.**

210KW / 290HP

240KW / 330HP

271KW / 370HP

291KW / 400HP

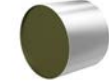
320KW / 440HP



### Built-in substrates\*

DOC  
9AA026

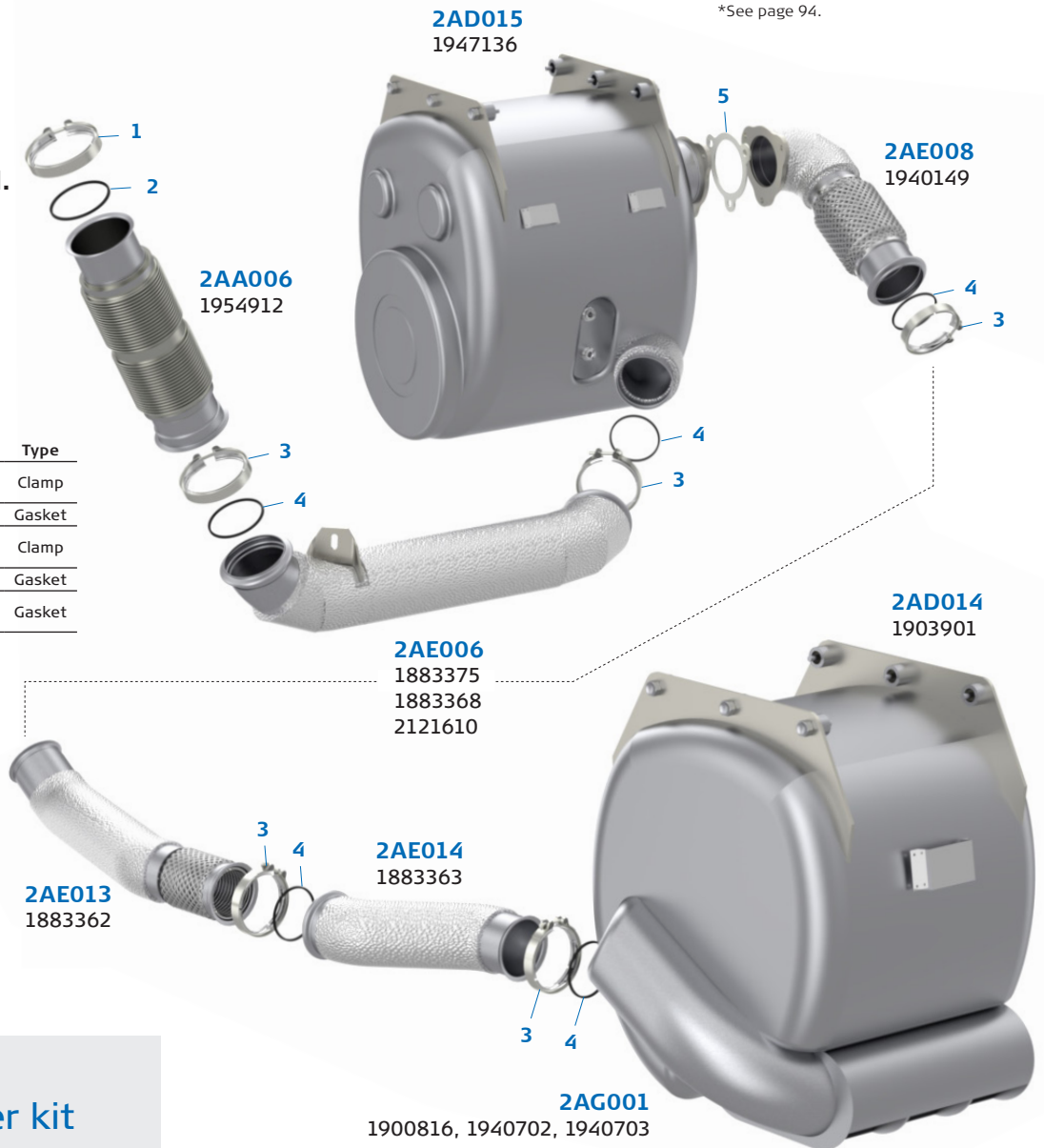
SCR with ASC  
9AA087



\*See page 94.

### Accessories

No.	Dinex no	OE no	Type
1.	2AL002	1980467 1997980	Clamp
2.	2AL003	1895549	Gasket
3.	2AL004	1980468 1997981	Clamp
4.	2AL005	1895550	Gasket
5.	2AL006	1836930 1977517	Gasket



### Dinex diesel particulate filter kit

Dinex no: 2AI000 / New

Dinex no: 2AI000-RX / Reconditioned



OE no: 1891485, 1945456,  
2137441R  
Type: Diesel Particle Filter



Dinex no: 2AL008  
Type: Gasket

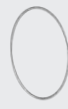


Dinex no: 2AL009  
Type: Clamp

(included in kit number 2AI004)



Dinex no: 2AL010  
Type: Thin gasket



Dinex no: 2AL011  
Type: Rope



Dinex no: 2AL012  
Type: Knitwire

### Sensors



Dinex no: 22042  
OE no: 1851853  
Dinex no: 22043  
OE no: 1863283  
Type: Temperature Sensor

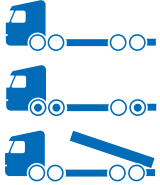


Dinex no: 22035\*\*  
OE no: 1862931,  
2139930  
Type: NOx Sensor

## EURO 6 - Horizontal

**System no:** 121000093

8x4 - 8x2/4 - 8x2/6 - 8x2/4 - 8x4/4



### Vehicle engine

**MX13 / 12.9 ltr. / 6 cyl.**

303KW / 412HP

340KW / 460HP

375KW / 510HP

### Accessories

No.	Dinex no	OE no	Type
1.	2AL002	1980467 1997980	Clamp
2.	2AL003	1895549	Gasket
3.	2AL004	1980468 1997981	Clamp
4.	2AL005	1895550	Gasket
5.	2AL006	1836930 1977517	Gasket



### Built-in substrates\*

DOC  
9AA026



SCR with ASC  
9AA087



\*See page 94.

**2AD016**  
1924189

**2AE005**  
1883377  
2036204

**2AE016**  
1883373  
2015357

**2AG001**  
1900816  
1940702  
1940703

**2AD017**  
1947139

**2AA004**  
1954914  
1872009

**2AE004**  
1883371

### Dinex diesel particulate filter kit

Dinex no: 2AI000 / New

Dinex no: 2AI000-RX / Reconditioned



OE no: 1891485, 1945456,  
2137441R  
Type: Diesel Particle Filter



Dinex no: 2AL008  
Type: Gasket



Dinex no: 2AL009  
Type: Clamp

(included in kit number 2AI004)



Dinex no: 2AL010  
Type: Thin gasket



Dinex no: 2AL011  
Type: Rope



Dinex no: 2AL012  
Type: Knitwire

### Sensors



Dinex no: 22042  
OE no: 1851853  
Dinex no: 22043  
OE no: 1863283  
Type: Temperature Sensor



Dinex no: 22035\*\*  
OE no: 1862931,  
2139930  
Type: NOx Sensor

# DAF

# CF

## EURO 6 - Vertical

**System no:** 121001035

4x2 - 6x2 - 6x2/4



**Vehicle engine**

**PX7 / 6.7 ltr. / 6 cyl.**

164KW / 220HP

186KW / 250HP

208KW / 280HP

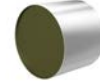
231KW / 310HP



**Built-in substrates\***

DOC  
9AA045

SCR with ASC  
9AA088



\*See page 94.

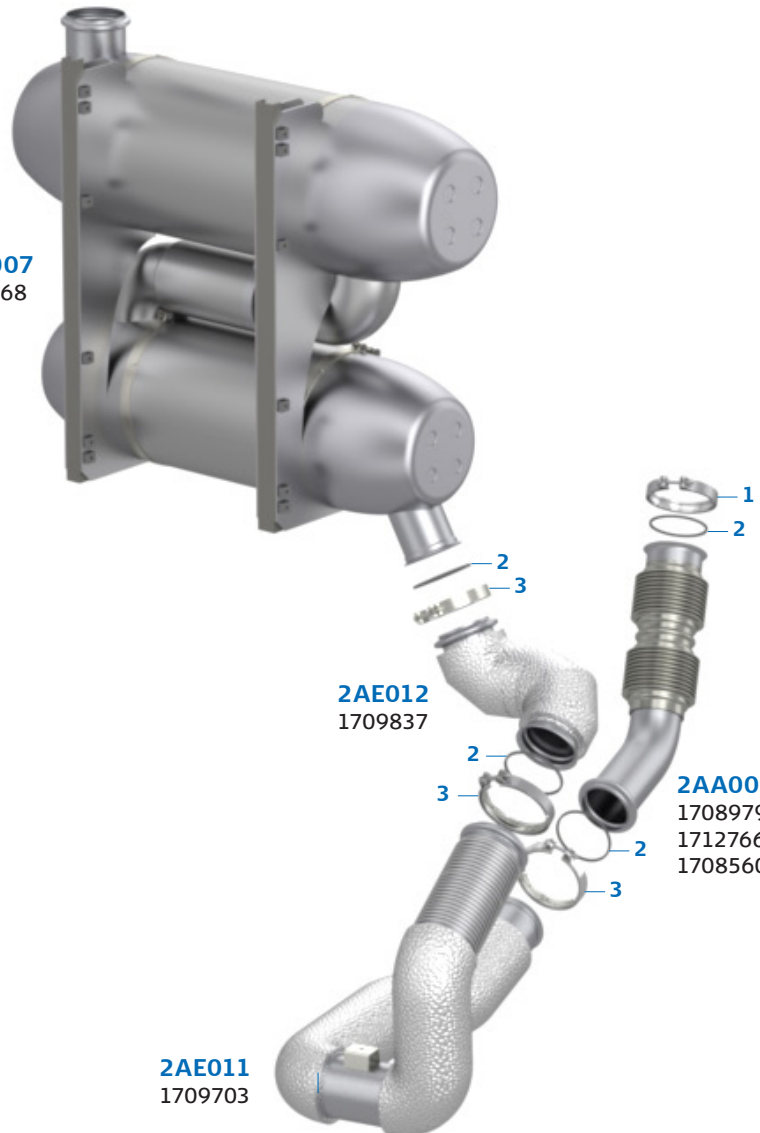
**2AG002**  
1709852



**Accessories**

No.	Dinex no	OE no	Type
1.	2AL000	1708562	Clamp
2.	2AL013	1704961 1711731	Gasket
3.	2AL001	1704962	Clamp
4.	2AL020	1707468	Clamp
5.	99704	1702279 1701991	Clamp

**2AD007**  
1709468



## Dinex diesel particulate filter kit

Dinex no: 2AI003 / New

Dinex no: 2AI003-RX / Reconditioned



**OE no:** 1961522  
**Type:** Diesel Particle Filter  
**Technology:** HP-SiC

Kit number: 2AI022  
OE no: 1976845



**Dinex no:** 6LL011  
**Type:** Clamp

**Dinex no:** 6LL012  
**Type:** Gasket

## Sensors



**Dinex no:** 22044  
**OE no:** 1971911  
**Dinex no:** 22045  
**OE no:** 1971903  
**Type:** Temperature Sensor



**Dinex no:** 22035\*\*  
**OE no:** 1862931,  
2139930  
**Dinex no:** 22029\*\*  
**OE no:** 2040451  
**Type:** NOx Sensor

Manufacturers part numbers are quoted for reference only.

All accessories are included within the DPF kits or can be purchased separately. \*\*See page 101 for Continental reference to ensure correct software revision.

## EURO 6 - Vertical

**System no:** 121001034

8x4 - 8x2/4 - 8x2/6 - 8x4/4



### Vehicle engine

**MX11 / 10.8 ltr. / 6 cyl.**

210KW / 290HP

240KW / 330HP

271KW / 370HP

291KW / 400HP

320KW / 440HP

### Dinex diesel particulate filter kit

Dinex no: 2AI000 / New

Dinex no: 2AI000-RX / Reconditioned



**OE no:** 1891485, 1945456, 2137441R

**Type:** Diesel Particle Filter



**Dinex no:** 2AL008  
**Type:** Gasket



**Dinex no:** 2AL009  
**Type:** Clamp



**Dinex no:** 2AL010  
**Type:** Thin gasket



**Dinex no:** 2AL011  
**Type:** Rope



**Dinex no:** 2AL012  
**Type:** Knitwire

Kit number: 2AI004  
OE no: 1927181

### Sensors



**Dinex no:** 22042

**OE no:** 1851853

**Dinex no:** 22043

**OE no:** 1863283

**Type:** Temperature Sensor



**Dinex no:** 22035\*\*

**OE no:** 1862931, 2139930

**Type:** NOx Sensor



### Built-in substrates\*

**DOC**  
9AA026



**SCR with ASC**  
9AA087



\*See page 94.

### Accessories

No.	Dinex no	OE no	Type
1.	2AL002	1980467 1997980	Clamp
2.	2AL003	1895549	Gasket
3.	2AL004	1980468 1997981	Clamp
4.	2AL005	1895550	Gasket
5.	2AL007	1827321	Clamp
6.	2AL021	1827320	Gasket
7.	99730	1296068	Clamp

**2AG004**  
1972579



**2AD006**  
1924188



**2AE015**  
1939327



**2AA006**  
1954912



**2AE006**  
1883375  
1883368  
2121610



**2AD018**  
1947138



EURO 6 - Horizontal

**System no:** 121000091

4x2 - 6x2 - 6x2/4



**Vehicle engine**

**MX11 / 10.8 ltr. / 6 cyl.**

210KW / 290HP

240KW / 330HP

271KW / 370HP

291KW / 400HP

320KW / 440HP

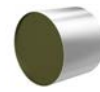


**Built-in substrates\***

DOC  
9AA026



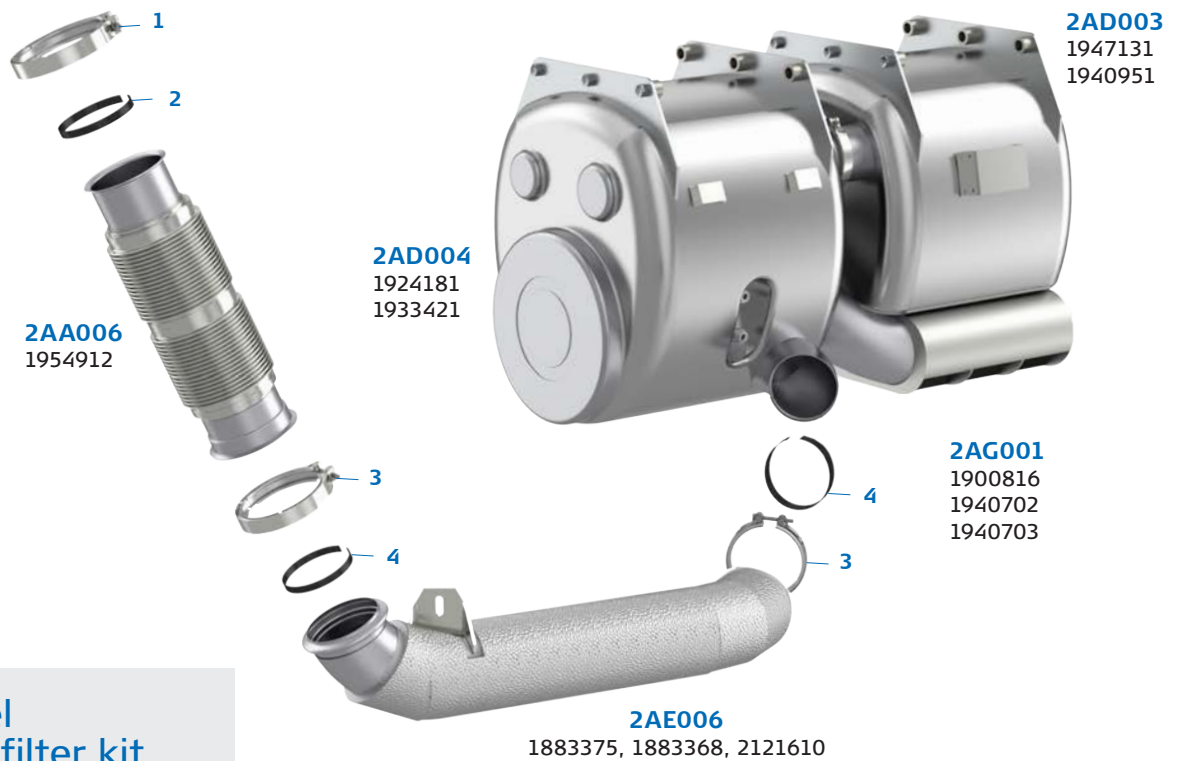
SCR with ASC  
9AA087



\*See page 94.

**Accessories**

No.	Dinex no	OE no	Type
1.	2AL002	1980467 1997980	Clamp
2.	2AL003	1895549	Gasket
3.	2AL004	1980468 1997981	Clamp
4.	2AL005	1895550	Gasket



## Dinex diesel particulate filter kit

Dinex no: 2AI000 / New

Dinex no: 2AI000-RX / Reconditioned



Kit number: 2AI004  
OE no: 1927181



OE no: 1891485, 1945456,  
2137441R  
Type: Diesel Particle Filter

Dinex no: 2AL008  
Type: Gasket

Dinex no: 2AL009  
Type: Clamp

(included in kit number 2AI004)



Dinex no: 2AL010  
Type: Thin gasket

Dinex no: 2AL011  
Type: Rope

Dinex no: 2AL012  
Type: Knitwire

## Sensors



Dinex no: 22042  
OE no: 1851853  
Dinex no: 22043  
OE no: 1863283  
Type: Temperature Sensor



Dinex no: 22035\*\*  
OE no: 1862931,  
2139930  
Type: NOx Sensor



# DAF

# XF

## EURO 6 - Horizontal

### System no: 121000089

4x2 - 6x2 - 6x2/4 - 6x4



### Vehicle engine

**MX13 / 12.9 ltr. / 6 cyl.**  
303KW / 412HP  
340KW / 460HP  
375KW / 510HP



**2AA004**  
1954914  
1872009

**2AE001**  
1980139  
2037072  
1951177

**2AE002**  
1883366

**2AD019**  
1947132

**2AD020**  
1933422

**2AG001**  
1900816  
1940702  
1940703

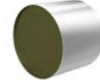


### Built-in substrates\*

DOC  
9AA026



SCR with ASC  
9AA087



\*See page 94.

### Accessories

No.	Dinex no	OE no	Type
1.	2AL002	1980467 1997980	Clamp
2.	2AL003	1895549	Gasket
3.	2AL004	1980468 1997981	Clamp
4.	2AL005	1895550	Gasket

## Dinex diesel particulate filter kit

Dinex no: 2AI000 / New  
Dinex no: 2AI000-RX / Reconditioned



OE no: 1891485, 1945456,  
2137441R  
Type: Diesel Particle Filter

Kit number: 2AI004  
OE no: 1927181



Dinex no: 2AL008  
Type: Gasket



Dinex no: 2AL009  
Type: Clamp

(included in kit number 2AI004)



Dinex no: 2AL010  
Type: Thin gasket



Dinex no: 2AL011  
Type: Rope



Dinex no: 2AL012  
Type: Knitwire

## Sensors



Dinex no: 22043  
OE no: 1863283  
Dinex no: 22046  
OE no: 1924191  
Type: Temperature Sensor



Dinex no: 22035\*\*  
OE no: 1862931,  
2139930  
Type: NOx Sensor

Manufacturers part numbers are quoted for reference only.

All accessories are included within the DPF kits or can be purchased separately. \*\*See page 101 for Continental reference to ensure correct software revision.

## Content IVECO

A one-box ATS system with cordierite DPF, DOC and SCR coupled with insulated front-pipe for maximum heat retention and emission reduction efficiency. DPF has easy access for replacement or maintenance. Dinex also offers wide range of exhaust pipes and other parts related to exhaust system for Iveco trucks.

### Type/Model

Eurocargo .....	27
Stralis .....	29
Trakker .....	36
Trakker/Stralis .....	38

EURO 6 - Horizontal

**System no:** 128000009

4x2



## Vehicle engine

**Tector 7 / 4.5 ltr. / 4 cyl.**

161KW / 220HP

183KW / 250HP

205KW / 280HP

235KW / 320HP

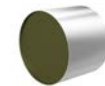


## Built-in substrates\*

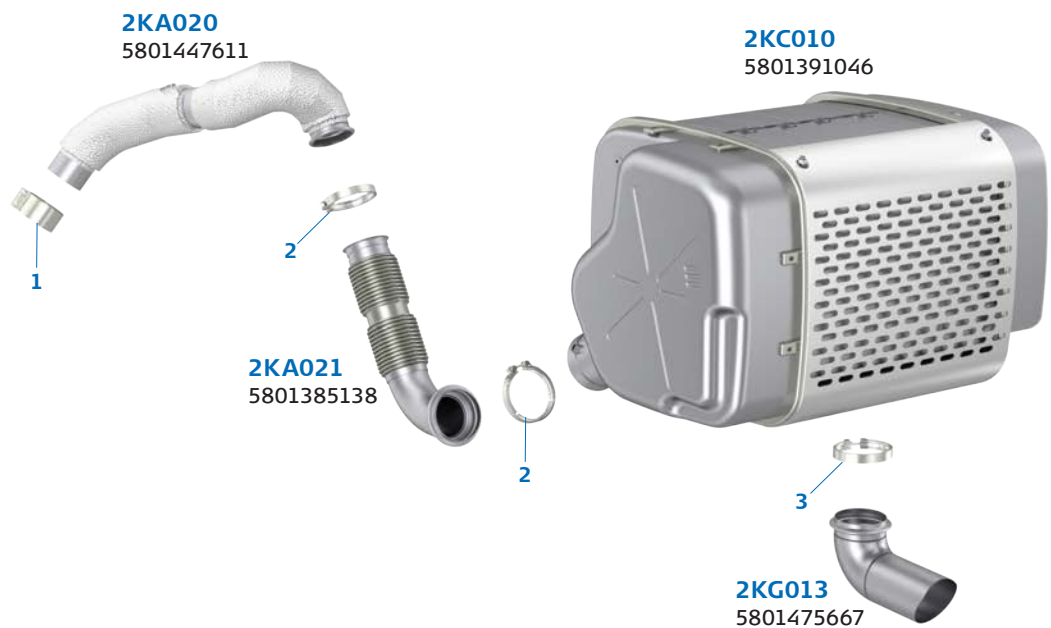
DOC  
9AA048



SCR with ASC  
9AA091



\*See page 94.



## Dinex diesel particulate filter kit

**Dinex no:** 2KI015 / New

**Dinex no:** 2KI015-RX / Reconditioned



**OE no:** 5801651208,  
5802045133  
**Type:** Diesel Particle Filter



**Dinex no:** 2KL030  
**Type:** Clamp



**Dinex no:** 2KL029  
**Type:** Clamp



**Dinex no:** 2KL028  
**Type:** Gasket

Kit number: 2KL017  
OE no: 5801651206

## Sensors



**Dinex no:** 29042  
**OE no:** 5801455941  
**Dinex no:** 29045  
**OE no:** 5801908973  
**Dinex no:** 29046  
**OE no:** 5801922815  
**Dinex no:** 29047  
**OE no:** 5801732665  
**Type:** Temperature Sensor



**Dinex no:** 29032\*\*  
**OE no:** 5801754014,  
5801627703  
**Type:** NOx Sensor

x2

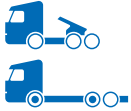
## Accessories

No.	Dinex no	OE no	Type
1.	99489	Universal	Clamp
2.	70819	500339542 5801680759	Clamp
3.	2KL018	5801478451	Clamp

## EURO 6 - Horizontal

**System no:** 128000010

4x2 - 6x2



### Vehicle engine

**Tector 5 / 6.7 ltr. / 6 cyl.**

117KW / 160HP

139KW / 190HP

154KW / 210HP

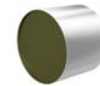


### Built-in substrates\*

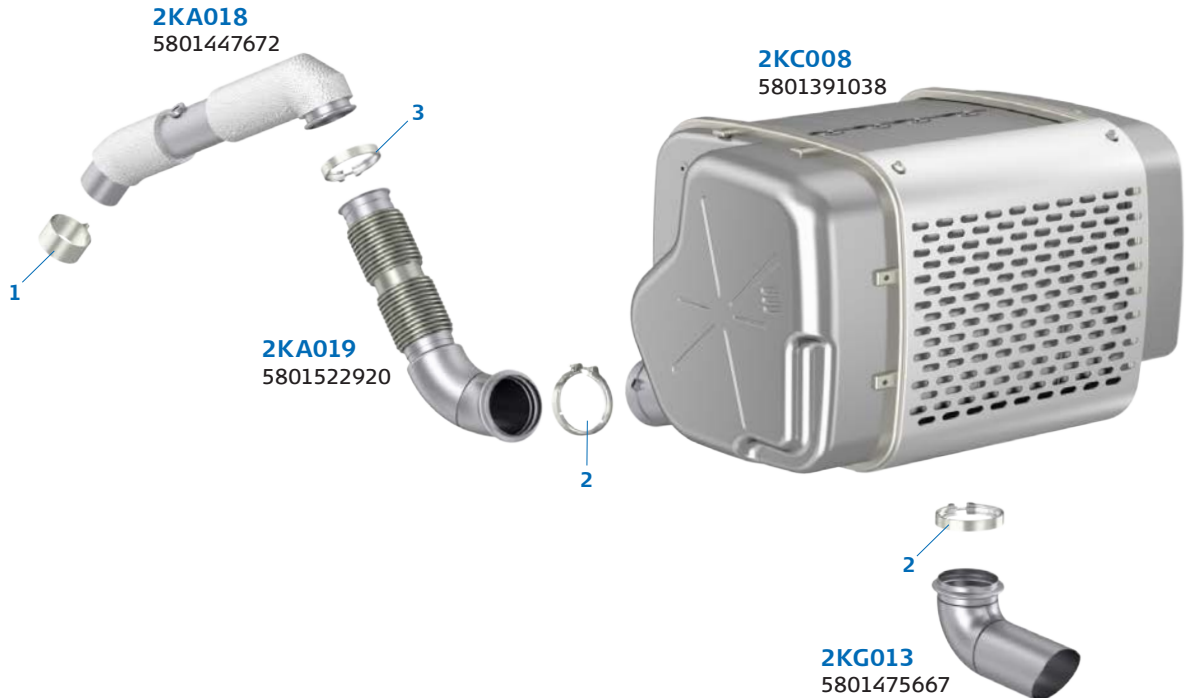
DOC  
9AA048



SCR with ASC  
9AA091



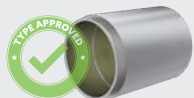
\*See page 94.



## Dinex diesel particulate filter kit

Dinex no: 2KI014 / New

Dinex no: 2KI014-RX / Reconditioned



**OE no:** 5801651207,  
5802045132  
**Type:** Diesel Particle Filter



**Dinex no:** 2KL030  
**Type:** Clamp



**Dinex no:** 2KL029  
**Type:** Clamp



**Dinex no:** 2KL028  
**Type:** Gasket

Kit number: 2KL017  
OE no: 5801651206

## Sensors



**Dinex no:** 29042

**OE no:** 5801455941

**Dinex no:** 29045

**OE no:** 5801908973

**Dinex no:** 29046

**OE no:** 5801922815

**Dinex no:** 29047

**OE no:** 5801732665

**Type:** Temperature Sensor



**Dinex no:** 29032\*\*

**OE no:** 5801754014,  
5801627703

**Type:** NOx Sensor

x2

## Accessories

No.	Dinex no	OE no	Type
1.	99489	Universal	Clamp
2.	2KL018	5801478451	Clamp
3.	70819	500339542 5801680759	Clamp

EURO 6 - Horizontal

**System no:** 128000018

4x2 - 6x2



## Vehicle engine

**Cursor 9 / 8.7 ltr. / 6 cyl.**

228KW / 310HP

242KW / 330HP

264KW / 360HP

294KW / 400HP



## Built-in substrates\*

DOC  
9AA029



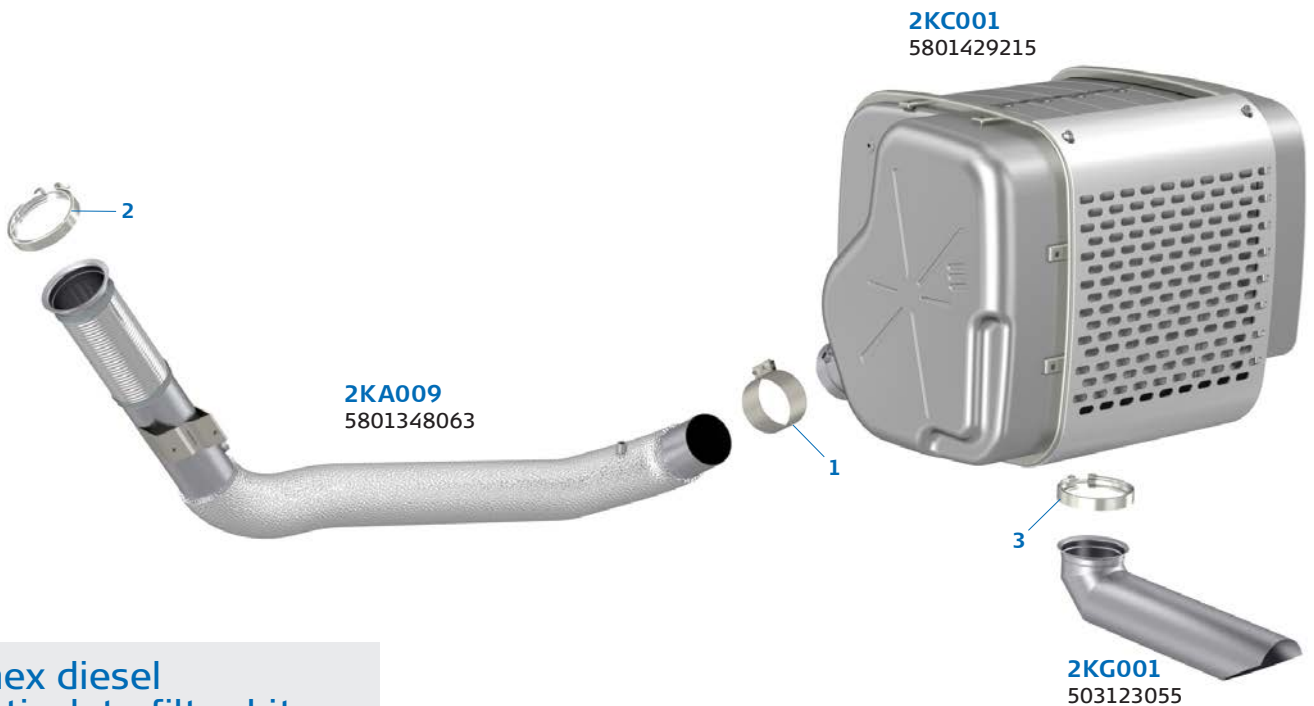
SCR with ASC  
9AA090



\*See page 94.

## Accessories

No.	Dinex no	OE no	Type
1.	2KL001	41288279	Clamp
2.	29806	41201881	Clamp
3.	2KL002	5801491218	Clamp



## Dinex diesel particulate filter kit

Dinex no: 2KI002 / New

Dinex no: 2KI002-RX / Reconditioned



OE no: 5801651187,  
5802039929

Type: Diesel Particle Filter



Dinex no: 2KL014  
Type: Clamp



Dinex no: 2KL015  
Type: Clamp



Dinex no: 2KL016  
Type: Gasket

Kit number: 2KI000  
OE no: 5801651134

## Sensors



Dinex no: 29043

OE no: 5801455940,  
504102603

Dinex no: 29042 x2

OE no: 5801455941

Type: Temperature Sensor



Dinex no: 29031\*\*

OE no: 5801627702,  
5801429373

Dinex no: 29032\*\*

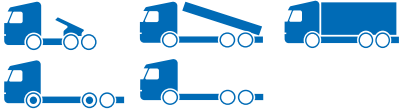
OE no: 5801754014,  
5801627703

Type: NOx Sensor

EURO 6 - Horizontal

**System no:** 128000016

4x2 - 6x2 - 6x4



### Vehicle engine

**Cursor 9 / 8.7 ltr. / 6 cyl.**  
 228KW / 310HP  
 242KW / 330HP  
 264KW / 360HP  
 294KW / 400HP

**Cursor 11 / 11.1 ltr. / 6 cyl.**  
 308KW / 420HP  
 338KW / 460HP  
 353KW / 480HP

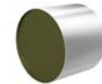


### Built-in substrates\*

DOC  
9AA029



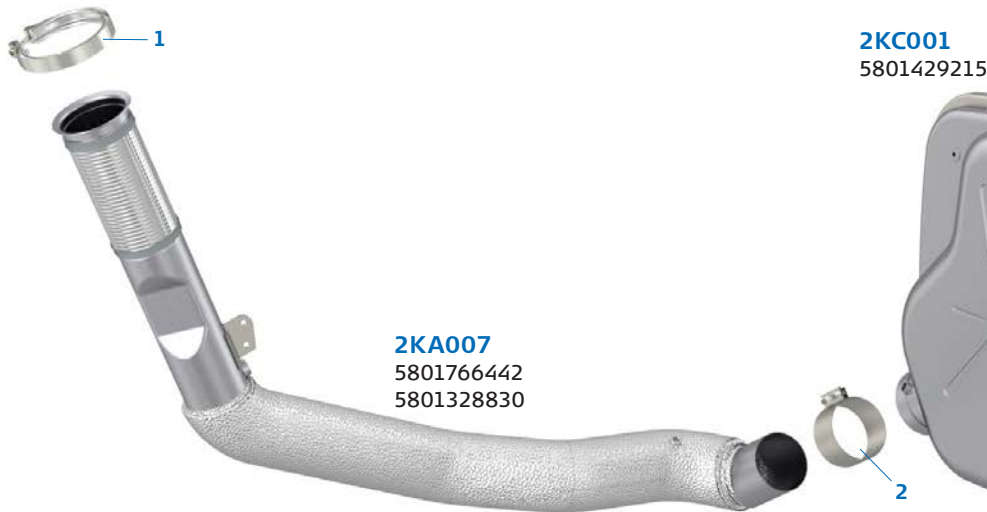
SCR with ASC  
9AA090



\*See page 94.

### Accessories

No.	Dinex no	OE no	Type
1.	29806	41201881	Clamp
2.	2KL001	41288279	Clamp
3.	2KL002	5801491218	Clamp

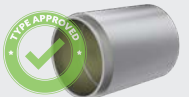


**2KA007**  
 5801766442  
 5801328830

**2KC001**  
 5801429215

### Dinex diesel particulate filter kit

Dinex no: 2KI002 / New  
 Dinex no: 2KI002-RX / Reconditioned



OE no: 5801651187,  
 5802039929  
**Type:** Diesel Particle Filter



Dinex no: 2KL014  
**Type:** Clamp



Dinex no: 2KL015  
**Type:** Clamp



Dinex no: 2KL016  
**Type:** Gasket

Kit number: 2KI000  
 OE no: 5801651134

### Sensors



Dinex no: 29043  
 OE no: 5801455940,  
 504102603  
 Dinex no: 29042 x2  
 OE no: 5801455941  
**Type:** Temperature Sensor



Dinex no: 29031\*\*  
 OE no: 5801627702,  
 5801429373  
 Dinex no: 29032\*\*  
 OE no: 5801754014,  
 5801627703  
**Type:** NOx Sensor



**2KG001**  
 503123055

EURO 6 - Horizontal

**System no:** 128000019

4x2 - 6x2



**Vehicle engine**

**Cursor 11 / 11.1 ltr. / 6 cyl.**  
 308KW / 420HP  
 338KW / 460HP  
 353KW / 480HP

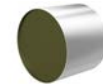


**Built-in substrates\***

DOC  
9AA029



SCR with ASC  
9AA090



\*See page 94.

**Accessories**

No.	Dinex no	OE no	Type
1.	29806	41201881	Clamp
2.	2KL001	41288279	Clamp
3.	2KL002	5801491218	Clamp



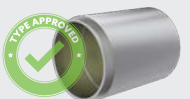
**2KC002**  
5801927875

**2KA003**  
5802001101  
5801436372

**2KG001**  
503123055

## Dinex diesel particulate filter kit

**Dinex no:** 2KI004 / New  
**Dinex no:** 2KI004-RX / Reconditioned



**OE no:** 5802041639  
**Type:** Diesel Particle Filter



**Dinex no:** 2KL014  
**Type:** Clamp



**Dinex no:** 2KL015  
**Type:** Clamp



**Dinex no:** 2KL016  
**Type:** Gasket

Kit number: 2KI000  
 OE no: 5801651134

## Sensors



**Dinex no:** 29043  
**OE no:** 5801455940,  
 504102603  
**Dinex no:** 29042 x2  
**OE no:** 5801455941  
**Type:** Temperature Sensor



**Dinex no:** 29031\*\*  
**OE no:** 5801627702,  
 5801429373  
**Dinex no:** 29032\*\*  
**OE no:** 5801754014,  
 5801627703  
**Type:** NOx Sensor

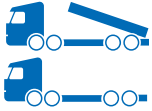
Manufacturers part numbers are quoted for reference only.

All accessories are included within the DPF kits or can be purchased separately. \*\*See page 101 for Continental reference to ensure correct software revision.

EURO 6 - Horizontal

**System no:** 128000020

8x8 - 8x4



## Vehicle engine

**Cursor 9 / 8.7 ltr. / 6 cyl.**  
 228KW / 310HP  
 242KW / 330HP  
 264KW / 360HP  
 294KW / 400HP

**Cursor 11 / 11.1 ltr. / 6 cyl.**  
 308KW / 420HP  
 338KW / 460HP  
 353KW / 480HP

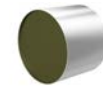


## Built-in substrates\*

DOC  
9AA029



SCR with ASC  
9AA090



\*See page 94.

## Accessories

No.	Dinex no	OE no	Type
1.	29806	41201881	Clamp
2.	2KL001	41288279	Clamp
3.	2KL002	5801491218	Clamp

**2KC018**  
5802259328



**2KA039**  
5802290342



**2KG001**  
503123055

## Dinex diesel particulate filter kit

Dinex no: 2KI018 / New  
 Dinex no: 2KI018-RX / Reconditioned



OE no: 5802041633  
 Type: Diesel Particle Filter



Dinex no: 2KL014  
 Type: Clamp



Dinex no: 2KL015  
 Type: Clamp



Dinex no: 2KL016  
 Type: Gasket

Kit number: 2KI000  
 OE no: 5801651134

## Sensors



Dinex no: 29043  
 OE no: 5801455940,  
 504102603  
 Dinex no: 29042 x2  
 OE no: 5801455941  
 Type: Temperature Sensor



Dinex no: 29031\*\*  
 OE no: 5801627702,  
 5801429373  
 Dinex no: 29032\*\*  
 OE no: 5801754014,  
 5801627703  
 Type: NOx Sensor

Manufacturers part numbers are quoted for reference only.

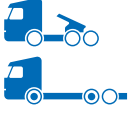
All accessories are included within the DPF kits or can be purchased separately. \*\*See page 101 for Continental reference to ensure correct software revision.



EURO 6 - Horizontal

**System no:** 128000011

4x2 - 6x2



## Vehicle engine

**Cursor 11 / 11.1 ltr. / 6 cyl.**  
 308KW / 420HP  
 338KW / 460HP  
 353KW / 480HP

**Cursor 13 / 12.9 ltr. / 6 cyl.**  
 375KW / 510HP  
 419KW / 570HP

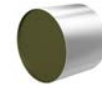


## Built-in substrates\*

DOC  
9AA029



SCR with ASC  
9AA090



\*See page 94.



**2K001**  
5801429215

**2KA001**  
5801362770  
5801990172

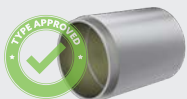
**2KG000**  
5801395668

## Accessories

No.	Dinex no	OE no	Type
1.	29806	41201881	Clamp
2.	2KL001	41288279	Clamp
3.	2KL002	5801491218	Clamp

## Dinex diesel particulate filter kit

Dinex no: 2KI002 / New  
 Dinex no: 2KI002-RX / Reconditioned



OE no: 5801651187,  
5802039929  
**Type:** Diesel Particle Filter



**Dinex no:** 2KL014  
**Type:** Clamp



**Dinex no:** 2KL015  
**Type:** Clamp



**Dinex no:** 2KL016  
**Type:** Gasket

Kit number: 2KJ000  
 OE no: 5801651134

## Sensors



**Dinex no:** 29043  
**OE no:** 5801455940,  
504102603  
**Dinex no:** 29042 x2  
**OE no:** 5801455941  
**Type:** Temperature Sensor

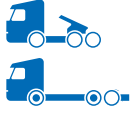


**Dinex no:** 29031\*\*  
**OE no:** 5801627702,  
5801429373  
**Dinex no:** 29032\*\*  
**OE no:** 5801754014,  
5801627703  
**Type:** NOx Sensor

EURO 6 - Horizontal

**System no:** 128000012

4x2 - 6x2



## Vehicle engine

**Cursor 11 / 11.1 ltr. / 6 cyl.**  
 308KW / 420HP  
 338KW / 460HP  
 353KW / 480HP

**Cursor 13 / 12.9 ltr. / 6 cyl.**  
 375KW / 510HP  
 419KW / 570HP



## Built-in substrates\*

DOC  
9AA029



SCR with ASC  
9AA090



\*See page 94.



**2KA001**  
 5801362770  
 5801990172

**2KC005**  
 5801448219

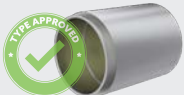
**2KG001**  
 503123055

## Accessories

No.	Dinex no	OE no	Type
1.	29806	41201881	Clamp
2.	2KL001	41288279	Clamp
3.	2KL002	5801491218	Clamp

## Dinex diesel particulate filter kit

Dinex no: 2KI010 / New  
 Dinex no: 2KI010-RX / Reconditioned



OE no: 5801651188,  
 5802039924  
**Type:** Diesel Particle Filter



**Dinex no:** 2KL014  
**Type:** Clamp



**Dinex no:** 2KL015  
**Type:** Clamp



**Dinex no:** 2KL016  
**Type:** Gasket

Kit number: 2KI000  
 OE no: 5801651134

## Sensors



**Dinex no:** 29043  
**OE no:** 5801455940,  
 504102603  
**Dinex no:** 29042 x2  
**OE no:** 5801455941  
**Type:** Temperature Sensor



**Dinex no:** 29031\*\*  
**OE no:** 5801627702,  
 5801429373  
**Dinex no:** 29032\*\*  
**OE no:** 5801754014,  
 5801627703  
**Type:** NOx Sensor

Manufacturers part numbers are quoted for reference only.

All accessories are included within the DPF kits or can be purchased separately. \*\*See page 101 for Continental reference to ensure correct software revision.

EURO 6 - Horizontal

**System no:** 128000013

4x2 - 6x2



### Vehicle engine

**Cursor 11 / 11.1 ltr. / 6 cyl.**

308KW / 420HP

338KW / 460HP

353KW / 480HP

**Cursor 13 / 12.9 ltr. / 6 cyl.**

375KW / 510HP

419KW / 570HP

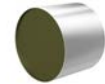


### Built-in substrates\*

DOC  
9AA029



SCR with ASC  
9AA090



\*See page 94.

**2KC016**  
5801419950



**2KA006**  
5801364513  
5802000969

**2KG001**  
503123055

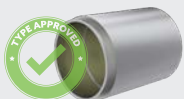
### Accessories

No.	Dinex no	OE no	Type
1.	29806	41201881	Clamp
2.	2KL001	41288279	Clamp
3.	2KL002	5801491218	Clamp

### Dinex diesel particulate filter kit

Dinex no: 2KI010 / New

Dinex no: 2KI010-RX / Reconditioned



OE no: 5801651188,  
5802039924  
Type: Diesel Particle Filter



Dinex no: 2KL014  
Type: Clamp



Dinex no: 2KL015  
Type: Clamp



Dinex no: 2KL016  
Type: Gasket

Kit number: 2KJ000  
OE no: 5801651134

### Sensors



Dinex no: 29043  
OE no: 5801455940,  
504102603  
Dinex no: 29042 x2  
OE no: 5801455941  
Type: Temperature Sensor



Dinex no: 29031\*\*  
OE no: 5801627702,  
5801429373  
Dinex no: 29032\*\*  
OE no: 5801754014,  
5801627703  
Type: NOx Sensor

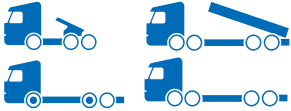
Manufacturers part numbers are quoted for reference only.

All accessories are included within the DPF kits or can be purchased separately. \*\*See page 101 for Continental reference to ensure correct software revision.

## EURO 6 - Horizontal

**System no:** 128000021

4x2 - 6x4 - 8x4



### Vehicle engine

**Cursor 9 / 8.7 ltr. / 6 cyl.**

228KW / 310HP

242KW / 330HP

264KW / 360HP

294KW / 400HP

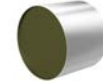


### Built-in substrates\*

**DOC**  
9AA029



**SCR with ASC**  
9AA090



\*See page 94.

### Accessories

No.	Dinex no	OE no	Type
1.	29806	41201881	Clamp
2.	2KL001	41288279	Clamp
3.	2KL002	5801491218	Clamp

**2KC002**  
5801927875



**2KA038**  
5802002830

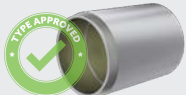


**2KG001**  
503123055

### Dinex diesel particulate filter kit

**Dinex no:** 2KI018 / New

**Dinex no:** 2KI018-RX / Reconditioned



**OE no:** 5802041633  
**Type:** Diesel Particle Filter



**Dinex no:** 2KL014  
**Type:** Clamp



**Dinex no:** 2KL015  
**Type:** Clamp



**Dinex no:** 2KL016  
**Type:** Gasket

Kit number: 2KI000  
OE no: 5801651134

### Sensors



**Dinex no:** 29043  
**OE no:** 5801455940,  
504102603  
**Dinex no:** 29042 x2  
**OE no:** 5801455941  
**Type:** Temperature Sensor



**Dinex no:** 29031\*\*  
**OE no:** 5801627702,  
5801429373  
**Dinex no:** 29032\*\*  
**OE no:** 5801754014,  
5801627703  
**Type:** NOx Sensor

## EURO 6 - Horizontal

**System no:** 128000014

4x2 - 6x2 - 6x6



### Vehicle engine

**Cursor 9 / 8.7 ltr. / 6 cyl.**

228KW / 310HP

242KW / 330HP

264KW / 360HP

294KW / 400HP

**Cursor 11 / 11.1 ltr. / 6 cyl.**

308KW / 420HP

338KW / 460HP

353KW / 480HP

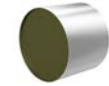


### Built-in substrates\*

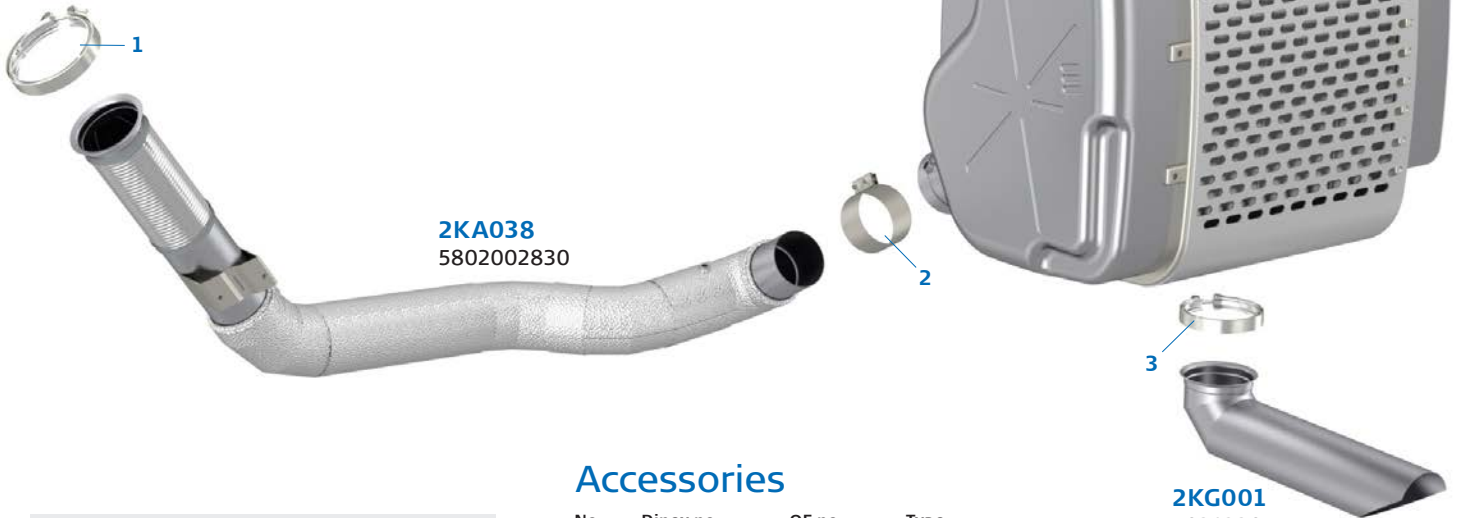
**DOC**  
9AA029



**SCR with ASC**  
9AA090



\*See page 94.



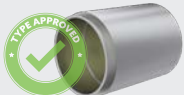
### Accessories

No.	Dinex no	OE no	Type
1.	29806	41201881	Clamp
2.	2KL001	41288279	Clamp
3.	2KL002	5801491218	Clamp

### Dinex diesel particulate filter kit

Dinex no: 2KI010 / New

Dinex no: 2KI010-RX / Reconditioned



**OE no:** 5801651188,  
5802039924

**Type:** Diesel Particle Filter



**Dinex no:** 2KL014

**Type:** Clamp



**Dinex no:** 2KL015

**Type:** Clamp



**Dinex no:** 2KL016

**Type:** Gasket

Kit number: 2KI000  
OE no: 5801651134

### Sensors



**Dinex no:** 29043

**OE no:** 5801455940,  
504102603

**Dinex no:** 29042 x2

**OE no:** 5801455941

**Type:** Temperature Sensor



**Dinex no:** 29031\*\*

**OE no:** 5801627702,  
5801429373

**Dinex no:** 29032\*\*

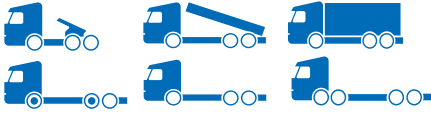
**OE no:** 5801754014,  
5801627703

**Type:** NOx Sensor

EURO 6 - Horizontal

**System no:** 128000015

4x2 - 6x2 - 6x4 - 8x4



### Vehicle engine

**Cursor 9 / 8.7 ltr. / 6 cyl.**

228KW / 310HP  
242KW / 330HP  
264KW / 360HP  
294KW / 400HP

**Cursor 11 / 11.1 ltr. / 6 cyl.**

308KW / 420HP  
338KW / 460HP  
353KW / 480HP

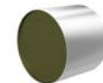


**Built-in substrates\***

DOC  
9AA029



SCR with ASC  
9AA090



\*See page 94.

### Accessories

No.	Dinex no	OE no	Type
1.	29806	41201881	Clamp
2.	2KL001	41288279	Clamp
3.	2KL002	5801491218	Clamp

**2KC000**  
5801429216



**2KA000**  
5801292786  
5801992211



**2KG002**  
5801306798

### Dinex diesel particulate filter kit

Dinex no: 2KI000 / New  
Dinex no: 2KI000-RX / Reconditioned



OE no: 5801651186,  
5802039934  
Type: Diesel Particle Filter



Dinex no: 2KL014  
Type: Clamp



Dinex no: 2KL015  
Type: Clamp



Dinex no: 2KL016  
Type: Gasket

Kit number: 2KI000  
OE no: 5801651134

### Sensors



Dinex no: 29043  
OE no: 5801455940,  
504102603  
Dinex no: 29042 x2  
OE no: 5801455941  
Type: Temperature Sensor

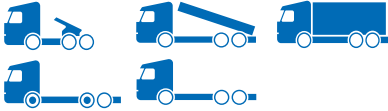


Dinex no: 29031\*\*  
OE no: 5801627702,  
5801429373  
Dinex no: 29032\*\*  
OE no: 5801754014,  
5801627703  
Type: NOx Sensor

## EURO 6 - Horizontal

**System no:** 128000017

4x2 - 6x2 - 6x4 - 6x6



### Vehicle engine

**Cursor 9 / 8.7 ltr. / 6 cyl.**

228KW / 310HP

242KW / 330HP

264KW / 360HP

294KW / 400HP

**Cursor 11 / 11.1 ltr. / 6 cyl.**

308KW / 420HP

338KW / 460HP

353KW / 480HP

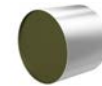


### Built-in substrates\*

DOC  
9AA029



SCR with ASC  
9AA090



\*See page 94.

### Accessories

No.	Dinex no	OE no	Type
1.	29806	41201881	Clamp
2.	2KL001	41288279	Clamp
3.	2KL002	5801491218	Clamp

**2KC005**  
5801448219



**2KA000**  
5801292786  
5801992211



**2KG001**  
503123055

### Dinex diesel particulate filter kit

Dinex no: 2KI010 / New

Dinex no: 2KI010-RX / Reconditioned



OE no: 5801651188,  
5802039924

Type: Diesel Particle Filter



Dinex no: 2KL014  
Type: Clamp



Dinex no: 2KL015  
Type: Clamp



Dinex no: 2KL016  
Type: Gasket

Kit number: 2KI000  
OE no: 5801651134

### Sensors



Dinex no: 29043

OE no: 5801455940,  
504102603

Dinex no: 29042 x2  
OE no: 5801455941

Type: Temperature Sensor



Dinex no: 29031\*\*

OE no: 5801627702,  
5801429373

Dinex no: 29032\*\*  
OE no: 5801754014,  
5801627703

Type: NOx Sensor

## Content **MAN**

A very compact and lightweight one-box ATS system. Designed for easy maintenance, this one-box solution combines ATS efficiency together with easily replaceable DPF unit. The result is smooth, prolonged operation with emission reduction that matches OE level. All parts are from stainless steel to ensure lifetime of exhaust system. Dinex also offers all exhaust pipes and other parts related to exhaust system for MAN trucks.

### Type/Model

TGL/TGM .....	41
TGL .....	42
TGM .....	43
TGX/TGS.....	44
TGX.....	45
TGS .....	46



## EURO 6 - Horizontal

**System no:** 147000021

4x2 - 4x4 - 6x2/4 - 6x4



### Vehicle engine

**D0834 / 4.6 ltr. / 4 cyl.**  
 110KW / 150HP  
 132KW / 180HP  
 162KW / 220HP

**D0836 / 6.9 ltr. / 6 cyl.**  
 162KW / 220HP  
 184KW / 250HP  
 206KW / 280HP



### Built-in substrates\*

**DOC**  
9AA051



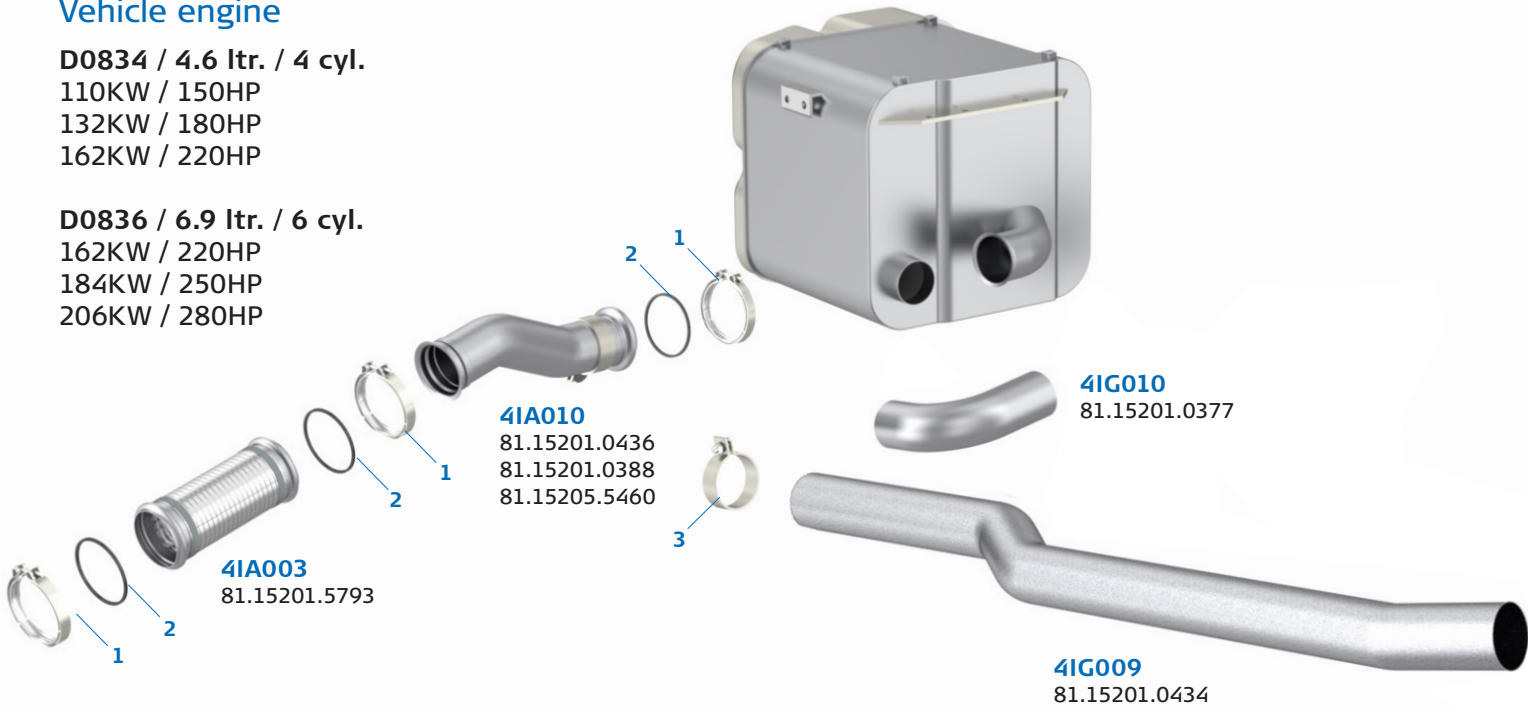
**SCR with ASC**  
9AA093



\*See page 94.

### 4IC012

81.15101.6047  
 81.15101.6041  
 81.15101.6043



### 4IA010

81.15201.0436  
 81.15201.0388  
 81.15205.5460

### 4IG010

81.15201.0377

### 4IG009

81.15201.0434

### 4IA003

81.15201.5793

## Dinex diesel particulate filter kit

Dinex no: 4II003 / New

Dinex no: 4II003-RX / Reconditioned



**OE no:** 81.15103.0113  
**Type:** Diesel Particle Filter



**Dinex no:** 4IL021  
**OE no:** 06.67431.4282  
**Type:** Clamp



**Dinex no:** 4IL014  
**OE no:** 81.15901.0046  
**Type:** Gasket



**Dinex no:** 4IL025  
**OE no:** 81.15901.0045  
**Type:** Gasket



**Dinex no:** 4IL017  
**OE no:** 06.67431.4125  
**Type:** Clamp

Kit number: 4II004

## Sensors



**Dinex no:** 47042  
**OE no:** 51.27421.0311,  
 51.27421.0294  
**Type:** Temperature Sensor

**Dinex no:** 47034\*\*  
**OE no:** 51.15408.0003,  
 51.15408.0016  
**Type:** NOx Sensor

## Accessories

No.	Dinex no	OE no	Type
1.	4IL011	06.67431.4105 06.67431.8105	Clamp
2.	4IL012	81.15901.0041	Gasket
3.	99700	81.97450.0034	Clamp

# MAN

# TGL

EURO 6 - Vertical

**System no:** 147001010

4x2



**Vehicle engine**

**D0834 / 4.6 ltr. / 4 cyl.**  
 110KW / 150HP  
 132KW / 180HP  
 162KW / 220HP



**Built-in substrates\***



DOC  
9AA051



SCR with ASC  
9AA093

\*See page 94.

**4IG006**

81.15201.0341  
 81.15201.0432  
 81.15201.0441

**4IC012**

81.15101.6047  
 81.15101.6041  
 81.15101.6043



**4IA019**

81.15201.0387  
 81.15201.0247



**4IE016**

81.15201.0319  
 81.15201.0431  
 81.15201.0440



**4IA003**

81.15201.5793



## Dinex diesel particulate filter kit

Dinex no: 4II003 / New

Dinex no: 4II003-RX / Reconditioned



OE no: 81.15103.0113

Type: Diesel Particle Filter

Dinex no: 4IL021

OE no: 06.67431.4282

Type: Clamp

Dinex no: 4IL014

OE no: 81.15901.0046

Type: Gasket

Dinex no: 4IL025

OE no: 81.15901.0045

Type: Gasket

Dinex no: 4IL017

OE no: 06.67431.4125

Type: Clamp

Kit number: 4II004

## Accessories

No.	Dinex no	OE no	Type
1.	4IL011	06.67431.4105 06.67431.8105	Clamp
2.	4IL012	81.15901.0041	Gasket
3.	99700	81.97450.0034	Clamp
4.	98400	81.15204.5486 81.15204.6016	Rain cap

## Sensors



Dinex no: 47042

OE no: 51.27421.0311,  
51.27421.0294

Type: Temperature Sensor



Dinex no: 47034\*\*

OE no: 51.15408.0003,  
51.15408.0016

Type: NOx Sensor

Manufacturers part numbers are quoted for reference only.

All accessories are included within the DPF kits or can be purchased separately. \*\*See page 101 for Continental reference to ensure correct software revision.

## EURO 6 - Vertical

**System no:** 147001011

4x2 - 4x4 - 6x2/4 - 6x4



### Vehicle engine

**D0836 / 6.9 ltr. / 6 cyl.**  
 162KW / 220HP  
 184KW / 250HP  
 206KW / 280HP



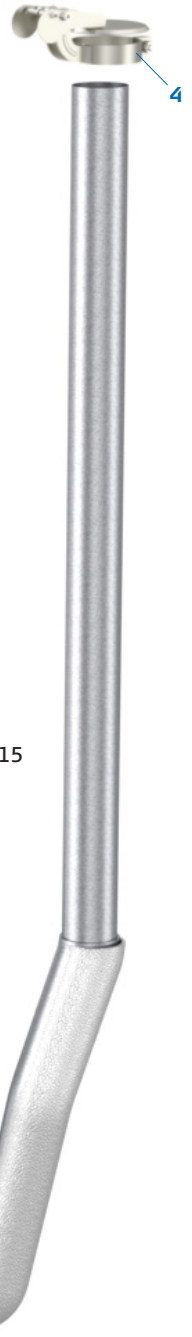
### Built-in substrates\*



\*See page 94.

**4IC012**  
 81.15101.6047  
 81.15101.6041  
 81.15101.6043

**4IG008**  
 U1.15201.0015



**4IA020**  
 81.15201.0255  
 81.15201.0268

**4IA003**  
 81.15201.5793

### Dinex diesel particulate filter kit

Dinex no: 4II003 / New  
 Dinex no: 4II003-RX / Reconditioned



**OE no:** 81.15103.0113  
**Type:** Diesel Particle Filter

Kit number: 4II004



**Dinex no:** 4IL021  
**OE no:** 06.67431.4282  
**Type:** Clamp

**Dinex no:** 4IL014  
**OE no:** 81.15901.0046  
**Type:** Gasket

**Dinex no:** 4IL025  
**OE no:** 81.15901.0045  
**Type:** Gasket

**Dinex no:** 4IL017  
**OE no:** 06.67431.4125  
**Type:** Clamp

### Accessories

No.	Dinex no	OE no	Type
1.	4IL011	06.67431.4105 06.67431.8105	Clamp
2.	4IL012	81.15901.0041	Gasket
3.	4IL029	81.97450.0034	Clamp
4.	98400	81.15204.5486 81.15204.6016	Rain cap

### Sensors



**Dinex no:** 47042  
**OE no:** 51.27421.0311,  
 51.27421.0294  
**Type:** Temperature Sensor

**Dinex no:** 47034\*\*  
**OE no:** 51.15408.0003,  
 51.15408.0016  
**Type:** NOx Sensor

All accessories are included within the DPF kits or can be purchased separately. \*\*See page 101 for Continental reference to ensure correct software revision.

## EURO 6 - Horizontal

**System no:** 147000020

4x2 - 6x2 - 6x2/2 - 6x2/4 - 4x4 - 6x4



### Vehicle engine

**D2066LF / 10.5 ltr. / 6 cyl.**

206KW / 280HP

235KW / 320HP

265KW / 360HP

**D2676LF / 12.4 ltr. / 6cyl.**

309KW / 420HP

338KW / 460HP

368KW / 500HP

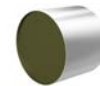


### Built-in substrates\*

DOC  
9AA032

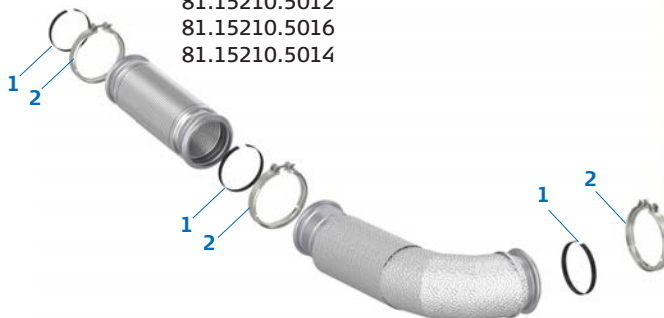


SCR with ASC  
9AA092



\*See page 94.

**4IA000**  
81.15210.5012  
81.15210.5016  
81.15210.5014



**4IC000**

81.15103.6109

81.15103.6115

81.15103.6125



**4IE001**  
81.15201.0295

### Dinex diesel particulate filter kit

Dinex no: 4II001 / New

Dinex no: 4II001-RX / Reconditioned



OE no: 81.15103.0107,  
81.15103.9107, 81.15103.0128

Type: Diesel Particle Filter

Kit number: 4II002



Dinex no: 4IL004  
OE no: 81.97420.0184  
Type: Clamp



Dinex no: 4IL003  
OE no: 81.15901.0043  
Type: Gasket



Dinex no: 4IL005  
OE no: 81.15901.0044  
Type: Gasket



Dinex no: 4IL006  
OE no: 81.97420.0185  
Type: Clamp

### Sensors



Dinex no: 47041  
OE no: 51.27421.0293,  
51.27421.0310  
Type: Temperature Sensor

Dinex no: 4IL018\*\*  
OE no: 51.15408.0011,  
51.15408.0018  
Type: NOx Sensor

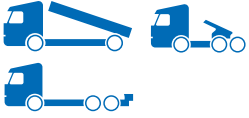
### Accessories

No.	Dinex no	OE no	Type
1.	4IL002	81.15901.0042	Gasket
2.	68835	06.67434.6131 81.97420.0190	Clamp

## EURO 6 - Vertical

**System no:** 147001013

4x2 - 4x4 - 6x4



### Vehicle engine

**D2066 LF / 10.5 ltr. / 6 cyl.**  
 206KW / 280HP  
 235KW / 320HP  
 265KW / 360HP

**D2676 LF / 12.4 ltr. / 6 cyl.**  
 309KW / 420HP  
 338KW / 460HP  
 368KW / 500HP

### Dinex diesel particulate filter kit

Dinex no: 4II001 / New

Dinex no: 4II001-RX / Reconditioned



**OE no:** 81.15103.0107,  
 81.15103.9107, 81.15103.0128  
**Type:** Diesel Particle Filter



**Dinex no:** 4IL004  
**OE no:** 81.97420.0184  
**Type:** Clamp

**Dinex no:** 4IL003  
**OE no:** 81.15901.0043  
**Type:** Gasket

**Dinex no:** 4IL005  
**OE no:** 81.15901.0044  
**Type:** Gasket

**Dinex no:** 4IL006  
**OE no:** 81.97420.0185  
**Type:** Clamp

### Sensors



**Dinex no:** 47041  
**OE no:** 51.27421.0293,  
 51.27421.0310  
**Type:** Temperature Sensor

**Dinex no:** 4IL018\*\*  
**OE no:** 51.15408.0011,  
 51.15408.0018  
**Type:** NOx Sensor

**4IG007**  
 81.15205.5428  
 81.15205.2128



**4IG005**  
 81.15205.5427

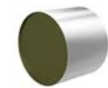


### Built-in substrates\*

**DOC**  
 9AA032



**SCR with ASC**  
 9AA092



\*See page 94.

### Accessories

No.	Dinex no	OE no	Type
1.	68835	06.67434.6131 81.97420.0190	Clamp
2.	4II002	81.15901.0042	Gasket
3.	49939	06.67434.9144	Clamp
4.	99724	81.97420.0186	Clamp

**4IE017**  
 81.15205.5440



**4IC006**  
 81.15103.6122  
 81.15103.6128  
 81.15103.6114

**4IA000**  
 81.15210.5012  
 81.15210.5016  
 81.15210.5014



**4IE001**  
 81.15201.0295

## EURO 6 - Vertical

**System no:** 147001012

4x2 - 6x4 - 6x4



### Vehicle engine

**D2676 LF / 12.4 ltr. / 6 cyl.**  
 309KW / 420HP  
 338KW / 460HP  
 368KW / 500HP

### Dinex diesel particulate filter kit

**Dinex no:** 4II001 / New  
**Dinex no:** 4II001-RX / Reconditioned



**OE no:** 81.15103.0107,  
 81.15103.9107,81.15103.0128  
**Type:** Diesel Particulate Filter

Kit number: 4II002



**Dinex no:** 4IL004  
**OE no:** 81.97420.0184  
**Type:** Clamp



**Dinex no:** 4IL003  
**OE no:** 81.15901.0043  
**Type:** Gasket



**Dinex no:** 4IL005  
**OE no:** 81.15901.0044  
**Type:** Gasket



**Dinex no:** 4IL006  
**OE no:** 81.97420.0185  
**Type:** Clamp

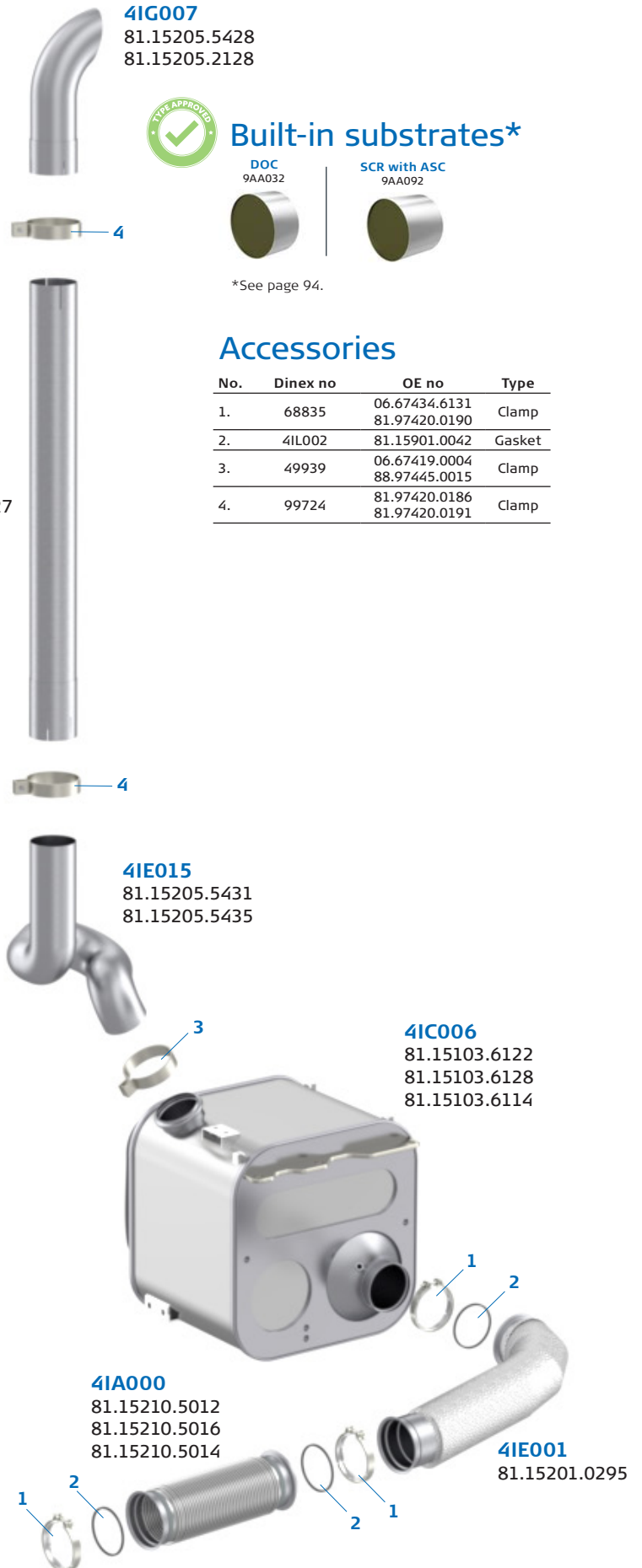
### Sensors



**Dinex no:** 47041  
**OE no:** 51.27421.0293,  
 51.27421.0310  
**Type:** Temperature Sensor

**Dinex no:** 4IL018\*\*  
**OE no:** 51.15408.0011,  
 51.15408.0018  
**Type:** NOx Sensor

Manufacturers part numbers are quoted for reference only.



All accessories are included within the DPF kits or can be purchased separately. \*\*See page 101 for Continental reference to ensure correct software revision.

**MERCEDES**



## Content **MERCEDES**

A truly unique ATS solution comprising a replaceable, high quality silicon-carbide DPF for more soot capacity with a PGM loading on the same level as OE and DOC and SCR for the highest NOx reduction. Silicon – carbide DPF gives a more durable, effective DPF solution. Dinex also offers wide range of exhaust pipes and other parts related to exhaust systems for Mercedes trucks.

### Type/Model

Atego.....	48
Antos.....	49
Actros.....	50
Arocs .....	54

EURO 6 - Horizontal

**System no:** 150000034

4x2



## Vehicle engine

**OM 934 / 5.1 ltr. / 4cyl.**

115KW / 156HP

130KW / 177HP

155KW / 211HP

170KW / 231HP



## Built-in substrates\*

DOC  
9AA054



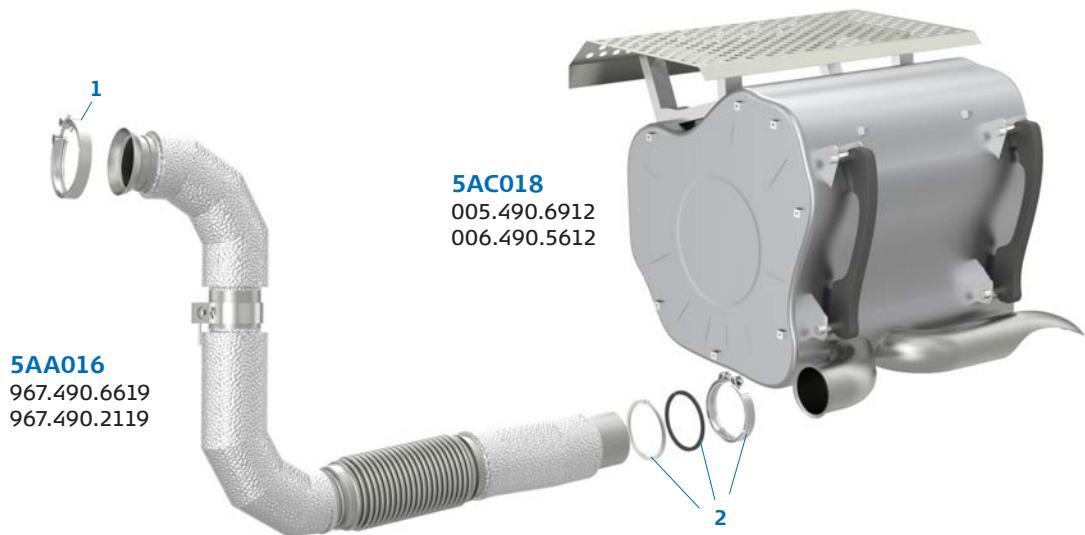
SCR with ASC  
9AA094



\*See page 94.

## Accessories

No.	Dinex no	OE no	Type
1.	5AL020	001.995.9102	Clamp
2.	5AL012	003.995.0902 002.995.2002	Accessories kit



**5AA016**  
967.490.6619  
967.490.2119

**5AC018**  
005.490.6912  
006.490.5612

## Dinex diesel particulate filter kit

Dinex no: 5AI001 / New

Dinex no: 5AI001-RX / Reconditioned



**OE no:** 001.490.3092  
**Type:** Diesel Particle Filter  
**Technology:** HP-SiC



**Dinex no:** 5AL001  
**OE no:** 001.955.4544  
**Type:** Clamp



**Dinex no:** 35822  
**OE no:** 680.995.0202  
**Type:** Clamp



**Dinex no:** 5AL005  
**OE no:** 000.491.1380  
**Type:** Gasket

Kit number: 5AL029

## Sensors



**Dinex no:** 51044  
**OE no:** 010.542.9418  
**Dinex no:** 51045  
**OE no:** 010.542.9518  
**Type:** Temperature Sensor



**Dinex no:** 51031\*\*  
**OE no:** 008.153.9828  
010.153.1628  
**Dinex no:** 51032\*\*  
**OE no:** 010.153.9528  
009.153.9528  
**Dinex no:** 51035\*\*  
**OE no:** 008.153.9928,  
010.153.9428  
**Type:** NOx Sensor

Manufacturers part numbers are quoted for reference only.

All accessories are included within the DPF kits or can be purchased separately. \*\*See page 101 for Continental reference to ensure correct software revision.



EURO 6 - Horizontal

System no: 150000037

4x2



## Vehicle engine

OM 936 / 7.7 ltr. / 6cyl.

175KW / 238HP

200KW / 272HP

220KW / 299HP

235KW / 320HP

260KW / 354HP

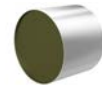


## Built-in substrates\*

DOC  
9AA035



SCR with ASC  
9AA095



\*See page 94.

## Accessories

No.	Dinex no	OE no	Type
1.	5AL023	001.995.8402 001.995.9202	Clamp
2.	5AL022	629.493.0280	Gasket
3.	5AL012	003.995.0902 002.995.2002	Accessories kit
4.	5AL009	000.492.1480 000.492.0380	Gasket



**5AG009**  
000.492.1514  
000.492.1614

## Dinex diesel particulate filter kit

Dinex no: 5AI005 / New

Dinex no: 5AI005-RX / Reconditioned



OE no: 001.490.7092,  
001.490.8392, 001.490.5292

Type: Diesel Particle Filter

Technology: HP-SIC

Kit number: 5AL031



Dinex no: 5AL004

OE no: 001.995.5744,  
001.995.4444

Type: Clamp



Dinex no: 5AL003

OE no: 000.995.3933,  
000.995.1833

Type: Clamp



Dinex no: 50902

OE no: 000.491.1580

Type: Gasket

## Sensors



Dinex no: 51044

OE no: 010.542.9418

Dinex no: 51045

OE no: 010.542.9518

Type: Temperature Sensor



Dinex no: 51028\*\*

OE no: 010.153.1528

Dinex no: 51031\*\*

OE no: 008.153.9828

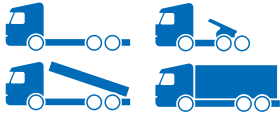
010.153.1628

Type: NOx Sensor

EURO 6 - Horizontal

**System no:** 150000039

6x2



## Vehicle engine

**OM 936 / 7.7 ltr. / 6cyl.**

175KW / 238HP

200KW / 272HP

220KW / 299HP

235KW / 320HP

260KW / 354HP



**5AA034**  
960.490.8820  
960.490.5019



**5AC018**  
005.490.6912  
006.490.5612



**5AG009**  
000.492.1514  
000.492.1614

## Dinex diesel particulate filter kit

**Dinex no:** 5AI001 / New

**Dinex no:** 5AI001-RX / Reconditioned



**OE no:** 001.490.3092  
**Type:** Diesel Particle Filter  
**Technology:** HP-SiC



**Dinex no:** 5AL001  
**OE no:** 001.955.4544  
**Type:** Clamp



**Dinex no:** 35822  
**OE no:** 680.995.0202  
**Type:** Clamp



**Dinex no:** 5AL005  
**OE no:** 000.491.1380  
**Type:** Gasket

Kit number: 5AL029

## Sensors



**Dinex no:** 51044  
**OE no:** 010.542.9418  
**Dinex no:** 51045  
**OE no:** 010.542.9518  
**Type:** Temperature Sensor



**Dinex no:** 51031\*\*  
**OE no:** 008.153.9828  
010.153.1628  
**Dinex no:** 51032\*\*  
**OE no:** 010.153.9528,  
009.153.9528  
**Dinex no:** 51035\*\*  
**OE no:** 008.153.9928,  
010.153.9428  
**Type:** NOx Sensor

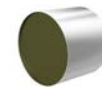


## Built-in substrates\*

**DOC**  
9AA035



**SCR with ASC**  
9AA095



\*See page 94.

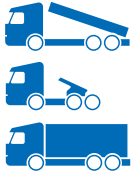
## Accessories

No.	Dinex no	OE no	Type
1.	5AL023	001.995.8402 001.995.9202	Clamp
2.	5AL022	629.493.0280	Gasket
3.	5AL012	003.995.0902 002.995.2002	Accessories kit
4.	5AL009	000.492.1480 000.492.0380	Gasket

## EURO 6 - Horizontal

**System no:** 150000033

6x2- 6x2/4 - 6x4



### Vehicle engine

**OM 470 / 10.7 ltr. / 6cyl.**

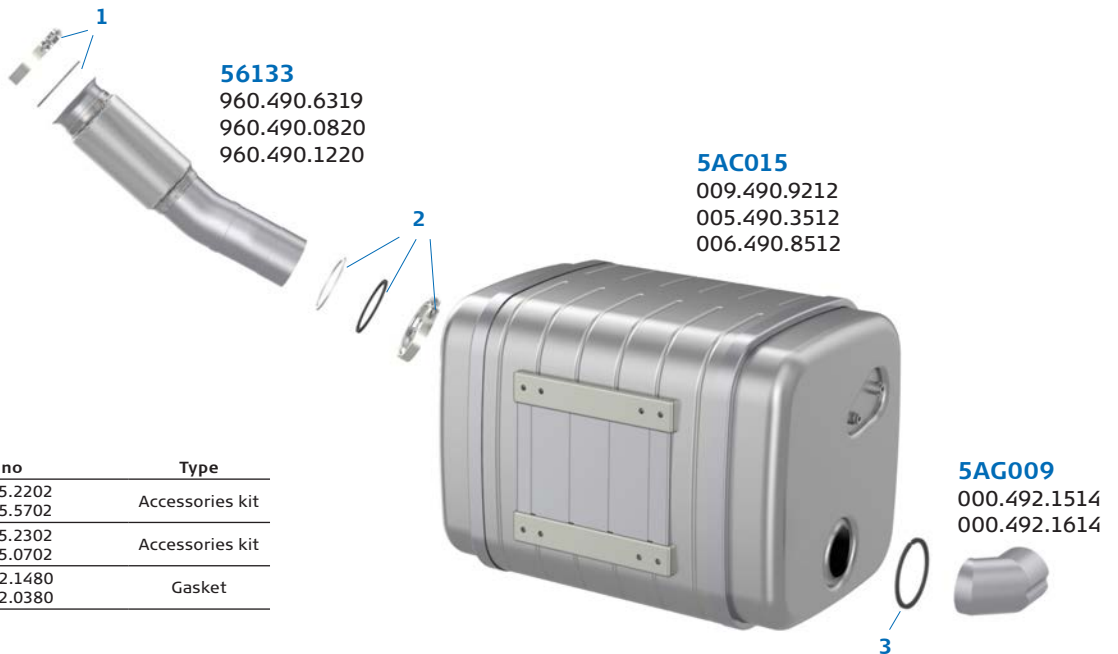
240KW / 326HP

264KW / 360HP

290KW / 394HP

315KW / 428HP

335KW / 456 HP



### Accessories

No.	Dinex no	OE no	Type
1.	5AL024	002.995.2202 003.995.5702	Accessories kit
2.	5AL028	002.995.2302 003.995.0702	Accessories kit
3.	5AL009	000.492.1480 000.492.0380	Gasket

### Dinex diesel particulate filter kit

Dinex no: 5AI005 / New

Dinex no: 5AI005-RX / Reconditioned



**OE no:** 001.490.7092,  
001.490.8392, 001.490.5292  
**Type:** Diesel Particle Filter  
**Technology:** HP-SiC

**Dinex no:** 5AL004

**OE no:** 001.995.5744,  
001.995.4444

**Type:** Clamp

**Dinex no:** 5AL003

**OE no:** 000.995.3933,  
000.995.1833

**Type:** Clamp

**Dinex no:** 50902

**OE no:** 000.491.1580

**Type:** Gasket

Kit number: 5AL031

### Sensors



**Dinex no:** 51044

**OE no:** 010.542.9418

**Dinex no:** 51045

**OE no:** 010.542.9518

**Type:** Temperature Sensor



**Dinex no:** 51031\*\*

**OE no:** 008.153.9828  
010.153.1628

**Dinex no:** 51032\*\*

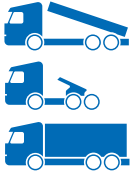
**OE no:** 010.153.9528  
009.153.9528

**Type:** NOx Sensor

EURO 6 - Horizontal

**System no:** 150000036

4x2 - 6x2/4



## Vehicle engine

**OM 470 / 10.7 ltr. / 6cyl.**

240KW / 326HP

264KW / 360HP

290KW / 394HP

315KW / 428HP

335KW / 456 HP

**OM 471 / 12.8 ltr. / 6cyl.**

310KW / 422HP

330KW / 449HP

350KW / 476HP

375KW / 510HP

390KW / 530HP



**56132**

960.490.6119

960.490.0720

960.490.1320

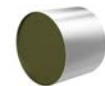


## Built-in substrates\*

DOC  
9AA035



SCR with ASC  
9AA095



\*See page 94.

## Accessories

No.	Dinex no	OE no	Type
1.	5AL024	002.995.2202 003.995.5702	Accessories kit
2.	5AL028	002.995.2302 003.995.0702	Accessories kit
3.	5AL009	000.492.1480 000.492.0380	Gasket



**5AC020**

007.490.8512

**5AG009**

000.492.1514

000.492.1614

## Dinex diesel particulate filter kit

Dinex no: 5AI005 / New

Dinex no: 5AI005-RX / Reconditioned



OE no: 001.490.7092,  
001.490.8392, 001.490.5292

Type: Diesel Particle Filter

Technology: HP-SiC

Dinex no: 5AL004

OE no: 001.995.5744,  
001.995.4444

Type: Clamp

Dinex no: 5AL003

OE no: 000.995.3933,  
000.995.1833

Type: Clamp

Dinex no: 50902

OE no: 000.491.1580

Type: Gasket

Kit number: 5AL031

## Sensors



Dinex no: 51044

OE no: 010.542.9418

Dinex no: 51045

OE no: 010.542.9518

Type: Temperature Sensor



Dinex no: 51029\*\*

OE no: 010.153.1728

Dinex no: 51031\*\*

OE no: 008.153.9828  
010.153.1628

Dinex no: 51036\*\*

OE no: 010.153.1428

Type: NOx Sensor

EURO 6 - Horizontal

**System no:** 150000035

4x2 - 6x2/4

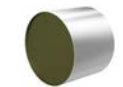


**Built-in substrates\***

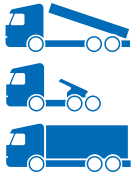
DOC  
9AA035



SCR with ASC  
9AA095



\*See page 94.



## Vehicle engine

**OM 471 / 12.8 ltr. / 6cyl.**

310KW / 422HP

330KW / 449HP

350KW / 476HP

375KW / 510HP

390KW / 530HP

## Accessories

No.	Dinex no	OE no	Type
1.	5AL011	001.995.0702	Clamp
2.	5AL028	002.995.2302 003.995.0702	Accessories kit
3.	5AL009	000.492.1480 000.492.0380	Gasket



## Dinex diesel particulate filter kit

Dinex no: 5AI005 / New

Dinex no: 5AI005-RX / Reconditioned



**OE no:** 001.490.7092,  
001.490.8392, 001.490.5292  
**Type:** Diesel Particle Filter  
**Technology:** HP-SiC

**Dinex no:** 5AL004

**OE no:** 001.995.5744,  
001.995.4444  
**Type:** Clamp

**Dinex no:** 5AL003

**OE no:** 000.995.3933,  
000.995.1833  
**Type:** Clamp

**Dinex no:** 50902

**OE no:** 000.491.1580  
**Type:** Gasket

Kit number: 5AL031

## Sensors



**Dinex no:** 51046  
**OE no:** 007.542.4518  
**Dinex no:** 51047  
**OE no:** 007.542.4818  
**Dinex no:** 51048  
**OE no:** 010.542.3518  
**Dinex no:** 51049  
**OE no:** 007.542.4618  
**Type:** Temperature Sensor



**Dinex no:** 51029\*\*  
**OE no:** 010.153.1728  
**Dinex no:** 51031\*\*  
**OE no:** 008.153.9828  
010.153.1628  
**Dinex no:** 51036\*\*  
**OE no:** 010.153.1428  
**Type:** NOx Sensor

EURO 6 - Horizontal

System no: 150000038

8x4/4

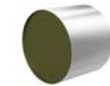


Built-in substrates\*

DOC  
9AA035



SCR with ASC  
9AA095



\*See page 94.

### 5AA008

960.490.4450  
960.490.2810  
960.490.1450



### Vehicle engine

OM 470 / 10.7 ltr. / 6cyl.

240KW / 326HP

264KW / 360HP

290KW / 394HP

315KW / 428HP

335KW / 456 HP

### Accessories

No.	Dinex no	OE no	Type
1.	5AL024	002.995.2202 003.995.5702	Accessories kit
2.	5AL028	002.995.2302 / 003.995.0702	Accessories kit
3.	5AL009	000.492.1480 / 000.492.0380	Gasket

### 5AC021

007.490.8212  
008.490.1012



### 5AG009

000.492.1514  
000.492.1614

### Dinex diesel particulate filter kit

Dinex no: 5AI005 / New

Dinex no: 5AI005-RX / Reconditioned



OE no: 001.490.7092,  
001.490.8392, 001.490.5292  
Type: Diesel Particle Filter  
Technology: HP-SiC



Dinex no: 5AL004  
OE no: 001.995.5744,  
001.995.4444  
Type: Clamp

Dinex no: 5AL003  
OE no: 000.995.3933,  
000.995.1833  
Type: Clamp

Dinex no: 50902  
OE no: 000.491.1580  
Type: Gasket

### Sensors



Dinex no: 51046  
OE no: 007.542.4518  
Dinex no: 51047  
OE no: 007.542.4818  
Dinex no: 51048  
OE no: 010.542.3518  
Dinex no: 51049  
OE no: 007.542.4618  
Type: Temperature Sensor



Dinex no: 51029\*\*  
OE no: 010.153.1728  
Dinex no: 51031\*\*  
OE no: 008.153.9828  
010.153.1628  
Dinex no: 51036\*\*  
OE no: 010.153.1428  
Type: NOx Sensor

## EURO 6 - Horizontal

**System no:** 150000040

4x4 - 6x6



### Vehicle engine

**OM470 / 10.7 ltr. / 6 cyl.**

240KW/326HP

265KW/360HP

290KW/394HP

315KW/428HP

335KW/456HP

**OM471 / 12.8 ltr. / 6 cyl.**

310KW/422HP

330KW/449HP

350KW/476HP

375KW/510HP

390KW/530HP

**OM473 / 15.6 ltr. / 6 cyl.**

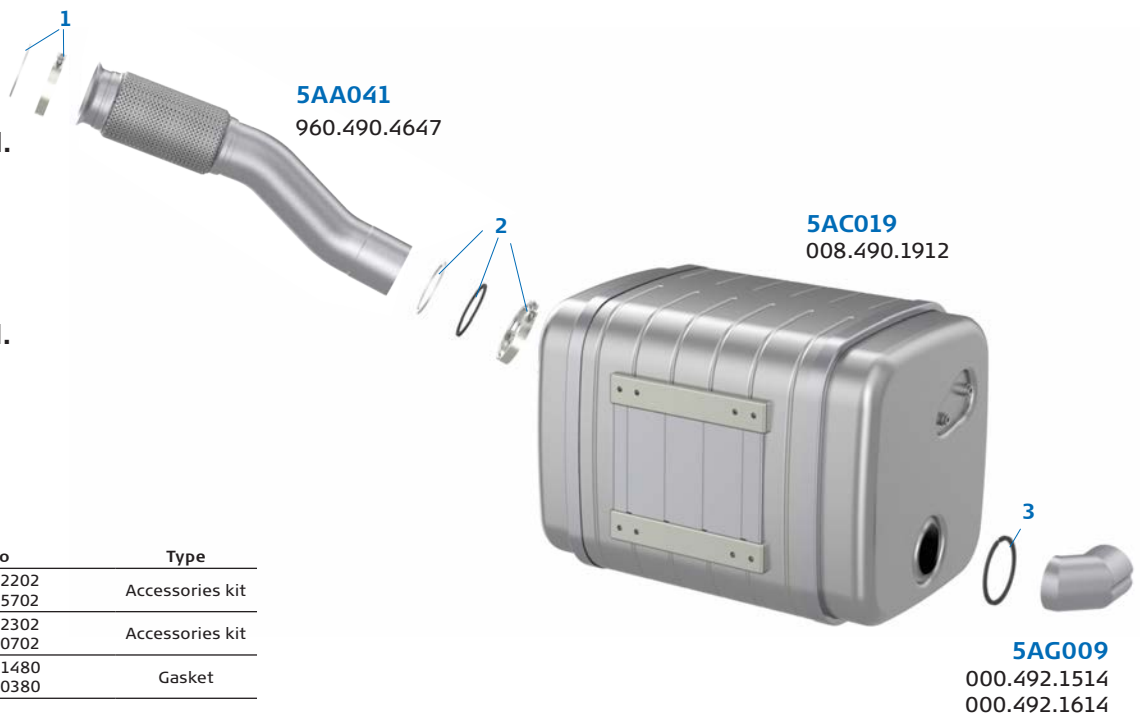
380KW/517HP

425KW/578HP

460KW/626HP

### Accessories

No.	Dinex no	OE no	Type
1.	5AL024	002.995.2202 003.995.5702	Accessories kit
2.	5AL028	002.995.2302 003.995.0702	Accessories kit
3.	5AL009	000.492.1480 000.492.0380	Gasket

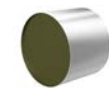


### Built-in substrates\*

DOC  
9AA035



SCR with ASC  
9AA095



\*See page 94.

### Dinex diesel particulate filter kit

Dinex no: 5AI005 / New

Dinex no: 5AI005-RX / Reconditioned



**OE no:** 001.490.7092,  
001.490.8392, 001.490.5292  
**Type:** Diesel Particle Filter  
**Technology:** HP-SiC

**Dinex no:** 5AL004

**OE no:** 001.995.5744,  
001.995.4444

**Type:** Clamp

**Dinex no:** 5AL003

**OE no:** 000.995.3933,  
000.995.1833

**Type:** Clamp

**Dinex no:** 50902

**OE no:** 000.491.1580

**Type:** Gasket

Kit number: 5AL031

### Sensors

**Dinex no:** 51046

**OE no:** 007.542.4518

**Dinex no:** 51047

**OE no:** 007.542.4818

**Dinex no:** 51048

**OE no:** 010.542.3518

**Dinex no:** 51049

**OE no:** 007.542.4618

**Type:** Temperature Sensor

**Dinex no:** 51026\*\*

**OE no:** 010.153.1628

**Dinex no:** 51036\*\*

**OE no:** 010.153.1428

**Type:** NOx Sensor





## Content RENAULT

Very high quality ATS unit comprising replaceable cordierite DPF with PGM loading on the same level as OE to secure complete system functionality. The DOC, DPF and SCR all function together as precision tuned instruments for the highest of emission standards. Direct replacement for OE unit. Dinex also offers all exhaust pipes and other parts related to exhaust system for Renault trucks.

### Type/Model

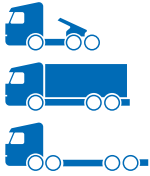
D Narrow .....	57
D Wide.....	59
T Series.....	61
K Series .....	62



EURO 6 - Horizontal

**System no:** 164000030

4x2 - 6x2 - 6x2/4



## Vehicle engine

**DTI 5 / 5.1 ltr. / 4 cyl.**  
154KW / 210HP  
176KW / 240HP

**DTI 8 / 7.7 ltr. / 6 cyl.**  
186KW / 250HP  
209KW / 280HP

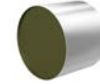


## Built-in substrates\*

DOC  
9AA057



SCR with ASC  
9AA098



\*See page 94.

## Accessories

No.	Dinex no	OE no	Type
1.	8AL012	7421758872	Clamp
2.	8AL001	7421758870	Gasket



## Dinex diesel particulate filter kit

Dinex no: 8AI001 / New  
Dinex no: 8AI001-RX / Reconditioned



OE no: 7421750157,  
7485013250, 7423138863,  
7421794709

Type: Diesel Particle Filter

Kit number: 8AL030



Dinex no: 8AL014  
OE no: 7421664904  
Type: Clamp



Dinex no: 8AL013  
OE no: 7421664918  
Type: Gasket



Dinex no: 8AL015  
OE no: 21664906,  
7421664906  
Type: Clamp

## Sensors



Dinex no: 81050  
OE no: 7421542714  
Type: Temperature Sensor



Dinex no: 81030\*\*  
OE no: 7421984358,  
7485133215, 7422219283  
Dinex no: 81032\*\*  
OE no: 7422315988,  
7422219281, 7421531797  
Type: NOx Sensor

EURO 6 - Vertical

**System no:** 164001039

4x2 - 6x2 - 6x2/4



### Vehicle engine

**DTI 5 / 5.1 ltr. / 4 cyl.**  
154KW / 210HP  
176KW / 240HP

**DTI 8 / 7.7 ltr. / 6 cyl.**  
186KW / 250HP  
209KW / 280HP

### Dinex diesel particulate filter kit

**Dinex no:** 8AI001 / New  
**Dinex no:** 8AI001-RX / Reconditioned



**OE no:** 7421750157,  
7485013250, 7423138863,  
7421794709

**Type:** Diesel Particle Filter



**Dinex no:** 8AL014  
**OE no:** 7421664904  
**Type:** Clamp

**Dinex no:** 8AL013  
**OE no:** 7421664918  
**Type:** Gasket

**Dinex no:** 8AL015  
**OE no:** 21664906,  
7421664906  
**Type:** Clamp

### Sensors



**Dinex no:** 81050  
**OE no:** 7421542714  
**Dinex no:** 81049  
**OE no:** 7421285163,  
7422035664  
**Type:** Temperature Sensor



**Dinex no:** 81030\*\*  
**OE no:** 7421984358,  
7485133215, 7422219283  
**Dinex no:** 81032\*\*  
**OE no:** 7422315988,  
7422219281, 7421531797  
**Type:** NOx Sensor



### Built-in substrates\*

**DOC**  
9AA057

**SCR with ASC**  
9AA098

\*See page 94.

### Accessories

No.	Dinex no	OE no	Type
1.	8AL001	7421758870	Gasket
2.	8AL012	7460110458	Clamp
3.	80910	7421211715 7421472836	Clamp
4.	99115	5010173403 5010317399	Clamp

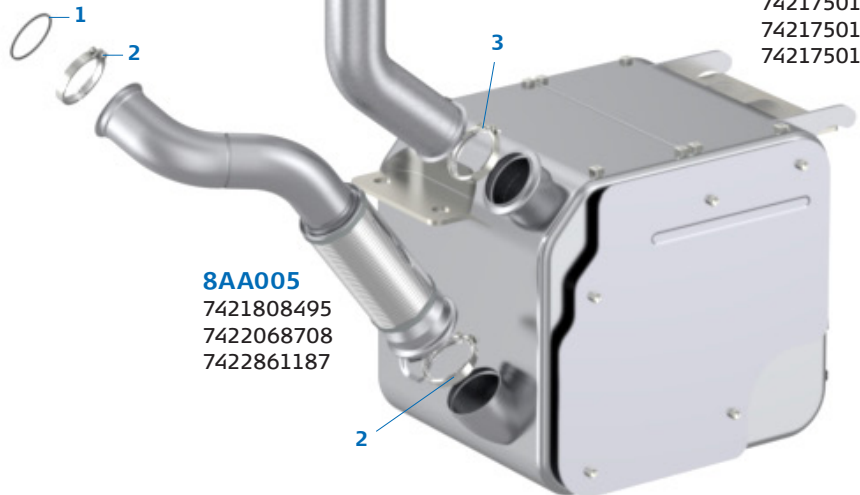
**8AG019**  
7421978777

**8AE018**  
7421978768

**8AE020**  
7421978925

**6GC005**  
7421750116  
7421750118  
7421750123

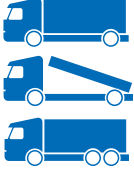
**8AA005**  
7421808495  
7422068708  
7422861187



EURO 6 - Horizontal

**System no:** 164000031

4x2 - 6x2 - 6x2/4



**Vehicle engine**

**DTI 8 / 7.7 ltr. / 6 cyl.**  
 186KW / 250HP  
 209KW / 280HP

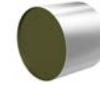


**Built-in substrates\***

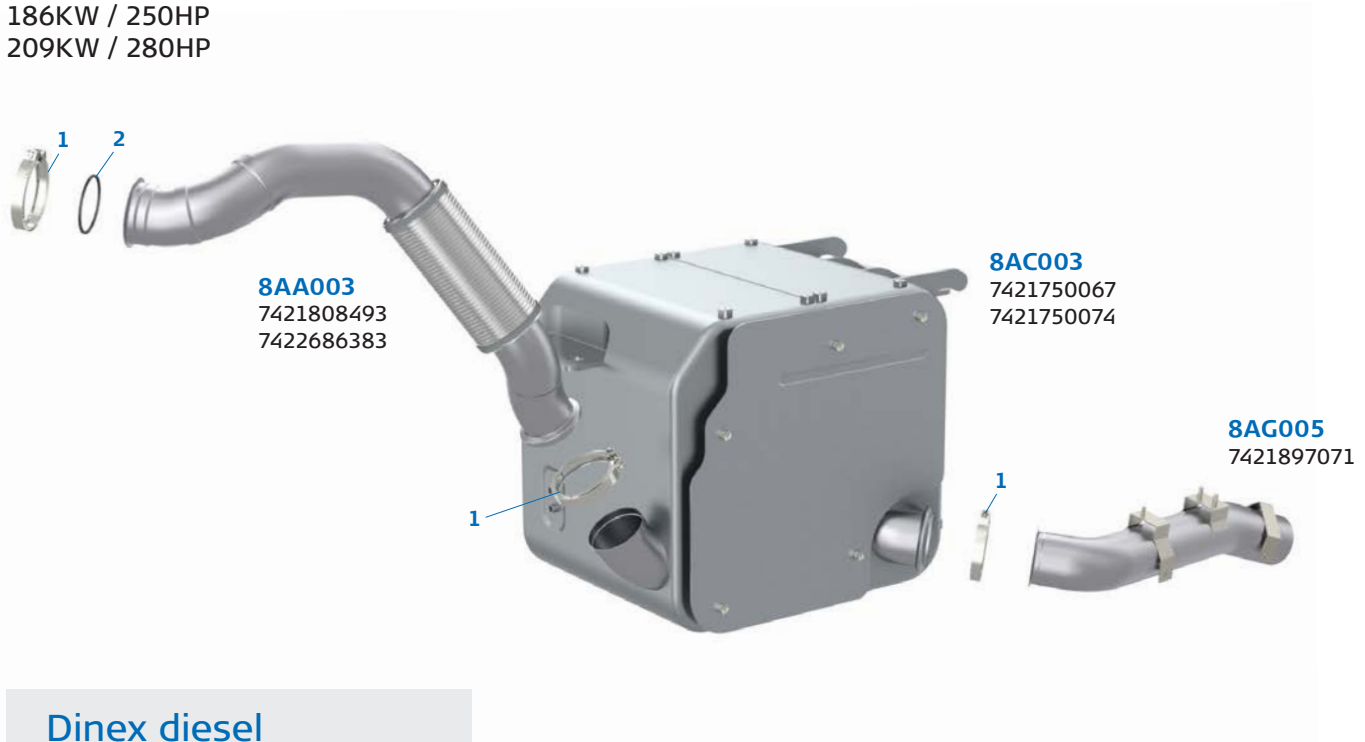
DOC  
9AA057



SCR with ASC  
9AA098



\*See page 94.



**8AA003**  
 7421808493  
 7422686383

**8AC003**  
 7421750067  
 7421750074

**8AG005**  
 7421897071

## Dinex diesel particulate filter kit

Dinex no: 8AI001 / New  
 Dinex no: 8AI001-RX / Reconditioned



OE no: 7421750157,  
 7485013250, 7423138863,  
 7421794709

Type: Diesel Particle Filter



Dinex no: 8AL014  
 OE no: 7421664904  
 Type: Clamp



Dinex no: 8AL013  
 OE no: 7421664918  
 Type: Gasket

x 2



Dinex no: 8AL015  
 OE no: 21664906,  
 7421664906  
 Type: Clamp

Kit number: 8AL030

## Sensors



Dinex no: 81050  
 OE no: 7421542714  
 Dinex no: 81049  
 OE no: 7421285163,  
 7422035664  
 Type: Temperature Sensor



Dinex no: 81030\*\*  
 OE no: 7421984358,  
 7485133215, 7422219283  
 Dinex no: 81032\*\*  
 OE no: 7422315988,  
 7422219281, 7421531797  
 Type: NOx Sensor

## Accessories

No.	Dinex no	OE no	Type
1.	80910	7421211715 7421472836	Clamp
2.	8AL001	7421758870	Gasket

EURO 6 - Vertical

**System no:** 164001038

4x2 - 6x2 - 6x2/4



**Vehicle engine**

**DTI 8 / 7.7 ltr. / 6 cyl.**  
186KW / 250HP  
209KW / 280HP

**8AG007**  
7421990566



**Built-in substrates\***

DOC  
9AA057

SCR with ASC  
9AA098



\*See page 94.

## Accessories

No.	Dinex no	OE no	Type
1.	8AL001	7421758870	Gasket
2.	80910	7421211715 7421472836	Clamp
3.	99630	7420743152 5010626719	Clamp

**8AE006**  
7421990563

## Dinex diesel particulate filter kit

Dinex no: 8AI001 / New  
Dinex no: 8AI001-RX / Reconditioned



OE no: 7421750157,  
7485013250, 7423138863,  
7421794709

Type: Diesel Particle Filter

Kit number: 8AL030



Dinex no: 8AL014  
OE no: 7421664904  
Type: Clamp



Dinex no: 8AL013  
OE no: 7421664918  
Type: Gasket



Dinex no: 8AL015  
OE no: 21664906,  
7421664906  
Type: Clamp

**8AE005**  
7421990339

**6GC005**  
7421750116  
7421750118  
7421750123



**8AA003**  
7421808493  
7422686383



## Sensors



Dinex no: 81050  
OE no: 7421542714  
Dinex no: 81049  
OE no: 7421285163,  
7422035664  
Type: Temperature Sensor

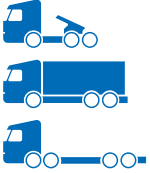


Dinex no: 81030\*\*  
OE no: 7421984358,  
7485133215, 7422219283  
Dinex no: 81032\*\*  
OE no: 7422315988,  
7422219281, 7421531797  
Type: NOx Sensor

EURO 6 - Horizontal

**System no:** 164000029

4x2 - 6x2



### Vehicle engine

**DTI 11 / 10.8 ltr. / 6 cyl.**

279KW / 380HP  
316KW / 430HP  
338KW / 460HP

**DTI 13 / 12.8 ltr. / 6cyl.**

323KW / 440HP  
353KW / 480HP  
382KW / 520HP

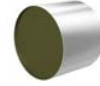


### Built-in substrates\*

DOC  
9AA024



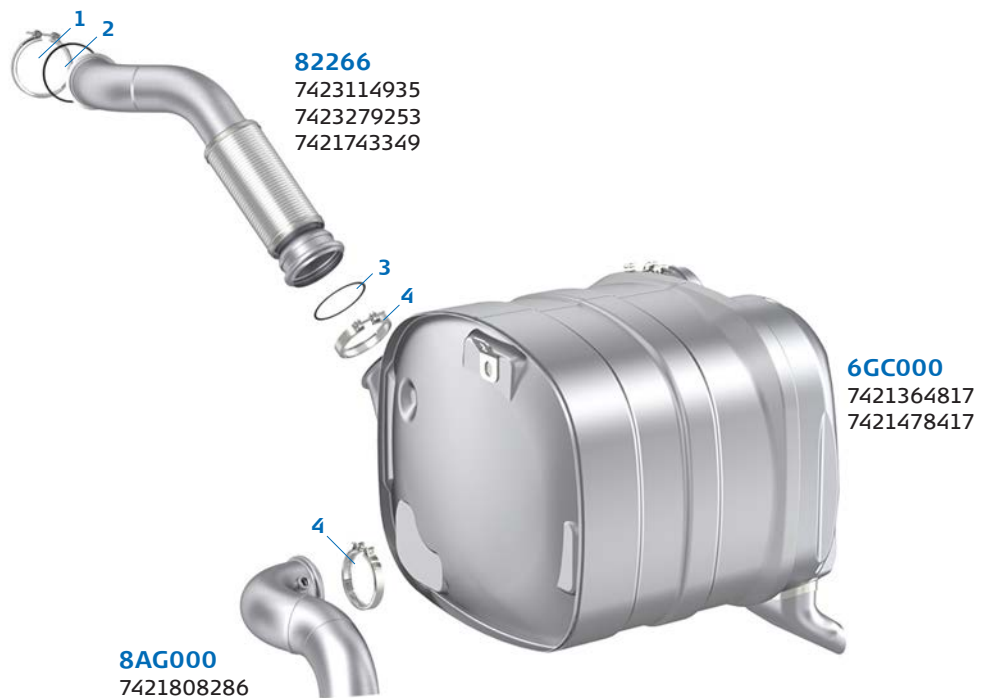
SCR with ASC  
9AA099



\*See page 94.

### Accessories

No.	Dinex no	OE no	Type
1.	8AL000	7422907382	Clamp
2.	8AL001	7421758870	Gasket
3.	78843	Universal	Gasket
4.	80921	7401629499 7421719872	Clamp



**82266**  
7423114935  
7423279253  
7421743349

**6GC000**  
7421364817  
7421478417

**8AG000**  
7421808286

### Dinex diesel particulate filter kit

Dinex no: 8AI002 / New

Dinex no: 8AI002-RX / Reconditioned



OE no: 7421716416,  
7421716414, 7423135543  
Type: Diesel Particle Filter

Kit number: 8AL031



Dinex no: 8AL006  
OE no: 7421445539  
Type: Clamp



Dinex no: 8AL005  
OE no: 7421570880  
Type: Gasket



Dinex no: 8AL016  
OE no: 21445536,  
7421445536  
Type: Clamp

### Sensors



Dinex no: 81049  
OE no: 7421285163,  
7422035664, 7422035664  
Type: Temperature Sensor

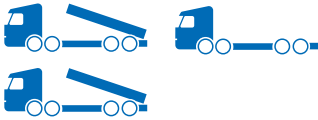


Dinex no: 81030\*\*  
OE no: 7421984358,  
7485133215, 742219283  
Dinex no: 81032\*\*  
OE no: 7422315988,  
7422219281, 7421531797  
Type: NOx Sensor

## EURO 6 - Vertical

**System no:** 164001037

6x4 - 6x6 - 8x4 - 8x4/4 - 8x6/4



### Vehicle engine

**DTI 11 / 10.8 ltr. / 6 cyl.**  
 279KW / 380HP  
 316KW / 430HP  
 338KW / 460HP

**DTI 13 / 12.8 ltr. / 6 cyl.**  
 323KW / 440HP  
 353KW / 480HP  
 382KW / 520HP

### Dinex diesel particulate filter kit

**Dinex no:** 8AI002 / New  
**Dinex no:** 8AI002-RX / Reconditioned



**OE no:** 7421716416,  
 7421716414, 7423135543  
**Type:** Diesel Particle Filter

Kit number: 8AL031



**Dinex no:** 8AL006  
**OE no:** 7421445539  
**Type:** Clamp



**Dinex no:** 8AL005  
**OE no:** 7421570880  
**Type:** Gasket



**Dinex no:** 8AL016  
**OE no:** 21445536,  
 7421445536  
**Type:** Clamp

### Sensors



**Dinex no:** 81049  
**OE no:** 7421285163,  
 7422035664, 7422035664  
**Type:** Temperature Sensor



**Dinex no:** 81030\*\*  
**OE no:** 7421984358,  
 7485133215, 7422219283  
**Dinex no:** 81032\*\*  
**OE no:** 7422315988,  
 7422219281, 7421531797  
**Type:** NOx Sensor

**8AG028**  
 7422189079

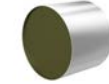


### Built-in substrates\*

**DOC**  
 9AA024



**SCR with ASC**  
 9AA099



\*See page 94.

### Accessories

No.	Dinex no	OE no	Type
1.	8AL000	7422907382	Clamp
2.	80921	7401629499 7421719872	Clamp
3.	78843	Universal	Gasket
4.	82812	7420961913	Clamp

**6GC002**  
 7421364836



**8AE048**  
 7422205240  
 7422968313  
 7421617041

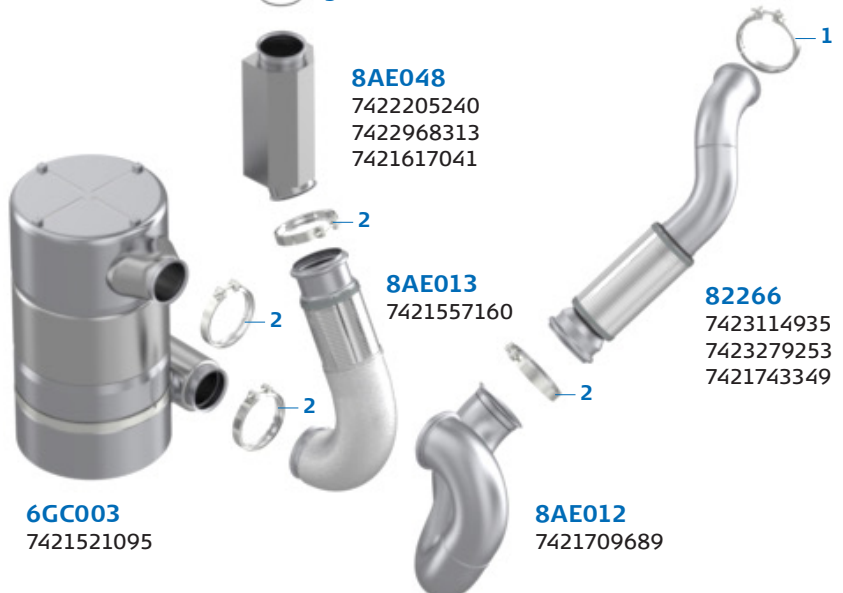


**8AE013**  
 7421557160



**82266**  
 7423114935  
 7423279253  
 7421743349

**6GC003**  
 7421521095



**8AE012**  
 7421709689

# SCANIA



## Content **SCANIA**

The only ATS unit with both – easily replaceable DPF and DOC without any cutting or welding for the most longevity. The flex-pipes are made from high quality stainless steel, wound and tested to the highest detail contributing to the benefits of replaceable substrates. Direct replacement for OE unit. Dinex also offers all exhaust pipes and other parts related to exhaust system for Scania trucks.

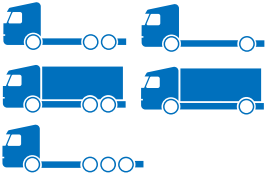
### Type/Model

P/G/R .....	64
-------------	----

## EURO 6 - Horizontal

**System no:** 168000096

4x2 - 6x2 - 6x4 - 6x2/4 - 8x2/6



### Vehicle engine

**DC9 / 9.3 ltr. / 5 cyl.**

183KW/250HP  
205KW/280HP  
235KW/320HP  
264KW/360HP



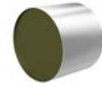
### Built-in substrates\*

**DOC**  
6LI006

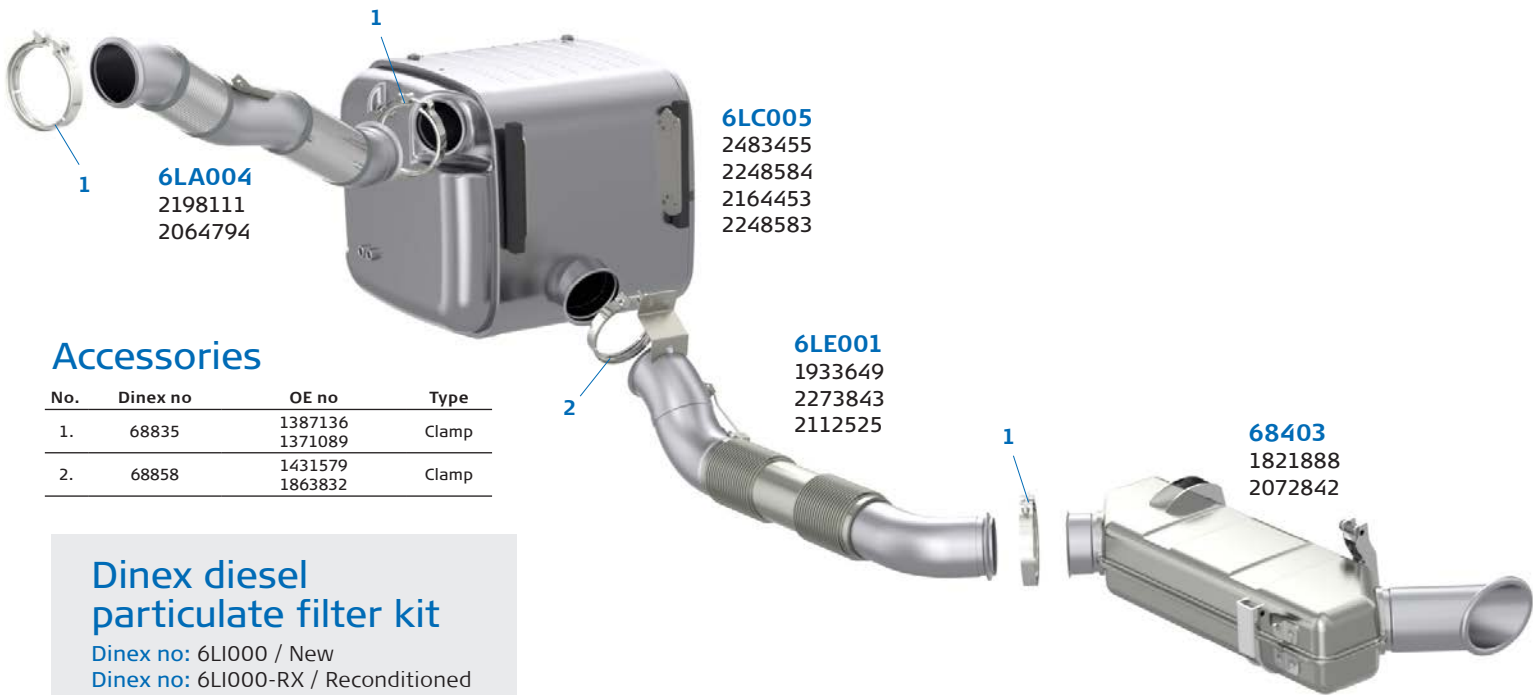


**OE no**  
2411989  
2346379  
2362337

**SCR with ASC**  
9AA096



\*See page 94.



**6LA004**  
2198111  
2064794

**6LC005**  
2483455  
2248584  
2164453  
2248583

**6LE001**  
1933649  
2273843  
2112525

**68403**  
1821888  
2072842

### Accessories

No.	Dinex no	OE no	Type
1.	68835	1387136 1371089	Clamp
2.	68858	1431579 1863832	Clamp

### Dinex diesel particulate filter kit

Dinex no: 6LI000 / New

Dinex no: 6LI000-RX / Reconditioned



**OE no:** 2097594,  
2575576,2179961  
**Type:** Diesel Particle Filter

Kit number: 6LL016



**Dinex no:** 6LL008  
**Type:** Gasket



**Dinex no:** 6LL006  
**OE no:** 2097659  
**Type:** Gasket



**Dinex no:** 6LL005  
**OE no:** 2097660  
**Type:** Clamp

### Sensors



**Dinex no:** 67042  
**OE no:** 2301359  
**Type:** Temperature Sensor



**Dinex no:** 67031\*\*  
**OE no:** 2294290,  
2296800  
**Dinex no:** 67032\*\*  
**OE no:** 2247381,  
2294291  
**Type:** NOx Sensor



## EURO 6 - Horizontal

**System no:** 168000091

4x2 - 6x2/4 - 6x4



### Vehicle engine

**DC13 / 12.7 ltr. / 6cyl.**

272KW / 370HP

302KW / 410HP

331KW / 450HP

368KW / 500HP



### Built-in substrates\*

**DOC**  
6LI006

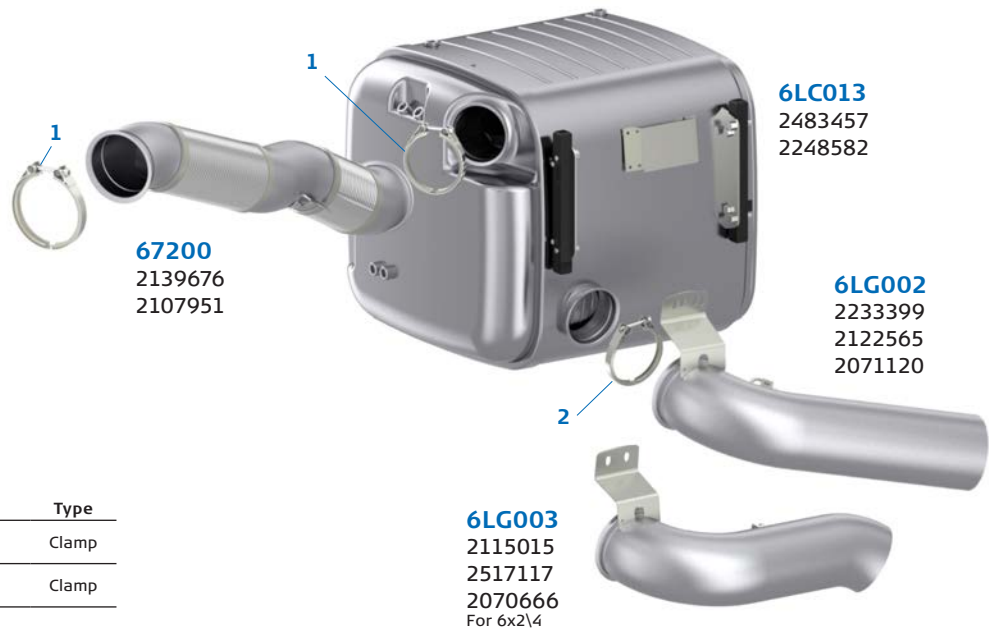


**OE no**  
2411989  
2346379  
2362337

**SCR with ASC**  
9AA096



\*See page 94.



**67200**  
2139676  
2107951

**6LC013**  
2483457  
2248582

**6LG002**  
2233399  
2122565  
2071120

**6LG003**  
2115015  
2517117  
2070666  
For 6x2/4

### Accessories

No.	Dinex no	OE no	Type
1.	68835	1387136 1371089	Clamp
2.	68858	1431579 1863832	Clamp

### Dinex diesel particulate filter kit

**Dinex no:** 6LI000 / New

**Dinex no:** 6LI000-RX / Reconditioned



**OE no:** 2097594,  
2575576,2179961  
**Type:** Diesel Particle Filter

Kit number: 6LL016



**Dinex no:** 6LL008  
**Type:** Gasket



**Dinex no:** 6LL006  
**OE no:** 2097659  
**Type:** Gasket



**Dinex no:** 6LL005  
**OE no:** 2097660  
**Type:** Clamp

### Sensors



**Dinex no:** 67042  
**OE no:** 2301359  
**Type:** Temperature Sensor



**Dinex no:** 67031\*\*  
**OE no:** 2294290,  
2296800  
**Dinex no:** 67032\*\*  
**OE no:** 2247381,  
2294291  
**Type:** NOx Sensor

## EURO 6 - Horizontal

**System no:** 168000092

4x2 - 6x2



### Vehicle engine

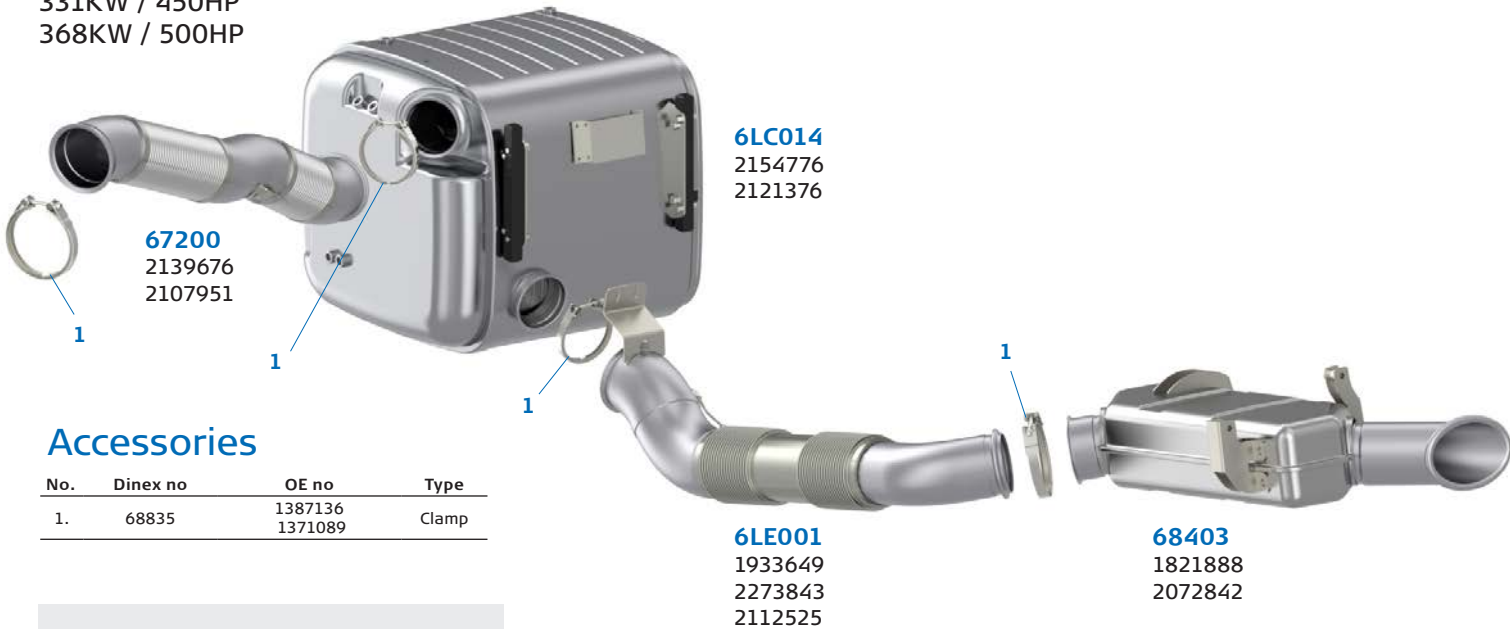
**DC13 / 12.7 ltr. / 6 cyl.**

272KW / 370HP

302KW / 410HP

331KW / 450HP

368KW / 500HP



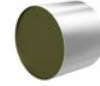
### Built-in substrates\*

**DOC**  
6LI006



**OE no**  
2411989  
2346379  
2362337

**SCR with ASC**  
9AA096



\*See page 94.

### Accessories

No.	Dinex no	OE no	Type
1.	68835	1387136 1371089	Clamp

### Dinex diesel particulate filter kit

Dinex no: 6LI000 / New

Dinex no: 6LI000-RX / Reconditioned



**OE no:** 2097594,  
2575576,2179961  
**Type:** Diesel Particle Filter

Kit number: 6LL016



**Dinex no:** 6LL008  
**Type:** Gasket



**Dinex no:** 6LL006  
**OE no:** 2097659  
**Type:** Gasket



**Dinex no:** 6LL005  
**OE no:** 2097660  
**Type:** Clamp

### Sensors



**Dinex no:** 67042  
**OE no:** 2301359  
**Type:** Temperature Sensor



**Dinex no:** 67031\*\*  
**OE no:** 2294290,  
2296800  
**Dinex no:** 67032\*\*  
**OE no:** 2247381,  
2294291  
**Type:** NOx Sensor

Manufacturers part numbers are quoted for reference only.

All accessories are included within the DPF kits or can be purchased separately. \*\*See page 101 for Continental reference to ensure correct software revision.

## EURO 6 - Horizontal

**System no:** 168000095

6x2 - 6x2/4



### Vehicle engine

**DC13 / 12.7 ltr. / 6 cyl.**  
 272KW / 370HP  
 302KW / 410HP  
 331KW / 450HP  
 368KW / 500HP



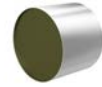
### Built-in substrates\*

**DOC**  
6LI006

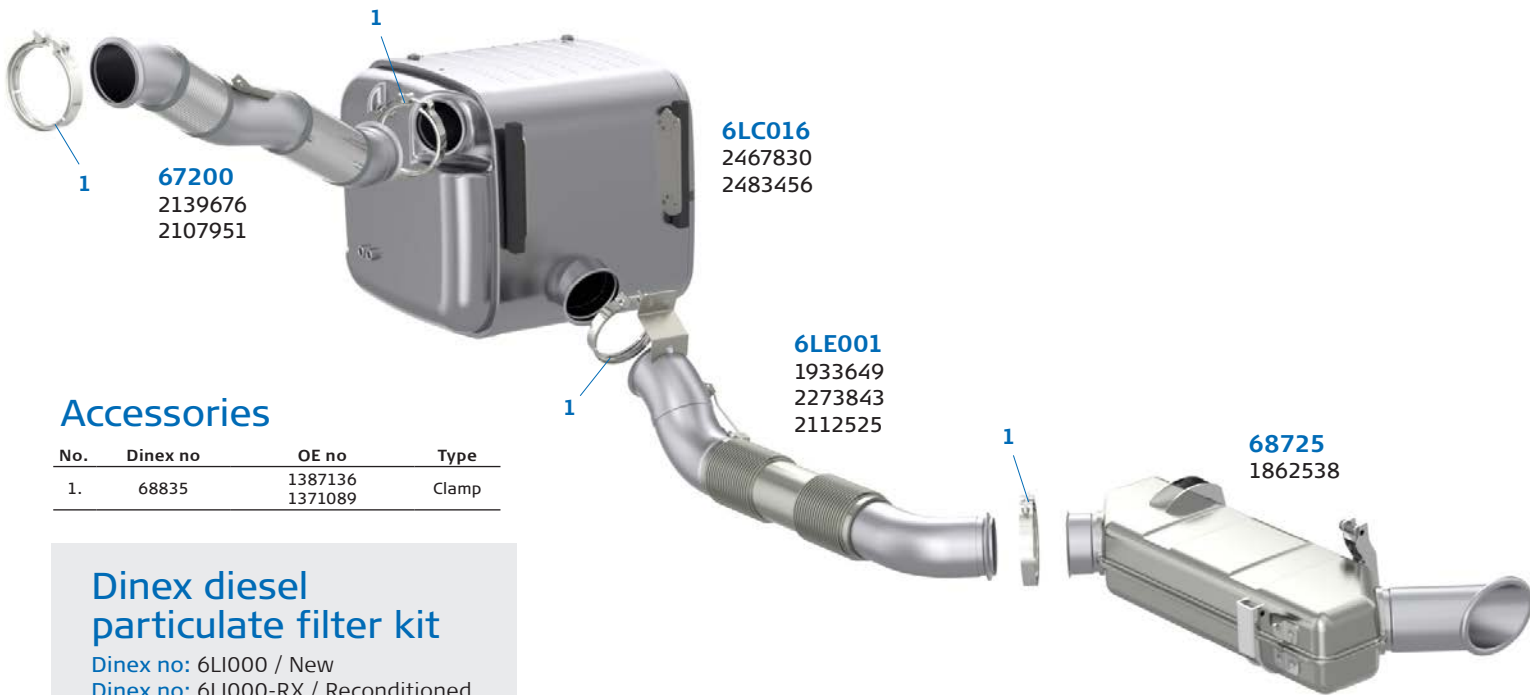


**OE no**  
2411989  
2346379  
2362337

**SCR with ASC**  
9AA096



\*See page 94.



**67200**  
2139676  
2107951

**6LC016**  
2467830  
2483456

**6LE001**  
1933649  
2273843  
2112525

**68725**  
1862538

### Accessories

No.	Dinex no	OE no	Type
1.	68835	1387136 1371089	Clamp

### Dinex diesel particulate filter kit

Dinex no: 6LI000 / New  
 Dinex no: 6LI000-RX / Reconditioned



**OE no:** 2097594,  
2575576,2179961  
**Type:** Diesel Particle Filter



**Dinex no:** 6LL008  
**Type:** Gasket



**Dinex no:** 6LL006  
**OE no:** 2097659  
**Type:** Gasket



**Dinex no:** 6LL005  
**OE no:** 2097660  
**Type:** Clamp

Kit number: 6LLO16

### Sensors



**Dinex no:** 67042  
**OE no:** 2301359  
**Type:** Temperature Sensor



**Dinex no:** 67031\*\*  
**OE no:** 2294290,  
2296800  
**Dinex no:** 67032\*\*  
**OE no:** 2247381,  
2294291  
**Type:** NOx Sensor

Manufacturers part numbers are quoted for reference only.

All accessories are included within the DPF kits or can be purchased separately. \*\*See page 101 for Continental reference to ensure correct software revision.

## EURO 6 - Horizontal

**System no:** 168000093

4x2 - 6x2

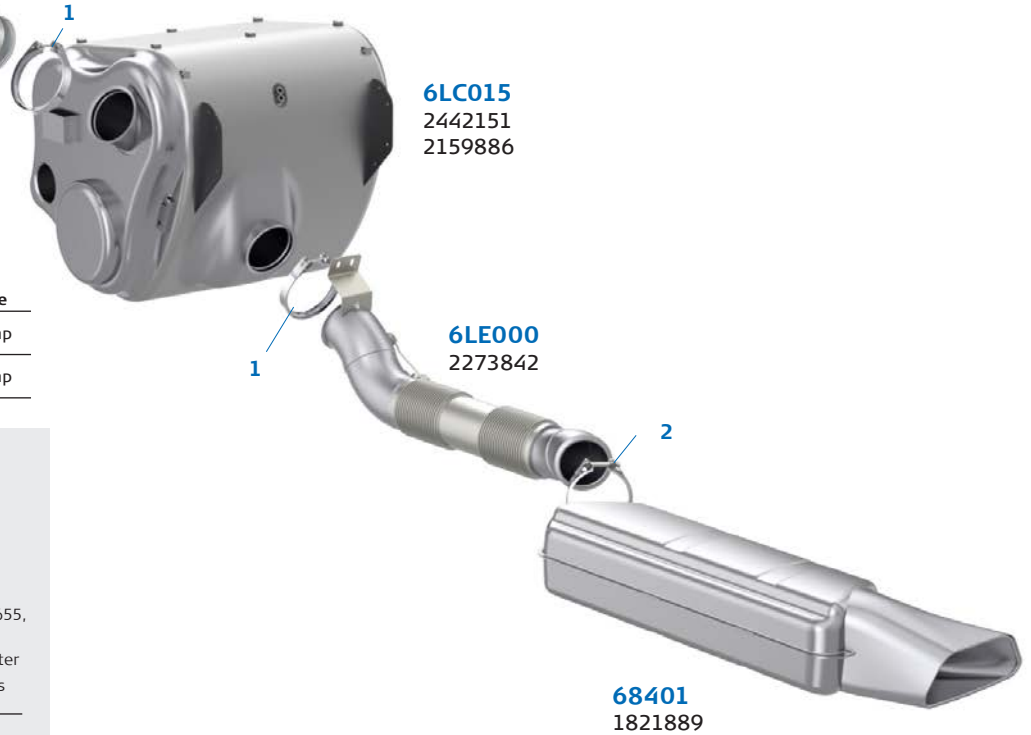


### Vehicle engine

**DC16 / 16.3 ltr. / 8 cyl.**  
382KW / 520HP  
427KW / 580HP  
479KW / 650HP  
537KW / 730HP

### Accessories

No.	Dinex no	OE no	Type
1.	68835	1387136 1371089	Clamp
2.	68858	1431579 1863832	Clamp



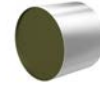
### Built-in substrates\*

**DOC**  
6LI002



**OE no**  
2137587  
570749

**SCR with ASC**  
9AA097



\*See page 94.

### Dinex diesel particulate filter kit

Dinex no: 6LI001 / New

Dinex no: 6LI001-RX / Reconditioned



**OE no:** 2446964, 2222655, 2137598

**Type:** Diesel Particle Filter  
Silencer contains 2 units



Kit number: 6LL017

x 2 / x 3 = refers to amount needed.



### Sensors



## EURO 6 - Horizontal

**System no:** 168000094

4x2 - 6x2



### Vehicle engine

**DC16 / 16.3 ltr. / 8 cyl.**

382KW / 520HP

427KW / 580HP

479KW / 650HP

537KW / 730HP



### Built-in substrates\*

**DOC**  
6LI002

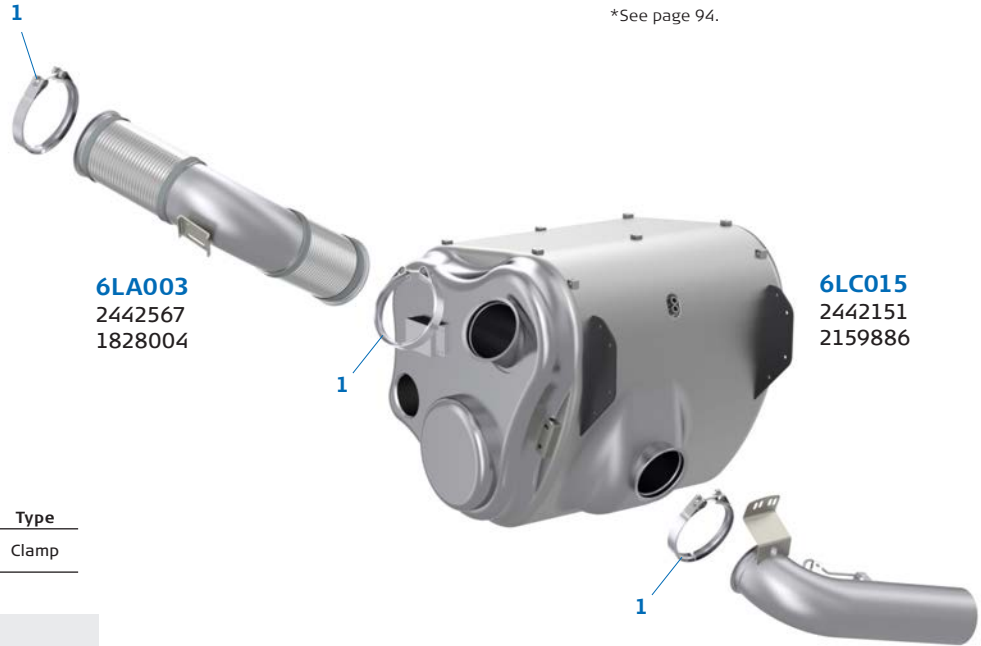


**OE no**  
2137587  
570749

**SCR with ASC**  
9AA097



\*See page 94.



**6LA003**  
2442567  
1828004

**6LC015**  
2442151  
2159886

**6LG002**  
2233399  
2122565  
2071120

### Accessories

No.	Dinex no	OE no	Type
1.	68858	1431579 1863832	Clamp

### Dinex diesel particulate filter kit

Dinex no: 6LI001 / New

Dinex no: 6LI001-RX / Reconditioned



**OE no:** 2446964, 2222655, 2137598

**Type:** Diesel Particle Filter  
Silencer contains 2 units



x 3

**Dinex no:** 6LL000

**OE no:** 2137233

**Type:** Clamp



x 2

**Dinex no:** 6LL001

**OE no:** 2137328

**Type:** Cover plate



x 2

**Dinex no:** 6LL003

**OE no:** 2137236

**Type:** Gasket



x 2

**Dinex no:** 6LL002

**OE no:** 2137231

**Type:** Gasket



**Dinex no:** 6LL004

**OE no:** 2137360

**Type:** End plate

### Sensors



**Dinex no:** 67041

**OE no:** 2301360

**Type:** Temperature Sensor



**Dinex no:** 67031\*\*

**OE no:** 2294290,  
2296800

**Dinex no:** 67032\*\*

**OE no:** 2247381,  
2294291

**Type:** NOx Sensor

EURO 6 - Vertical

**System no:** 168001040

4x4



**Vehicle engine**

**DC13 / 12.7 ltr. / 6 cyl.**  
 272KW / 370HP  
 302KW / 410HP  
 331KW / 450HP  
 368KW / 500HP



**Built-in substrates\***

**DOC**  
6LI006



**OE no**  
2411989  
2346379  
2362337

**SCR with ASC**  
9AA096



\*See page 94.

## Accessories

No.	Dinex no	OE no	Type
1.	68835	1387136 1371089	Clamp
2.	68858	1431579 1863832	Clamp
3.	99925	Universal	Clamp

**68741**  
1727567

**68742**  
1727568



3

**6LC004**  
2562345  
2184873

2

**6LE007**  
1924401  
2308391  
2134978

2

**6LC017**  
2330524  
2352102

1

**6LA007**  
2104561

1

## Dinex diesel particulate filter kit

**Dinex no:** 6LI000 / New  
**Dinex no:** 6LI000-RX / Reconditioned



**OE no:** 2097594,  
2575576,2179961  
**Type:** Diesel Particle Filter

Kit number: 6LL016



**Dinex no:** 6LL008  
**Type:** Gasket



**Dinex no:** 6LL006  
**OE no:** 2097659  
**Type:** Gasket



**Dinex no:** 6LL005  
**OE no:** 2097660  
**Type:** Clamp

## Sensors



**Dinex no:** 67042  
**OE no:** 2301359  
**Type:** Temperature Sensor



**Dinex no:** 67031\*\*  
**OE no:** 2294290,  
2296800  
**Dinex no:** 67032\*\*  
**OE no:** 2247381,  
2294291  
**Type:** NOx Sensor



# VOLVO



## Content VOLVO

Well-designed one-box solution with the same PGM loading as OE to secure complete system functionality. This system uses cordierite DOC, DPF and SCR. DPF is easily replaceable and more affordable. Combined with the advanced DOC, SCR and high-quality insulation technologies, the emission levels are on par with that of OE. Dinex also offers all exhaust pipes and other parts related to exhaust system for Volvo trucks.

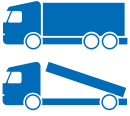
### Type/Model

FL .....	72
FE .....	73
FM .....	76
FM/FH.....	77
FMX.....	78

## EURO 6 - Horizontal

**System no:** 180000027

4x2 - 4x4



### Vehicle engine

**D5K / 5.1 ltr. / 4 cyl.**

154KW / 210HP

177KW / 240HP

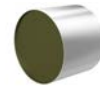


### Built-in substrates\*

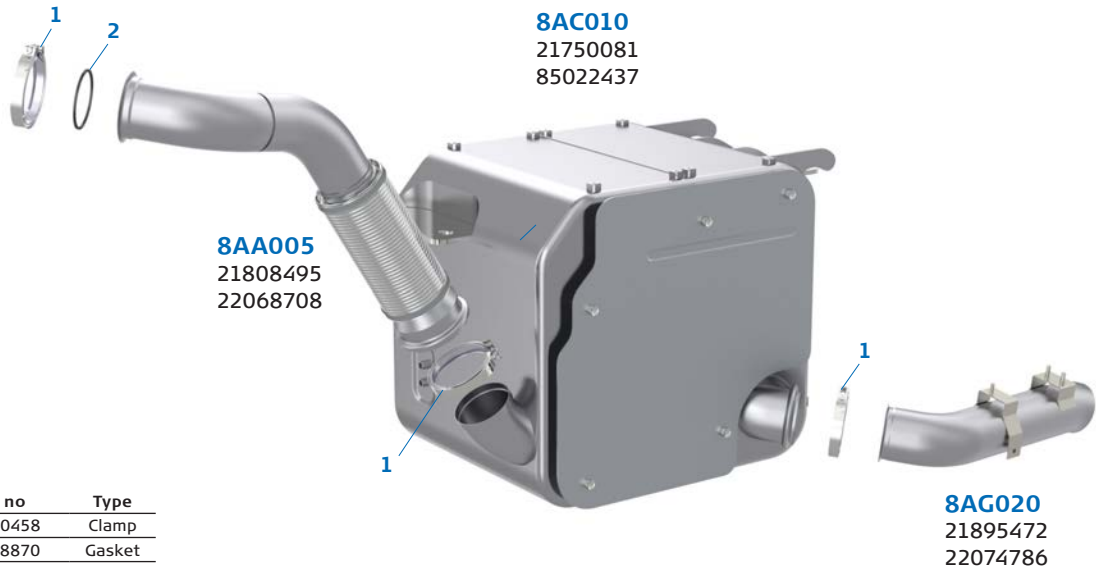
DOC  
9AA057



SCR with ASC  
9AA098



\*See page 94.



### Accessories

No.	Dinex no	OE no	Type
1.	8AL012	60110458	Clamp
2.	8AL001	21758870	Gasket

### Dinex diesel particulate filter kit

Dinex no: 8AI001 / New

Dinex no: 8AI001-RX / Reconditioned



OE no: 21794709,  
21750157, 21922979,  
23037748

Type: Diesel Particle Filter

Kit number: 8AL030



x 2

Dinex no: 8AL013

OE no: 21664918

Type: Sealing ring



Dinex no: 8AL014

OE no: 21664904

Type: Clamp



Dinex no: 8AL015

OE no: 21664906

Type: Clamp

### Sensors



Dinex no: 81049

OE no: 21285163

Type: Temperature Sensor



Dinex no: 81030\*\*

OE no: 21531794,  
21387788, 20751663

Dinex no: 81032\*\*

OE no: 21474015,  
22219281, 22315988

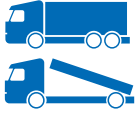
Type: NOx Sensor



## EURO 6 - Horizontal

**System no:** 180000028

4x2



### Vehicle engine

**D8K / 7.7 ltr. / 6 cyl.**  
 206KW / 580HP  
 235KW / 320HP



### Built-in substrates\*

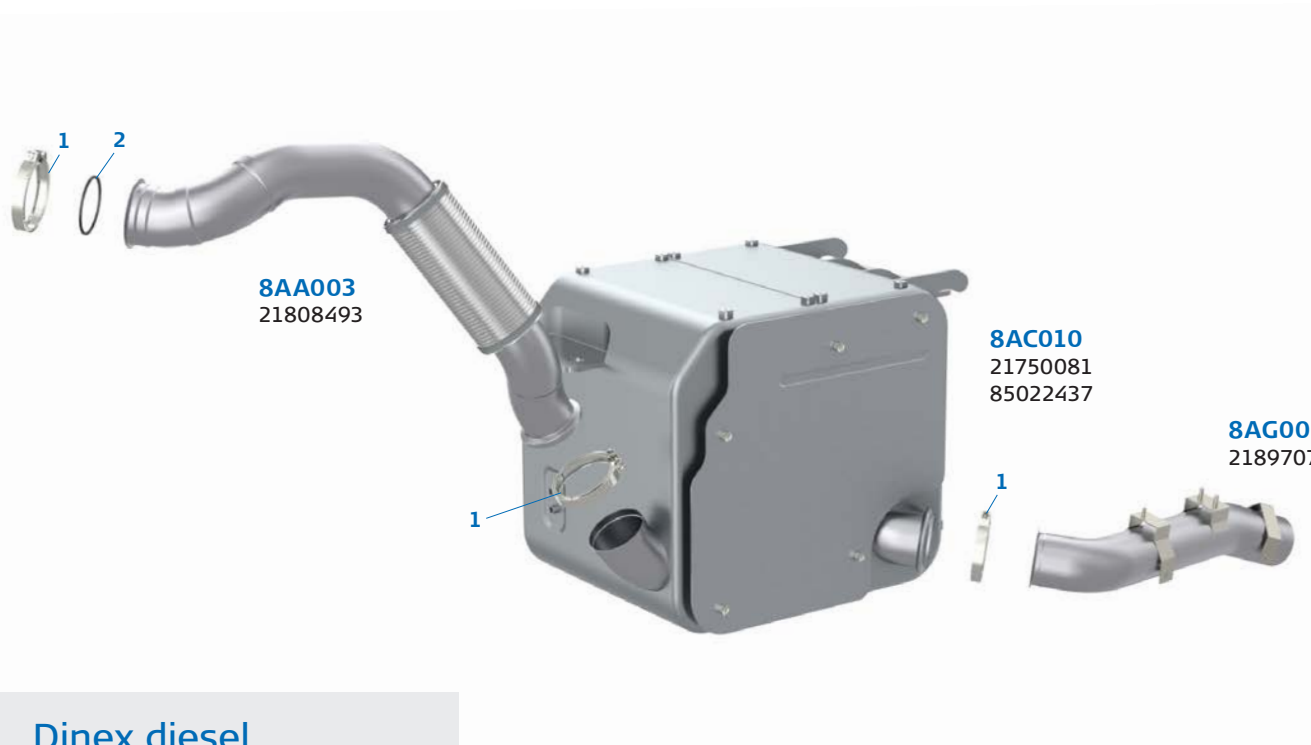
DOC  
9AA057



SCR with ASC  
9AA098



\*See page 94.



## Dinex diesel particulate filter kit

Dinex no: 8AI001 / New  
 Dinex no: 8AI001-RX / Reconditioned



**OE no:** 21794709,  
21750157, 21922979,  
23037748  
**Type:** Diesel Particle Filter

**Dinex no:** 8AL013  
**OE no:** 21664918  
**Type:** Sealing ring

**Dinex no:** 8AL014  
**OE no:** 21664904  
**Type:** Clamp

**Dinex no:** 8AL015  
**OE no:** 21664906  
**Type:** Clamp

Kit number: 8AL030  
 x 2

## Sensors



**Dinex no:** 81049  
**OE no:** 21285163  
**Type:** Temperature Sensor



**Dinex no:** 81030\*\*  
**OE no:** 21531794,  
21387788, 20751663  
**Dinex no:** 81032\*\*  
**OE no:** 21474015,  
22219281, 22315988  
**Type:** NOx Sensor

## Accessories

No.	Dinex no	OE no	Type
1.	80910	9522798 21472836	Clamp
2.	8AL001	21758870	Gasket

## EURO 6 - Vertical

**System no:** 180001038

4x2



### Vehicle engine

**D8K / 7.7 ltr. / 6 cyl.**  
 184KW / 250HP  
 206KW / 280HP

### Accessories

No.	Dinex no	OE no	Type
1.	8AL001	21758870	Gasket
2.	8AL012	60110458	Clamp
3.	99120	20760074	Clamp

### Dinex diesel particulate filter kit

Dinex no: 8AI001 / New  
 Dinex no: 8AI001-RX / Reconditioned



**OE no:** 21794709,  
 21750157, 21922979,  
 23037748

**Type:** Diesel Particle Filter

Kit number: 8AL030



x 2

**Dinex no:** 8AL013  
**OE no:** 21664918  
**Type:** Sealing ring



**Dinex no:** 8AL014  
**OE no:** 21664904  
**Type:** Clamp



**Dinex no:** 8AL015  
**OE no:** 21664906  
**Type:** Clamp

### Sensors



**Dinex no:** 81049  
**OE no:** 21285163  
**Type:** Temperature Sensor



**Dinex no:** 81030\*\*  
**OE no:** 21531794,  
 21387788, 20751663  
**Dinex no:** 81032\*\*  
**OE no:** 21474015,  
 22219281, 22315988  
**Type:** NOx Sensor

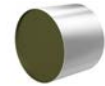


### Built-in substrates\*

**DOC**  
 9AA057



**SCR with ASC**  
 9AA098



\*See page 94.

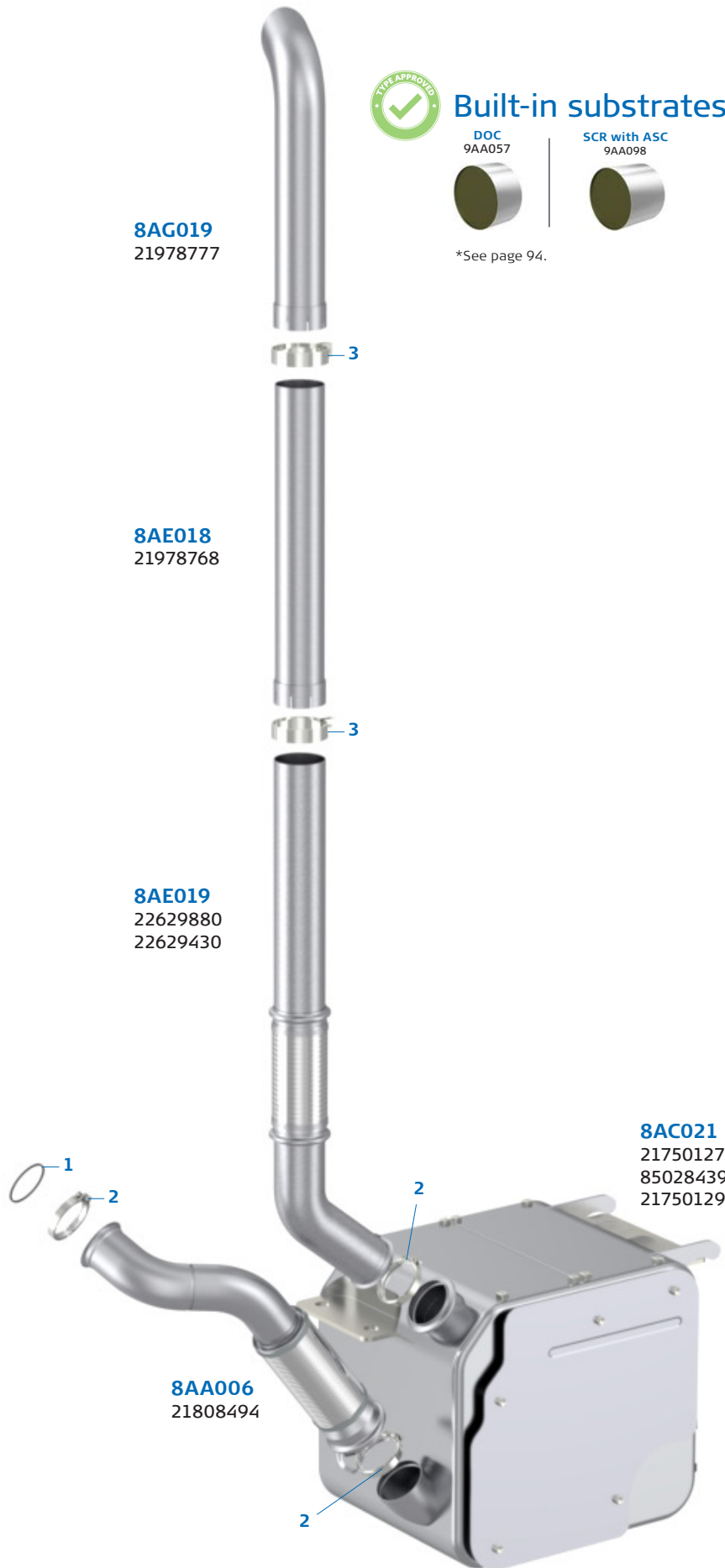
**8AG019**  
 21978777

**8AE018**  
 21978768

**8AE019**  
 22629880  
 22629430

**8AC021**  
 21750127  
 85028439  
 21750129

**8AA006**  
 21808494



EURO 6 - Horizontal

**System no:** 180000026

4x2 - 6x2 - 6x2/2 - 6x2/4



**Vehicle engine**

**D11 / 10.8 ltr. / 6 cyl.**

309KW / 420HP

332KW / 450HP



**Built-in substrates\***

DOC  
9AA024



SCR with ASC  
9AA099



\*See page 94.



**82266**  
22101241  
22327400  
22919602



3



4

**8AE000**  
21456672  
21489253  
21489251

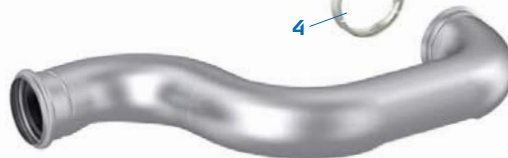
**8AC000**  
21364822  
21582824  
85013382



**8AC007**  
21858894



5



**8AE002**  
21489247  
21489249

## Dinex diesel particulate filter kit

Dinex no: 8AI004 / New

Dinex no: 8AI004-RX / Reconditioned



OE no: 21716417

Type: Diesel Particle Filter

Dinex no: 8AL006

OE no: 21445539

Type: Clamp

Dinex no: 8AL005

OE no: 21570880

Type: Gasket

Dinex no: 8AL016

OE no: 21445536

Type: Clamp

Kit number: 8AL031

x 2

## Accessories

No.	Dinex no	OE no	Type
1.	80910	9522798 21472836	Clamp
2.	8AL001	21758870	Gasket
3.	78843	Universal	Gasket
4.	80921	1629499 21719872	Clamp
5.	8AL003	22907383	Clamp
6.	80924	1628246 20743127	Clamp

## Sensors



Dinex no: 81049

OE no: 21285163

Type: Temperature Sensor



Dinex no: 81030\*\*

OE no: 21531794,  
21387788, 20751663

Dinex no: 81032\*\*

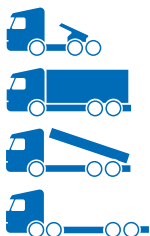
OE no: 21474015,  
22219281, 22315988

Type: NOx Sensor

## EURO 6 - Horizontal

**System no:** 180000025

4x2 - 6x2 - 6x4 - 8x4 - 6x6



### Vehicle engine

**D13 / 12.8 ltr. / 6 cyl.**

309KW / 420HP

338KW / 460HP

368KW / 500HP

397KW / 540HP



### Built-in substrates\*

DOC  
9AA024



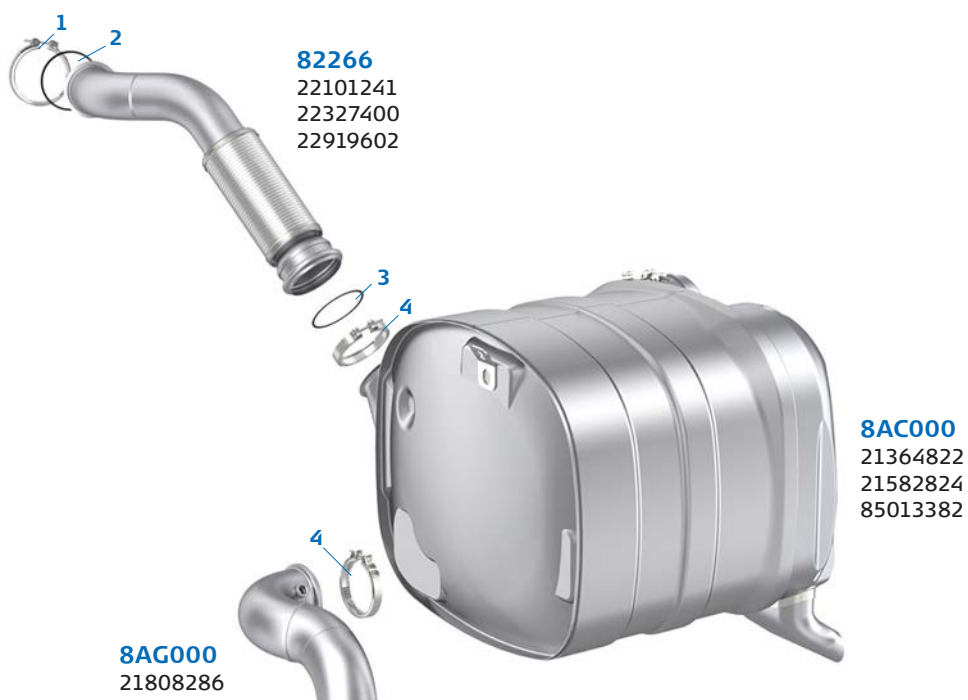
SCR with ASC  
9AA099



\*See page 94.

### Accessories

No.	Dinex no	OE no	Type
1.	80910	9522798 21472836	Clamp
2.	8AL001	21758870	Gasket
3.	78843	Universal	Gasket
4.	80921	1629499 21719872	Clamp



### Dinex diesel particulate filter kit

Dinex no: 8AI004 / New

Dinex no: 8AI004-RX / Reconditioned



OE no: 21716417  
Type: Diesel Particle Filter

Kit number: 8AL031



Dinex no: 8AL006  
OE no: 21445539  
Type: Clamp



Dinex no: 8AL005  
OE no: 21570880  
Type: Gasket



Dinex no: 8AL016  
OE no: 21445536  
Type: Clamp

### Sensors



Dinex no: 81049  
OE no: 21285163  
Type: Temperature Sensor

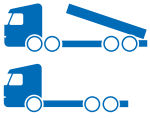


Dinex no: 81030\*\*  
OE no: 21531794,  
21387788, 20751663  
Dinex no: 81032\*\*  
OE no: 21474015,  
22219281, 22315988  
Type: NOx Sensor

## EURO 6 - Vertical

**System no:** 180001037

8x4 - 8x6 - 8x8



### Vehicle engine

**D13 / 12.8 ltr. / 6 cyl.**

309KW / 420HP

338KW / 460HP

368KW / 500HP

397KW / 540HP

**8AG028**  
22189079  
21950294

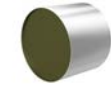


### Built-in substrates\*

DOC  
9AA024



SCR with ASC  
9AA099



\*See page 94.

### Accessories

No.	Dinex no	OE no	Type
1.	80910	9522798 21472836	Clamp
2.	80921	1629499 21719872	Clamp
3.	78843	Universal	Gasket
4.	82812	20961913	Clamp

### Dinex diesel particulate filter kit

Dinex no: 8AI002 / New

Dinex no: 8AI002-RX / Reconditioned



OE no: 21716414  
Type: Diesel Particle Filter



Dinex no: 8AL006  
OE no: 21445539  
Type: Clamp



Dinex no: 8AL005  
OE no: 21570880  
Type: Gasket



Dinex no: 8AL016  
OE no: 21445536  
Type: Clamp

Kit number: 8AL031  
x 2

**8AC023**  
21427939

### Sensors



Dinex no: 81049  
OE no: 21285163  
Type: Temperature Sensor



Dinex no: 81030\*\*  
OE no: 21531794,  
21387788, 20751663  
Dinex no: 81032\*\*  
OE no: 21474015,  
22219281, 22315988  
Type: NOx Sensor

**8AC022**  
21521100

**8AE048**  
21617041  
22205240  
22968313

**8AE013**  
21557160

**8AE012**  
21709689

**82266**  
22101241  
22327400  
22919602

## DAF

Dinex no.	OE no.	Page
22029	2040451	22
22035	1862931	19, 20, 21, 22, 23, 24, 25
22035	2139930	19, 20, 21, 22, 23, 24, 25
22038	1971946	17, 18
22039	1928761	17, 18
22042	1851853	19, 20, 21, 23, 24
22043	1863283	19, 20, 21, 23, 24, 25
22044	1971911	17, 18, 22
22045	1971903	17, 18, 22
22046	1924191	25
99704	1702279	22
99704	1701991	22
99730	1296068	23
1J1001	2137422	18
1J1001	1997433	18
2AA003	1708979	17, 18, 22
2AA003	1712766	17, 18, 22
2AA003	1708560	17, 18, 22
2AA004	1954914	19, 21, 25
2AA004	1972009	19, 21, 25
2AA006	1954912	20, 23, 24
2AD001	1708563	17
2AD003	1947131	19, 24
2AD003	1940951	19, 24
2AD004	1924181	19, 24
2AD004	1933421	19, 24
2AD005	1708567	18
2AD006	1924188	23
2AD007	1709468	22
2AD014	1903901	20
2AD015	1947136	20
2AD016	1924189	21
2AD017	1947139	21
2AD018	1947138	23

Dinex no.	OE no.	Page
2AD019	1947132	25
2AD020	1933422	25
2AE000	1706320	17
2AE000	1706598	17
2AE000	1712671	17
2AE001	1980139	25
2AE001	2037072	25
2AE001	1951177	25
2AE002	1883366	25
2AE004	1883371	21
2AE005	2036204	21
2AE005	1883377	21
2AE006	1883375	19, 20, 23, 24
2AE006	1883368	19, 20, 23, 24
2AE006	2121610	19, 20, 23, 24
2AE008	1940149	20
2AE011	1709703	22
2AE012	1709837	22
2AE013	1883362	20
2AE014	1883363	20
2AE015	1939327	23
2AE016	1883373	21
2AE016	2015357	21
2AG000	1707467	17, 18
2AG001	1900816	19, 20, 21, 24, 25
2AG001	1940702	19, 20, 21, 24, 25
2AG001	1940703	19, 20, 21, 24, 25
2AG002	1709852	22
2AG003	1709370	22
2AG004	1972579	23
2AI000	1891485	19, 20, 21, 23, 24, 25
2AI000	1945456	19, 20, 21, 23, 24, 25
2AI000	2137441R	19, 20, 21, 23, 24, 25
2AI003	1961522	17, 22
2AI004	1927181	19, 20, 21, 23, 24, 25
2AL000	1708562	17, 18, 22

Dinex no.	OE no.	Page
2AL001	1704962	17, 18, 22
2AL002	1980467	19, 20, 21, 23, 24, 25
2AL002	1997980	19, 20, 21, 23, 24, 25
2AL003	1895549	19, 20, 21, 23, 24, 25
2AL004	1980468	19, 20, 21, 23, 24, 25
2AL004	1997981	19, 20, 21, 23, 24, 25
2AL005	1895550	19, 20, 21, 23, 24, 25
2AL006	1836930	19, 20, 21
2AL006	1977517	20
2AL007	1827321	23
2AL008		19, 20, 21, 23, 24, 25
2AL009		19, 20, 21, 23, 24, 25
2AL010		19, 20, 21, 23, 24, 25
2AL011		19, 20, 21, 23, 24, 25
2AL012		19, 20, 21, 23, 24, 25
2AL013	1704961	17, 18, 22
2AL013	1711731	17, 18, 22
2AL017	1997442	18
2AL018		18
2AL019		18
2AL020	1707468	17, 18, 20
2AL021	1827320	23
2AL022	1976845	17, 22
6LL011		17, 22
6LL012		17, 22
9AA026		19, 20, 21, 23, 24, 25
9AA045		17, 18, 22
9AA087		19, 20, 21, 23, 24, 25
9AA088		17, 18, 22

## IVECO

Dinex no.	OE no.	Page
29031	5801627702	29, 30, 31, 32, 33, 34, 35, 36, 37, 38, 39
29031	5801429373	29, 30, 31, 32, 33, 34, 35, 36, 37, 38, 39
29032	5801754014	27, 28, 29, 30, 31, 32, 33, 34, 35, 36, 37, 38, 39
29043	5801455940	29, 30, 31, 32, 33, 34, 35, 36, 37, 38, 39

Dinex no.	OE no.	Page
29042	5801455941	27, 28, 29, 30, 31, 32, 33, 34, 35, 36, 37, 38, 39
29043	5801455940	29, 30, 31, 32, 33, 34, 35, 36, 37, 38, 39
29043	504102603	29, 30, 31, 32, 33, 34, 35, 36, 37, 38, 39
29045	5801908973	27, 28
29046	5801922815	27, 28
29047	5801732665	27, 28
29806	5801491218	29, 30, 31, 32, 33, 34, 35, 36, 37, 38, 39
70819	500339542	27, 28
70819	5801680759	27, 28
99489		27, 28
2KA000	5801292786	38, 39
2KA000	5801992211	38, 39
2KA001	5801362770	33, 34
2KA001	5801990172	33, 34
2KA003	5802001101	31
2KA003	5801436372	31
2KA006	5801364513	35
2KA006	5802000969	35
2KA007	5801766442	30
2KA007	5801328830	30
2KA009	5801348063	29
2KA018	5801447672	28
2KA019	5801522920	28
2KA020	5801447611	27
2KA021	5801385138	27
2KA038	5802002830	36, 37
2KA039	5802290342	32
2KC000	5801429216	38
2KC001	5801429215	29, 30, 33
2KC002	5801927875	31, 36
2KC005	5801448219	34, 39
2KC008	5801391038	28
2KC010	5801391046	27
2KC016	5801419950	35
2KC017	5801927869	37
2KC018	5802259328	32
2KG000	5801395668	33
2KG001	503123055	29, 30, 31, 32, 34, 35, 36, 37, 39

Dinex no.	OE no.	Page
2KG002	5801306798	38
2KG013	5801475667	27, 28
2KI000	5801651186	38
2KI000	5802039934	38
2KI002	5801651187	29, 30, 33
2KI002	5802039929	29, 33
2KI004	5802041639	31
2KI010	5801651188	34, 35, 37, 39
2KI010	5802039924	34, 35, 37, 39
2KI014	5801651207	28
2KI014	5802045132	28
2KI015	5801651208	27
2KI015	5802045133	27
2KI018	5802041633	32, 36
2KJ000	5801651134	29, 30, 31, 32, 33, 34, 35, 36, 37, 38, 39
2KL001	41288279	29, 30, 31, 32, 33, 34, 35, 36, 37, 38, 39
2KL002	5801491218	29, 30, 31, 32, 33, 34, 35, 36, 37, 38, 39
2KL014		29, 30, 31, 32, 33, 34, 35, 36, 37, 38, 39
2KL015		29, 30, 31, 32, 33, 34, 35, 36, 37, 38, 39
2KL016		29, 30, 31, 32, 33, 34, 35, 36, 37, 38, 39
2KL017	5801651206	27, 28
2KL018	5801478451	27, 28
2KL028		27, 28
2KL029		27, 28
2KL030		27, 28
9AA029		29, 30, 31, 32, 33, 34, 35, 36, 37, 38, 39
9AA048		27, 28
9AA090		29, 30, 31, 32, 33, 34, 35, 36, 37, 38, 39
9AA091		27, 28

**MAN**

Dinex no.	OE no.	Page
47034	51.15408.0003	41, 42, 43
47034	51.15408.0016	41, 42, 43

Dinex no.	OE no.	Page
47041	51.27421.0293	44, 45, 46
47041	51.27421.0310	44, 45, 46
47042	51.27421.0311	41, 42, 43
47042	51.27421.0294	41, 42, 43
49939	06.67434.9144	45, 46
68835	06.67434.6131	44, 45, 46
68835	81.97420.0190	44, 45, 46
98400	81.15204.5486	42, 43
98400	81.15204.6016	42, 43
99700	81.97450.0034	41, 42
99724	81.97420.0186	45, 46
4IA000	81.15210.5012	44,45, 46
4IA000	81.15210.5016	44,45, 46
4IA000	81.15210.5014	44,45, 46
4IA003	81.15201.5793	41, 42, 43
4IA010	81.15205.5460	41
4IA010	81.15201.0388	41
4IA010	81.15201.0436	41
4IA019	81.15201.0387	42
4IA019	81.15201.0247	42
4IA020	81.15201.0255	43
4IA020	81.15201.0268	43
4IC000	81.15103.6109	44
4IC000	81.15103.6115	44
4IC000	81.15103.6125	44
4IC006	81.15103.6122	45, 46
4IC006	81.15103.6128	45, 46
4IC006	81.15103.6114	45, 46
4IC012	81.15101.6047	41, 42, 43
4IC012	81.15101.6041	41, 42, 43
4IC012	81.15101.6043	41, 42, 43
4IE001	81.15201.0295	44,45, 46
4IE015	81.15205.5431	46
4IE015	81.15205.5435	46
4IE016	81.15201.0319	42
4IE016	81.15201.0431	42
4IE016	81.15201.0440	42
4IE017	81.15205.5440	45
4IG005	81.15205.5427	45, 46
4IG006	81.15201.0341	42
4IG006	81.15201.0432	42



Dinex no.	OE no.	Page
4IG006	81.15201.0441	42
4IG007	81.15205.5428	45, 46
4IG007	81.15205.2128	45, 46
4IG008	U1.15201.0015	43
4IG009	81.15201.0434	41
4IG010	81.15201.0377	41
4II001	81.15103.0107	44, 45
4II001	81.15103.9107	44, 45
4II001	81.15103.0128	44, 45
4II001-RX		44, 45
4II003	81.15103.0113	41, 42, 43
4II003-RX		41, 42, 43
4IJ002		44, 45, 46
4IJ004		41, 42, 43
4IL002	81.15901.0042	44, 45, 46
4IL003	81.15901.0043	44, 45, 46
4IL004	81.97420.0184	44, 45, 46
4IL005	81.15901.0044	44, 45, 46
4IL006	81.97420.0185	44, 45, 46
4IL011	06.67431.8105	41, 42, 43
4IL011	06.67431.4105	41, 42, 43
4IL012	81.15901.0041	41, 42, 43
4IL014	81.15901.0046	41, 42, 43
4IL017	06.67431.4125	41, 42, 43
4IL018	51.15408.0011	44, 45, 46
4IL018	51.15408.0018	44, 45, 46
4IL021	06.67431.4282	41, 42, 43
4IL025	81.15901.0045	41, 42, 43
4IL029	81.97450.0034	43
9AA032		44, 45, 46
9AA051		41, 42, 43
9AA092		44, 45, 46
9AA093		41, 42, 43

## MERCEDES

Dinex no.	OE no.	Page
35822	680.995.0202	48, 50
50902	000.491.1580	49, 51, 52, 53, 54, 55
51026	010.153.1628	55

Dinex no.	OE no.	Page
51028	010.153.1528	49
51029	010.153.1728	52, 53, 54
51031	008.153.9828	48, 49, 50, 51, 52, 53, 54
51031	010.153.1628	48, 49, 50, 51, 52, 53, 54
51032	010.153.9528	48, 50, 51
51032	009.153.9528	48, 50, 51
51035	008.153.9928	48, 50
51035	010.153.9428	48, 50
51036	010.153.1428	52, 53, 54, 55
51044	010.542.9418	48, 49, 50, 51, 52
51045	010.542.9518	48, 49, 50, 51, 52
51046	007.542.4518	53, 54, 55
51047	007.542.4818	53, 54, 55
51048	010.542.3518	53, 54, 55
51049	007.542.4618	53, 54, 55
56132	960.490.6119	52
56132	960.490.0720	52
56132	960.490.1320	52
56133	960.490.6319	51
56133	960.490.0820	51
56133	960.490.1220	51
5AA008	960.490.4450	54
5AA008	960.490.2810	54
5AA008	960.490.1450	54
5AA016	967.490.6619	48
5AA016	967.490.2119	48
5AA031	960.490.3647	53
5AA033	960.490.4919	49
5AA033	960.490.8920	49
5AA034	960.490.8820	50
5AA034	960.490.5019	50
5AA041	960.490.4547	55
5AC003	007.490.1412	49
5AC003	007.490.1512	49
5AC003	007.490.0212	49
5AC015	009.490.9212	51
5AC015	005.490.3512	51
5AC015	006.490.8512	51
5AC018	005.490.6912	48, 50
5AC018	006.490.5612	48, 50
5AC019	008.490.1912	53, 55

Dinex no.	OE no.	Page
5AC020	007.490.8512	52
5AC021	007.490.8212	54
5AC021	008.490.1012	54
5AG009	000.492.1514	49, 50, 51, 52, 53, 54, 55
5AG009	000.492.1614	49, 50, 51, 52, 53, 54, 55
5AI001	001.490.3092	48, 50
5AI001-RX		48, 50
5AI005	001.490.7092	49, 51, 52, 53, 54, 55
5AI005	001.490.8392	49, 51, 52, 53, 54, 55
5AI005	001.490.5292	49, 51, 52, 53, 54, 55
5AI005-RX		49, 51, 52, 53, 54, 55
5AL001	001.995.4544	48, 50
5AL003	000.995.3933	49, 51, 52, 53, 54, 55
5AL003	000.995.1833	49, 51, 52, 53, 54, 55
5AL004	001.995.5744	49, 51, 52, 53, 54, 55
5AL004	001.995.4444	49, 51, 52, 53, 54, 55
5AL005	000.491.1380	48, 50
5AL009	000.492.1480	49, 50, 51, 52, 53, 54, 55
5AL009	000.492.0380	49, 50, 51, 52, 53, 54, 55
5AL011	001.995.0702	53
5AL012	003.995.0902	48
5AL012	002.995.2002	48, 49
5AL020	001.995.9102	48
5AL022	629.493.0280	49, 50
5AL023	001.995.8402	49, 50
5AL023	001.995.9202	49, 50
5AL024	002.995.2202	51, 52, 54, 55
5AL024	003.995.5702	51, 52, 54, 55
5AL028	002.995.2302	51, 52, 53, 54, 55
5AL028	003.995.0702	51, 52, 53, 54, 55
5AL029		48, 50
5AL031		49, 51, 52, 53, 54
9AA035		49, 50, 51, 52, 53, 54, 55
9AA054		48
9AA094		48
9AA095		49, 50, 51, 52, 53, 54, 55

## RENAULT

Dinex no.	OE no.	Page
78843		61, 62
80910	7421211715	58, 59, 60
80910	7421472836	58, 59, 60
80921	7401629499	61, 62
80921	7421719872	61, 62
81030	7421984358	57, 58, 59, 60, 61, 62
81030	7485133215	57, 58, 59, 60, 61, 62
81030	7422219283	57, 58, 59, 60, 61, 62
81032	7422315988	58, 59, 60, 61, 62
81032	7422219281	58, 59, 60, 61, 62
81032	7421531797	58, 59, 60, 61, 62
81049	7422035664	61, 62
81049	7421285163	58, 59, 60, 61, 62
81050	7421542714	57, 58, 59, 60
82266	7423114935	61, 62
82266	7423279253	61, 62
82266	7421743349	61, 62
82812	7420961913	62
99115	5010173403	58
99115	5010317399	58
99630	5010626719	60
99630	7420743152	60
6GC000	7421364817	61
6GC000	7421478417	61
6GC002	7421364836	62
6GC003	7421521095	62
6GC005	7421750116	58
6GC005	7421750118	58, 60
6GC005	7421750123	58, 60
8AA003	7421808493	59, 60
8AA003	7422686393	59, 60
8AA005	7421808495	57, 58
8AA005	7422068708	57, 58
8AA005	7422861187	57, 58
8AC003	7421750067	57, 59
8AC003	7421750074	57, 59
8AE005	7421990339	60
8AE006	7421990563	60
8AE012	7421709689	62

Dinex no.	OE no.	Page
8AE013	7421557160	62
8AE018	7421978768	58
8AE020	7421978925	58
8AE048	7422205240	62
8AE048	7422968313	62
8AE048	7421617041	62
8AG000	7421808286	61
8AG005	7421897071	59
8AG007	7421990566	60
8AG018	7421920109	57
8AG019	7421978777	58
8AG028	7422189079	62
8AI001	7421750157	57, 58, 59
8AI001	7485013250	57, 58, 59
8AI001	7423138863	57, 58, 59
8AI001	7421794709	57, 58, 59
8AI001-RX		57, 58, 59
8AI002	7421716416	61, 62
8AI002	7421716414	61, 62
8AI002	7423135543	61, 62
8AI002-RX		61, 62
8AL000	7422907382	61, 62
8AL001	7421758870	57, 58, 59, 60, 61
8AL005	7421570880	61, 62
8AL006	7421445539	61, 62
8AL012	7421758872	57, 58
8AL013	7421664918	57, 58, 59, 60
8AL014	7421664904	57, 58, 59, 60
8AL015	7421664906	57, 58, 59, 60
8AL016	7421445536	61, 62
8AL030		57, 58, 59, 60
8AL031		61, 62
9AA024		61, 62
9AA057		57, 58, 59, 60
9AA098		57, 58, 59, 60
9AA099		61, 62

SCANIA		
Dinex no.	OE no.	Page
67031	2294290	64, 65, 66, 67, 68, 69, 70
67031	2296800	64, 65, 66, 67, 68, 69, 70
67032	2294290	64, 65, 66, 67, 68, 69, 70
67032	2294291	64, 65, 66, 67, 68, 69, 70
67041	2301360	68, 69
67042	2301359	64, 65, 66, 67, 70
67200	2139676	65, 66, 67
67200	2107951	65, 66, 67
68401	1821889	68
68403	1821888	64, 66
68403	2072842	64, 66
68725	1862538	67
68741	1727567	70
68742	1727568	70
68835	1387136	64, 65, 66, 67, 68, 70
68835	1371089	64, 65, 66, 67, 68, 70
68858	1431579	64, 65, 68, 69, 70
68858	1863832	64, 65, 68, 69, 70
99925		70
6LA003	2442567	68, 69
6LA003	1828004	68, 69
6LA004	2198111	64
6LA004	2064794	64
6LA007	2104561	70
6LC004	2562345	70
6LC004	2184873	70
6LC005	2483455	64
6LC005	2248584	64
6LC005	2164453	64
6LC005	2248583	64
6LC013	2483457	65
6LC013	2248582	65
6LC014	2154776	66
6LC014	2121376	66
6LC015	2442151	68, 69
6LC015	2159886	68, 69
6LC016	2467830	67
6LC016	2483456	67
6LC017	2330524	70

Dinex no.	OE no.	Page
6LC017	2352102	70
6LE000	2273842	68
6LE001	1933649	64, 66, 67
6LE001	2273843	64, 66, 67
6LE001	212525	64, 66, 67
6LE007	1924401	70
6LE007	2308391	70
6LE007	2134978	70
6LG002	2233399	65, 66, 69
6LG002	2122565	65, 66, 69
6LG002	2071120	65, 66, 69
6LG003	2115015	65, 66
6LG003	2517117	65, 66
6LG003	2070666	65, 66
6LI000	2097594	64, 65, 66, 67, 70
6LI000	2575576	64, 65, 66, 67, 70
6LI000	2179961	64, 65, 66, 67, 70
6LI000-RX		64, 65, 66, 67, 70
6LI001	2446964	68, 69
6LI001	2222655	68, 69
6LI001	2137598	68, 69
6LI001-RX		68, 69
6LI002	2137587	68, 69
6LI002	570749	68, 69
6LI006	2411989	64, 65, 66, 67, 70
6LI006	2346379	64, 65, 66, 67, 70
6LI006	2362337	64, 65, 66, 67, 70
6LL000	2137233	68, 69
6LL001	2137328	68, 69
6LL002	2137231	68, 69
6LL003	2137236	68, 69
6LL004	2137360	68, 69
6LL005	2097660	64, 65, 66, 67, 70
6LL006	2097659	64, 65, 66, 67, 70
6LL008		64, 65, 66, 67, 70
6LL016		64, 65, 66, 67, 70
6LL017		68, 69
9AA096		64, 65, 66, 67, 70
9AA097		68, 69

VOLVO		
Dinex no.	OE no.	Page
78843		75, 76, 77
80910	9522798	73, 75, 76, 77
80910	21472836	73
80921	1629499	75, 76, 77
80921	21719872	75, 76, 77
80924	1628246	75
80924	20743127	75
81030	21531794	72, 73, 74, 75, 76, 77
81030	21387788	72, 73, 74, 75, 76, 77
81030	20751663	72, 73, 74, 75, 76, 77
81032	21474015	72, 73, 74, 75, 76, 77
81032	22219281	72, 73, 74, 75, 76, 77
81032	22315988	72, 73, 74, 75, 76, 77
81049	21285163	72, 73, 74, 75, 76, 77
82266	22101241	75, 76, 77
82266	22327400	75, 76, 77
82266	22919602	75, 76, 77
82812	20961913	77
99120	20760074	74
8AA003	21808493	73
8AA005	21808495	72
8AA005	22068708	72
8AA006	21808494	74
8AC000	21364822	75, 76
8AC000	21582824	75, 76
8AC000	85013382	75, 76
8AC007	21858894	75
8AC010	21750081	72, 73,
8AC010	85022437	72, 73,
8AC021	21750127	74
8AC021	85028439	74
8AC021	21750129	74
8AC022	21521100	77
8AC023	21427939	77
8AE000	21456672	75
8AE000	21489253	75
8AE000	21489251	75
8AE002	21489247	75
8AE002	21489249	75

Dinex no.	OE no.	Page
8AE012	21709689	77
8AE013	21557160	77
8AE018	21978768	74
8AE019	22629880	74
8AE019	22629430	74
8AE048	21617041	77
8AE048	22205240	77
8AE048	22968313	77
8AG000	21808286	76
8AG005	21897071	73
8AG019	21978777	74
8AG020	21895472	72
8AG020	22074786	72
8AG028	22189079	77
8AG028	21950294	77
8AI001	21794709	72, 73, 74
8AI001	21750157	72, 73, 74
8AI001	21922979	72, 73, 74
8AI001	23037748	72, 73, 74
8AI001		72, 73, 74
8AI001-RX		72, 73, 74
8AI002	21716414	77
8AI002-RX		77
8AI004	21716417	75, 76
8AI004-RX		75, 76
8AL001	21758870	72, 73, 74, 75, 76
8AL003	22907383	75
8AL005		75, 76, 77
8AL006		75, 76, 77
8AL012	60110458	72, 74
8AL013	21664918	72, 73, 74
8AL014	21664904	72, 73, 74
8AL015	21664906	72, 73, 74
8AL016		75, 76, 77
8AL030		72, 73, 74
8AL031		75, 76, 77
9AA024		75, 76, 77
9AA057		72, 73, 74
9AA098		72, 73, 74
9AA099		75, 76, 77

**DAF**

OE no.	Dinex no.	Page
1296068	99730	23
1701991	99704	22
1702279	99704	22
1704961	2AL013	17, 18, 22
1704962	2AL001	17, 18, 22
1706320	2AE000	17
1706598	2AE000	17
1707467	2AG000	17, 18
1707468	2AL020	17, 18, 20
1708560	2AA003	17, 18, 22
1708562	2AL000	17, 18, 22
1708563	2AD001	17
1708567	2AD005	18
1708979	2AA003	17, 18, 22
1709370	2AG003	22
1709468	2AD007	22
1709703	2AE011	22
1709837	2AE012	22
1709852	2AG002	22
1711731	2AL013	17, 18, 22
1712671	2AE000	17
1712766	2AA003	17, 18, 22
1827320	2AL021	23
1827321	2AL007	23
1836930	2AL006	19, 20, 21
1851853	22042	19, 20, 21, 23, 24
1862931	22035	19, 20, 21, 22, 23, 24, 25
1863283	22043	19, 20, 21, 23, 24, 25
1883362	2AE013	20
1883363	2AE014	20
1883366	2AE002	25
1883368	2AE006	19, 20, 23, 24
1883371	2AE004	21
1883373	2AE016	21

OE no.	Dinex no.	Page
1883375	2AE006	19, 20, 23, 24
1883377	2AE005	21
1891485	2AI000	19, 20, 21, 23, 24, 25
1895549	2AL003	19, 20, 21, 23, 24, 25
1895550	2AL005	19, 20, 21, 23, 24, 25
1900816	2AG001	19, 20, 21, 24, 25
1903901	2AD014	20
1924181	2AD004	19, 24
1924188	2AD006	23
1924189	2AD016	21
1924191	22046	25
1927181	2AI004	19, 20, 21, 23, 24, 25
1928761	22039	17, 18
1933421	2AD004	19, 24
1933422	2AD020	25
1939327	2AE015	23
1940149	2AE008	20
1940702	2AG001	19, 20, 21, 24, 25
1940703	2AG001	19, 20, 21, 24, 25
1940951	2AD003	19, 24
1945456	2AI000	19, 20, 21, 23, 24, 25
1947131	2AD003	19, 24
1947132	2AD019	25
1947136	2AD015	20
1947138	2AD018	23
1947139	2AD017	21
1951177	2AE001	25
1954912	2AA006	20, 23, 24
1954914	2AA004	19, 21, 25
1961522	2AI003	17, 22
1971903	22045	17, 18, 22
1971911	22044	17, 18, 22
1971946	22038	17, 18
1972009	2AA004	19, 21, 25
1972579	2AG004	23
1976845	2AL022	17, 22

OE no.	Dinex no.	Page
1977517	2AL006	20
1980139	2AE001	25
1980467	2AL002	19, 20, 21, 23, 24, 25
1980468	2AL004	19, 20, 21, 23, 24, 25
1997433	1JJ001	18
1997442	2AL017	18
1997980	2AL002	19, 20, 21, 23, 24, 25
1997981	2AL004	19, 20, 21, 23, 24, 25
2015357	2AE016	21
2036204	2AE005	21
2037072	2AE001	25
2040451	22029	22
2121610	2AE006	19, 20, 23, 24
2137422	1JJ001	18
2139930	22035	19, 20, 21, 22, 23, 24, 25
2137441R	2AI000	19, 20, 21, 23, 24, 25
	2AL008	19, 20, 21, 23, 24, 25
	2AL009	19, 20, 21, 23, 24, 25
	2AL010	19, 20, 21, 23, 24, 25
	2AL011	19, 20, 21, 23, 24, 25
	2AL012	19, 20, 21, 23, 24, 25
	2AL018	18
	2AL019	18
	6LL011	17, 22
	6LL012	17, 22
	9AA026	19, 20, 21, 23, 24, 25
	9AA045	17, 18, 22
	9AA087	19, 20, 21, 23, 24, 25
	9AA088	17, 18, 22

## IVECO

OE no.	Dinex no.	Page
41288279	2KL001	29, 30, 31, 32, 33, 34, 35, 36, 37, 38, 39
500339542	70819	27, 28
503123055	2KG001	29, 30, 31, 32, 34, 35, 36, 37, 39
504102603	29043	29, 30, 31, 32, 33, 34, 35, 36, 37, 38, 39

OE no.	Dinex no.	Page
5801292786	2KA000	38, 39
5801306798	2KG002	38
5801328830	2KA007	30
5801348063	2KA009	29
5801362770	2KA001	33, 34
5801364513	2KA006	35
5801385138	2KA021	27
5801391038	2KC008	28
5801391046	2KC010	27
5801395668	2KG000	33
5801419950	2KC016	35
5801429215	2KC001	29, 30, 33
5801429216	2KC000	38
5801429373	29031	29, 30, 31, 32, 33, 34, 35, 36, 37, 38, 39
5801436372	2KA003	31
5801447611	2KA020	27
5801447672	2KA018	28
5801448219	2KC005	34, 39
5801455940	29043	29, 30, 31, 32, 33, 34, 35, 36, 37, 38, 39
5801455941	29042	27, 28, 29, 30, 31, 32, 33, 34, 35, 36, 37, 38, 39
5801475667	2KG013	27, 28
5801478451	2KL018	27, 28
5801491218	29806	29, 30, 31, 32, 33, 34, 35, 36, 37, 38, 39
5801491218	2KL002	29, 30, 31, 32, 33, 34, 35, 36, 37, 38, 39
5801522920	2KA019	28
5801627702	29031	29, 30, 31, 32, 33, 34, 35, 36, 37, 38, 39
5801627703	29032	27, 28, 29, 30, 31, 32, 33, 34, 35, 36, 37, 38, 39
5801651134	2KJ000	29, 30, 31, 32, 33, 34, 35, 36, 37, 38, 39
5801651186	2KI000	38
5801651187	2KI002	29, 30, 33
5801651188	2KI010	34, 35, 37, 39
5801651206	2KL017	27, 28
5801651207	2KI014	28
5801651208	2KI015	27
5801680759	70819	27, 28
5801732665	29047	27, 28

OE no.	Dinex no.	Page
5801754014	29032	27, 28, 29, 30, 31, 32, 33, 34, 35, 36, 37, 38, 39
5801766442	2KA007	30
5801908973	29045	27, 28
5801922815	29046	27, 28
5801927869	2KC017	37
5801927875	2KC002	31, 36
5801990172	2KA001	33, 34
5801992211	2KA000	38, 39
5802000969	2KA006	35
5802001101	2KA003	31
5802002830	2KA038	36, 37
5802039924	2KI010	34, 35, 37, 39
5802039929	2KI002	29, 33
5802039934	2KI000	38
5802041633	2KI018	32, 36
5802041639	2KI004	31
5802045132	2KI014	28
5802045133	2KI015	27
5802259328	2KC018	32
5802290342	2KA039	32
	99489	27, 28
	2KL014	29, 30, 31, 32, 33, 34, 35, 36, 37, 38, 39
	2KL015	29, 30, 31, 32, 33, 34, 35, 36, 37, 38, 39
	2KL016	29, 30, 31, 32, 33, 34, 35, 36, 37, 38, 39
	2KL028	27, 28
	2KL029	27, 28
	2KL030	27, 28
	9AA029	29, 30, 31, 32, 33, 34, 35, 36, 37, 38, 39
	9AA048	27, 28
	9AA090	29, 30, 31, 32, 33, 34, 35, 36, 37, 38, 39
	9AA091	27, 28

**MAN**

OE no.	Dinex no.	Page
06.67431.4105	4IL011	41, 42, 43
06.67431.4125	4IL017	41, 42, 43

OE no.	Dinex no.	Page
06.67431.4282	4IL021	41, 42, 43
06.67431.8105	4IL011	41, 42, 43
06.67434.6131	68835	44, 45, 46
06.67434.9144	49939	45, 46
51.15408.0003	47034	41, 42, 43
51.15408.0011	4IL018	44, 45, 46
51.15408.0016	47034	41, 42, 43
51.15408.0018	4IL018	44, 45, 46
51.27421.0293	47041	44, 45, 46
51.27421.0294	47042	41, 42, 43
51.27421.0310	47041	44, 45, 46
51.27421.0311	47042	41, 42, 43
81.15101.6041	4IC012	41, 42, 43
81.15101.6043	4IC012	41, 42, 43
81.15101.6047	4IC012	41, 42, 43
81.15103.0107	4II001	44, 45
81.15103.0113	4II003	41, 42, 43
81.15103.0128	4II001	44, 45
81.15103.6109	4IC000	44
81.15103.6114	4IC006	45, 46
81.15103.6115	4IC000	44
81.15103.6122	4IC006	45, 46
81.15103.6125	4IC000	44
81.15103.6128	4IC006	45, 46
81.15103.9107	4II001	44, 45
81.15201.0247	4IA019	42
81.15201.0255	4IA020	43
81.15201.0268	4IA020	43
81.15201.0295	4IE001	44, 45, 46
81.15201.0319	4IE016	42
81.15201.0341	4IG006	42
81.15201.0377	4IG010	41
81.15201.0387	4IA019	42
81.15201.0388	4IA010	41
81.15201.0431	4IE016	42
81.15201.0432	4IG006	42
81.15201.0434	4IG009	41
81.15201.0436	4IA010	41
81.15201.0440	4IE016	42
81.15201.0441	4IG006	42
81.15201.5793	4IA003	41, 42, 43



OE no.	Dinex no.	Page
81.15204.5486	98400	42, 43
81.15204.6016	98400	42, 43
81.15205.2128	4IG007	45, 46
81.15205.5427	4IG005	45, 46
81.15205.5428	4IG007	45, 46
81.15205.5431	4IE015	46
81.15205.5435	4IE015	46
81.15205.5440	4IE017	45
81.15205.5460	4IA010	41
81.15210.5012	4IA000	44,45, 46
81.15210.5014	4IA000	44,45, 46
81.15210.5016	4IA000	44,45, 46
81.15901.0041	4IL012	41, 42, 43
81.15901.0042	4IL002	44, 45, 46
81.15901.0043	4IL003	44, 45, 46
81.15901.0044	4IL005	44, 45, 46
81.15901.0045	4IL025	41, 42, 43
81.15901.0046	4IL014	41, 42, 43
81.97420.0184	4IL004	44, 45, 46
81.97420.0185	4IL006	44, 45, 46
81.97420.0186	99724	45, 46
81.97420.0190	68835	44, 45, 46
81.97450.0034	99700	41, 42
81.97450.0034	4IL029	43
U1.15201.0015	4IG008	43
	4II001-RX	44, 45
	4II003-RX	41, 42, 43
	4IJ002	44, 45, 46
	4IJ004	41, 42, 43
	9AA032	44, 45, 46
	9AA051	41, 42, 43
	9AA092	44, 45, 46
	9AA093	41, 42, 43

## MERCEDES

OE no.	Dinex no.	Page
000.491.1380	5AL005	48, 50
000.491.1580	50902	49, 51, 52, 53, 54, 55
000.492.0380	5AL009	49, 50, 51, 52, 53, 54, 55

OE no.	Dinex no.	Page
000.492.1480	5AL009	49, 50, 51, 52, 53, 54, 55
000.492.1514	5AG009	49, 50, 51, 52, 53, 54, 55
000.492.1614	5AG009	49, 50, 51, 52, 53, 54, 55
000.995.1833	5AL003	49, 51, 52, 53, 54, 55
000.995.3933	5AL003	49, 51, 52, 53, 54, 55
001.490.3092	5AI001	48, 50
001.490.5292	5AI005	49, 51, 52, 53, 54, 55
001.490.7092	5AI005	49, 51, 52, 53, 54, 55
001.490.8392	5AI005	49, 51, 52, 53, 54, 55
001.995.0702	5AL011	53
001.995.4444	5AL004	49, 51, 52, 53, 54, 55
001.995.4544	5AL001	48, 50
001.995.5744	5AL004	49, 51, 52, 53, 54, 55
001.995.8402	5AL023	49, 50
001.995.9102	5AL020	48
001.995.9202	5AL023	49, 50
002.995.2002	5AL012	48, 49
002.995.2202	5AL024	51, 52, 54, 55
002.995.2302	5AL028	51, 52, 53, 54, 55
003.995.0702	5AL028	51, 52, 53, 54, 55
003.995.0902	5AL012	48
003.995.5702	5AL024	51, 52, 54, 55
005.490.3512	5AC015	51
005.490.6912	5AC018	48, 50
006.490.5612	5AC018	48, 50
006.490.8512	5AC015	51
007.490.0212	5AC003	49
007.490.1412	5AC003	49
007.490.1512	5AC003	49
007.490.8212	5AC021	54
007.490.8512	5AC020	52
007.542.4518	51046	53, 54, 55
007.542.4618	51049	53, 54, 55
007.542.4818	51047	53, 54, 55
008.153.9828	51031	48, 49, 50, 51, 52, 53, 54
008.153.9928	51035	48, 50
008.490.1012	5AC021	54
008.490.1912	5AC019	53, 55
009.153.9528	51032	48, 50, 51
009.490.9212	5AC015	51
010.153.1428	51036	52, 53, 54, 55

OE no.	Dinex no.	Page
010.153.1528	51028	49
010.153.1628	51026	55
010.153.1628	51031	48, 49, 50, 51, 52, 53, 54
010.153.1728	51029	52, 53, 54
010.153.9428	51035	48, 50
010.153.9528	51032	48, 50, 51
010.542.3518	51048	53, 54, 55
010.542.9418	51044	48, 49, 50, 51, 52
010.542.9518	51045	48, 49, 50, 51, 52
629.493.0280	5AL022	49, 50
680.995.0202	35822	48, 50
960.490.0720	56132	52
960.490.0820	56133	51
960.490.1220	56133	51
960.490.1320	56132	52
960.490.1450	5AA008	54
960.490.2810	5AA008	54
960.490.3647	5AA031	53
960.490.4450	5AA008	54
960.490.4547	5AA041	55
960.490.4919	5AA033	49
960.490.5019	5AA034	50
960.490.6119	56132	52
960.490.6319	56133	51
960.490.8820	5AA034	50
960.490.8920	5AA033	49
967.490.2119	5AA016	48
967.490.6619	5AA016	48
	5AI001-RX	48, 50
	5AI005-RX	49, 51, 52, 53, 54, 55
	5AL029	48, 50
	5AL031	49, 51, 52, 53, 54
	9AA035	49, 50, 51, 52, 53, 54, 55
	9AA054	48
	9AA094	48
	9AA095	49, 50, 51, 52, 53, 54, 55

## RENAULT

OE no.	Dinex no.	Page
5010173403	99115	58
5010317399	99115	58
5010626719	99630	60
7401629499	80921	61, 62
7420743152	99630	60
7420961913	82812	62
7421211715	80910	58, 59, 60
7421285163	81049	58, 59, 60, 61, 62
7421364817	6GC000	61
7421364836	6GC002	62
7421445536	8AL016	61, 62
7421445539	8AL006	61, 62
7421472836	80910	58, 59, 60
7421478417	6GC000	61
7421521095	6GC003	62
7421531797	81032	58, 59, 60, 61, 62
7421542714	81050	57, 58, 59, 60
7421557160	8AE013	62
7421570880	8AL005	61, 62
7421617041	8AE048	62
7421664904	8AL014	57, 58, 59, 60
7421664906	8AL015	57, 58, 59, 60
7421664918	8AL013	57, 58, 59, 60
7421709689	8AE012	62
7421716414	8AI002	61, 62
7421716416	8AI002	61, 62
7421719872	80921	61, 62
7421743349	82266	61, 62
7421750067	8AC003	57, 59
7421750074	8AC003	57, 59
7421750116	6GC005	58
7421750118	6GC005	58, 60
7421750123	6GC005	58, 60
7421750157	8AI001	57, 58, 59
7421758870	8AL001	57, 58, 59, 60, 61
7421758872	8AL012	57, 58
7421794709	8AI001	57, 58, 59
7421808286	8AG000	61
7421808493	8AA003	59, 60

OE no.	Dinex no.	Page
7421808495	8AA005	57, 58
7421897071	8AG005	59
7421920109	8AG018	57
7421978768	8AE018	58
7421978777	8AG019	58
7421978925	8AE020	58
7421984358	81030	57, 58, 59, 60, 61, 62
7421990339	8AE005	60
7421990563	8AE006	60
7421990566	8AG007	60
7422035664	81049	61, 62
7422068708	8AA005	57, 58
7422189079	8AG028	62
7422205240	8AE048	62
7422219281	81032	58, 59, 60, 61, 62
7422219283	81030	57, 58, 59, 60, 61, 62
7422315988	81032	58, 59, 60, 61, 62
7422686393	8AA003	59, 60
7422861187	8AA005	57, 58
7422907382	8AL000	61, 62
7422968313	8AE048	62
7423114935	82266	61, 62
7423135543	8AI002	61, 62
7423138863	8AI001	57, 58, 59
7423279253	82266	61, 62
7485013250	8AI001	57, 58, 59
7485133215	81030	57, 58, 59, 60, 61, 62
	78843	61, 62
	8AI001-RX	57, 58, 59
	8AI002-RX	61, 62
	8AL030	57, 58, 59, 60
	8AL031	61, 62
	9AA024	61, 62
	9AA057	57, 58, 59, 60
	9AA098	57, 58, 59, 60
	9AA099	61, 62

SCANIA		
OE no.	Dinex no.	Page
212525	6LE001	64, 66, 67
570749	6LI002	68, 69
1371089	68835	64, 65, 66, 67, 68, 70
1387136	68835	64, 65, 66, 67, 68, 70
1431579	68858	64, 65, 68, 69, 70
1727567	68741	70
1727568	68742	70
1821888	68403	64, 66
1821889	68401	68
1828004	6LA003	68, 69
1862538	68725	67
1863832	68858	64, 65, 68, 69, 70
1924401	6LE007	70
1933649	6LE001	64, 66, 67
2064794	6LA004	64
2070666	6LG003	65, 66
2071120	6LG002	65, 66, 69
2072842	68403	64, 66
2097594	6LI000	64, 65, 66, 67, 70
2097659	6LL006	64, 65, 66, 67, 70
2097660	6LL005	64, 65, 66, 67, 70
2104561	6LA007	70
2107951	67200	65, 66, 67
2115015	6LG003	65, 66
2121376	6LC014	66
2122565	6LG002	65, 66, 69
2134978	6LE007	70
2137231	6LL002	68, 69
2137233	6LL000	68, 69
2137236	6LL003	68, 69
2137328	6LL001	68, 69
2137360	6LL004	68, 69
2137587	6LI002	68, 69
2137598	6LI001	68, 69
2139676	67200	65, 66, 67
2154776	6LC014	66
2159886	6LC015	68, 69
2164453	6LC005	64
2179961	6LI000	64, 65, 66, 67, 70

OE no.	Dinex no.	Page
2184873	6LC004	70
2198111	6LA004	64
2222655	6LI001	68, 69
2233399	6LG002	65, 66, 69
2248582	6LC013	65
2248583	6LC005	64
2248584	6LC005	64
2273842	6LE000	68
2273843	6LE001	64, 66, 67
2294290	67031	64, 65, 66, 67, 68, 69, 70
2294290	67032	64, 65, 66, 67, 68, 69, 70
2294291	67032	64, 65, 66, 67, 68, 69, 70
2296800	67031	64, 65, 66, 67, 68, 69, 70
2301359	67042	64, 65, 66, 67, 70
2301360	67041	68, 69
2308391	6LE007	70
2330524	6LC017	70
2346379	6LI006	64, 65, 66, 67, 70
2352102	6LC017	70
2362337	6LI006	64, 65, 66, 67, 70
2411989	6LI006	64, 65, 66, 67, 70
2442151	6LC015	68, 69
2442567	6LA003	68, 69
2446964	6LI001	68, 69
2467830	6LC016	67
2483455	6LC005	64
2483456	6LC016	67
2483457	6LC013	65
2517117	6LG003	65, 66
2562345	6LC004	70
2575576	6LI000	64, 65, 66, 67, 70
	99925	70
	6LI000-RX	64, 65, 66, 67, 70
	6LI001-RX	68, 69
	6LL008	64, 65, 66, 67, 70
	6LL016	64, 65, 66, 67, 70
	6LL017	68, 69
	9AA096	64, 65, 66, 67, 70
	9AA097	68, 69

## VOLVO

OE no.	Dinex no.	Page
1628246	80924	75
1629499	80921	75, 76, 77
9522798	80910	73, 75, 76, 77
20743127	80924	75
20751663	81030	72, 73, 74, 75, 76, 77
20760074	99120	74
20961913	82812	77
21285163	81049	72, 73, 74, 75, 76, 77
21364822	8AC000	75, 76
21387788	81030	72, 73, 74, 75, 76, 77
21427939	8AC023	77
21456672	8AE000	75
21472836	80910	73
21474015	81032	72, 73, 74, 75, 76, 77
21489247	8AE002	75
21489249	8AE002	75
21489251	8AE000	75
21489253	8AE000	75
21521100	8AC022	77
21531794	81030	72, 73, 74, 75, 76, 77
21557160	8AE013	77
21582824	8AC000	75, 76
21617041	8AE048	77
21664904	8AL014	72, 73, 74
21664906	8AL015	72, 73, 74
21664918	8AL013	72, 73, 74
21709689	8AE012	77
21716414	8AI002	77
21716417	8AI004	75, 76
21719872	80921	75, 76, 77
21750081	8AC010	72, 73,
21750127	8AC021	74
21750129	8AC021	74
21750157	8AI001	72, 73, 74
21758870	8AL001	72, 73, 74, 75, 76
21794709	8AI001	72, 73, 74
21808286	8AG000	76
21808493	8AA003	73
21808494	8AA006	74

OE no.	Dinex no.	Page
21808495	8AA005	72
21858894	8AC007	75
21895472	8AG020	72
21897071	8AG005	73
21922979	8AI001	72, 73, 74
21950294	8AG028	77
21978768	8AE018	74
21978777	8AG019	74
22068708	8AA005	72
22074786	8AG020	72
22101241	82266	75, 76, 77
22189079	8AG028	77
22205240	8AE048	77
22219281	81032	72, 73, 74, 75, 76, 77
22315988	81032	72, 73, 74, 75, 76, 77
22327400	82266	75, 76, 77
22629430	8AE019	74
22629880	8AE019	74
22907383	8AL003	75
22919602	82266	75, 76, 77
22968313	8AE048	77
23037748	8AI001	72, 73, 74
60110458	8AL012	72, 74
85013382	8AC000	75, 76
85022437	8AC010	72, 73,
85028439	8AC021	74
	78843	75, 76, 77
	8AI001	72, 73, 74
	8AI001-RX	72, 73, 74
	8AI002-RX	77
	8AI004-RX	75, 76
	8AL005	75, 76, 77
	8AL006	75, 76, 77
	8AL016	75, 76, 77
	8AL030	72, 73, 74
	8AL031	75, 76, 77
	9AA024	75, 76, 77
	9AA057	72, 73, 74
	9AA098	72, 73, 74
	9AA099	75, 76, 77

# Direct replacement parts



Dinex offers a wide range of direct replacement aftertreatment spare parts for Euro 6 silencers. In our portfolio we have type approved new and recon DPFs as well as some replaceable DOCs. All our DPFs come with all associated clamps and gaskets for easy installation and fitment.



# Built-in parts



With every new Euro emission standard, exhaust systems have transformed from a simple noise reduction device to a complicated aftertreatment system. Not only the involved technology, but the cost of the exhaust system has grown as well. Taking in account the high cost for a complete Euro 6 system, we are seeing a high interest of ATS repairs. In Euro 6 systems, DPF and in some cases even the DOC is designed to be replaceable. All these products you can get from Dinex. Aside from that, Dinex also offers all the other replacement parts when complimented with the support of professionals, you can refresh your ATS. This is a very complicated task, where you need to let the professionals do their job and entrust your ATS to specialized workshops.

All Dinex DPF, DOC and SCR are type approved and can be used only in specific applications they are designed for. They cannot be used in applications that are not the original goal of their design.

Dinex does not take the responsibility if you are affected by patent rights during silencer repair and selling under your own brand.





# Quality from Turbo to Tailpipe

## Emission Technologies

Diesel Particulate Filters (DPFs), Diesel Oxidation Catalysts (DOCs), Ammonia Slip Catalysts (ASC) and Selective Catalyst Reduction (SCRs) for exact OE replacement.

## Insulation Techniques

Keeping heat where it should be. Hot inside and cool outside.

## Flex Pipes & Bellows

Dinex offers our well-known 3S Flex pipe as well as OE grade bellows.

## Clamps

A complete range of low-leakage clamps "tight-fit" / "v-fit".

## Exhaust Fittings

Several different aftertreatment sensor fittings available (NOx fittings, temperature fittings, etc.).

## Quality from Dinex

We believe in our products due to our experienced design teams and strong commitment to the market since 1982 being a global market leader for aftermarket aftertreatment systems for trucks.

The commitment is given in our **3 year warranty**.

Excl. reconditioned DPFs, accessories, electronic equipment and flexible pipes.

## Pipes

Bends from Ø22-152,4 mm in stainless steel.

## Advanced Production

Advanced production techniques ensure our parts work over long distances and times.

We produce our ceramics, coatings, and formed metal in-house to ensure every part going out the door meets our standards.

Dinex employs processes to reduce the number of welds and joints to create longer lasting products.

## Certified and approved

Probably needless to say, but Dinex is certified according to a number of international standards, including:

ISO 9001, ISO 14001, ISO 18001, ISO 50001, IATF 16949.



- Create additional value when you buy Dinex exhaust parts
- Dinex supports our high-quality products with extended warranty

# Dinex Recon RX

## Reconditioned Euro 6 DPF Filters



going the extra mile



## Increasing DPF filter business

With the introduction of Dinex Recon RX - a complete program of reconditioned DPF exchange filters - Dinex is now able to offer our customers new and reconditioned DPF filters for the increasing Euro 6 market.

To match the Euro 6 market requirements all Dinex DPF filters are type approved and only type approved DPF filters will be accepted in the Dinex Recon RX program.



**EASY BOX-BOX  
SOLUTION**



**FAST EXCHANGE  
SERVICE**



**SAFE 3-STEP  
PROCESS**



**STEP-1  
Pneumatic Cleaning**



**STEP-2  
Thermal Cleaning**



**STEP-3  
Recondition**



**FSX  
EQUIPMENT**

Step-1 and -2



Step-3

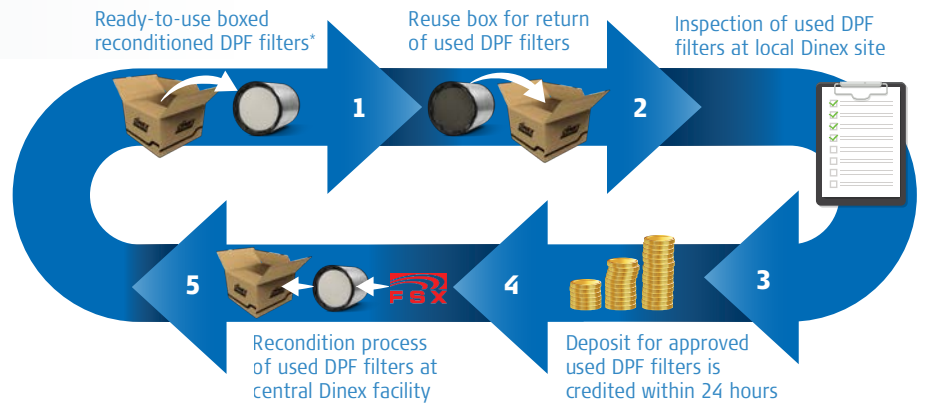
Normal cleaning includes only step-1 and step-2 using pneumatic and thermal cleaning to remove loose ash and to partly remove hardened ash.

The actual reconditioning process is step-3 where chemicals dissolves hardened ash and restores the catalytic performance. For a good as new performance.



# Exchange Flow

The Dinex particle filter kit contains a Recon filter and needed accessories.



\*Clamps and gaskets included

## Choice of DPF filters

	CLEANING	RECON	NEW
Ranking	Low cost	Best Value	High Quality
Price	Lower	Competitive	Higher
Downtime	24-48 hours	Instant	Instant
Availability	24-48 hours	In stock	In stock
Warranty	Non	2 years	3 years
Type approved cores only	No	Yes	Yes
Clamps and gaskets included	No	Yes	Yes
Service Intervals	Shorter	Medium	Longer
Regenerations	Often	Medium	Lower
Fuel Economy	Lower	Medium	Higher
Back pressure	Higher	Medium	Lower

Offering both new and reconditioned DPF filters, Dinex allows customers to choose according to their specific requirements. Whether these are new or reconditioned Dinex DPF filters, our European Dinex distribution set-up is fast and efficient to deliver you a reliable service which is backed by your local Dinex organisation.

The Dinex Recon RX program is the EASY, FAST and SAFE choice for DPF exchange filters.





ALL YOU NEED  
FROM TURBO  
TO TAILPIPE

FOR EURO 6

going the extra mile



## Launch of new and reconditioned (RX) Euro 6 DPF Program

NEW		RECON				
Dinex	Dinex RX	OE reference		Make	Truck	Bus
1JI001	1JI001-RX	662569-2		ADL		Enviro 200
1JI001	1JI001-RX	1997433, 1997433R, 2137422		DAF	LF	
2AI000	2AI000-RX	1891485, 1945456, 2137441R		DAF	XF/CF	
2AI003	2AI003-RX	1961522, 1961522R		DAF	LF	
2AI003	2AI003-RX	2274555		Scania		F, N, K
2KI000	2KI000-RX	5801651186, 5802039934		Iveco	Stralis, Trakker	
2KI002	2KI002-RX	5801651187, 5802039929		Iveco	Stralis, Trakker	
2KI010	2KI010-RX	5801651188, 5802039924		Iveco	Stralis, Trakker	
2KI014	2KI014-RX	5801651207, 5802045132		Iveco	Eurocargo	
2KI015	2KI015-RX	5801651208, 5802045133		Iveco	Eurocargo	
4II001	4II001-RX	81.15103.0107, 81.15103.9107		MAN	TGX, TGS	
4II003	4II003-RX	81.15103.0113		MAN	TGL, TGM	
5AI001	5AI001-RX	001.490.3092		Mercedes	Atego, Actros	
5AI004	5AI004-RX	001.490.2992, 001.490.3692, 001.490.3892		Mercedes	Actros	
5AI005	5AI005-RX	001.490.5292, 001.490.5392, 001.490.7092, 001.490.8392, 001.490.8492, 001.490.8592, 001.490.8692		Mercedes	Actros, Antos	
5AI007	5AI007-RX	001.490.2892, 001.490.2792, 002.490.3892, 002.490.3992, 000.490.5892		Mercedes	Antos/Arocs	
5AI009	5AI009-RX	001.490.4892		Mercedes	Actros/Arocs	
5AI010	5AI010-RX	001.490.6492		Mercedes	Actros	
5AI012	5AI012-RX	002.490.4292, 002.490.2892		Mercedes	Actros/Arocs	
5AI013	5AI013-RX	001.490.6292		Mercedes	Atego	
5AI015	5AI015-RX	001.490.3792		Mercedes	Atego	
6LI000	6LI000-RX	570759, 2097594, 2269640, 2575576, 2179961		Scania	P, G, R, T	F, N, K
6LI001	6LI001-RX	570758, 2137598, 2222655, 2446964		Scania	P, G, R, T	
8AI001	8AI001-RX	21750157, 21794709, 85013698, 85020453, 23037748		Volvo	FE 3, FL 3	B8R 3, B5LH 3, B8L 3
8AI001	8AI001-RX	7421794709, 7421750157, 7485013250, 7423138863		Renault	D/C	
8AI002	8AI002-RX	21716414, 21716416, 22936980, 23108407, 23135528, 23108408		Volvo	FH 4, FM 4	B11R 3
8AI002	8AI002-RX	7421716414, 7421716416, 7423135543, 7421716419		Renault	T/K/C	
8AI004	8AI004-RX	21716417		Volvo	FH 4, FM 4	
8AI004	8AI004-RX	7421716417		Renault	T/K/C	



All Dinex new and reconditioned DPFs include clamps and gaskets



On Recon RX DPF filters



On New DPF filters

# Dinex e-commerce platform

**The Dinex e-commerce platform will increase efficiency and ease the procurement of goods for Dinex' aftermarket customers.**

Dinex – Easy to do business with.

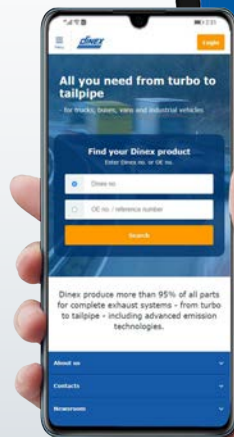


Visit the new Dinex webshop at [dinex.net/webshop](https://dinex.net/webshop) or scan QR code with your smartphone

- Available 24/7/365
- Time saving
- Warehouse status
- Gross-/net prices
- CSV import
- Responsive on ALL devices
- Detailed descriptions and pictures

Please contact your local Dinex office to create an user account.

Dinex.net





For direct replacement  
of OE sensors

## **NOx sensors**

The NOx Sensor ensures accurate Urea dosing and can replace the OE sensor directly.

### **An essential part of modern trucks**

A NOx (nitric oxide) sensor is typically a high-temperature device that measures the level of oxides in exhaust systems, which is strictly regulated by authorities in all parts of the world.

The measurement also helps to optimize engine operation, ensuring proper functioning of the exhaust aftertreatment system.

### **Thoroughly tested**

All NOx Sensor products match OE criteria and are calibrated and controlled at test facilities. Parts available for DAF, Iveco, MAN, Mercedes-Benz, Renault, Scania and Volvo. All products have a 1 year warranty.



**NOx Sensors**  
For direct replacement  
of OE sensors

going the extra mile



Your Partner in Exhaust and Emission

## Our NOx Sensors are:

- Directly replaceable with OE Sensors
- Tested at Dinex Test Center
- Tested and accredited by third party
- A cost effective balance between emission control and Urea consumption
- Stock item for fast delivery
- Easy to install



Go to the Dinex  
webshop for updated  
cross references



Make	Truck	Bus	LCV	Norm	OE no.	Continental ref. no.	Dinex no.
DAF	XF / CF			Euro 6	2236408	-	22026
DAF	XF / CF			Euro 6	2236406	-	22027
DAF	LF / XF			Euro 6	1710806, 4326864	5WK96750C	22028
DAF	XF			Euro 6	2006243, 1936256, 1973525	5WK97344B	22034
DAF	XF			Euro 6	1928760, 1953530, 4326868	5WK96752C	22035
DAF	CF / XF			Euro 6	2006245, 1973527, 1936258, 1932603, 1904788	5WK96661D	22037
DAF	XF			Euro 6	1952565, 4326862, 4326470	5WK965751C	22038
Iveco	Stralis, Trakker			Euro 6	5801777219, 5801627702, 5801429373	5WK96720A, 5WK96720	29031
Iveco	EuroCargo, Stralis			Euro 6	5801754014, 5801627703	5WK96775A	29032
MAN	TGM / TGL	Lion's city, Skyliner, Starliner, Cityliner, Tourliner, Lion's coach, Lion's regio, Intercity		Euro 6	51.15408.0007, 51.15408.0003, 51.15408.0016	5WK96721A, 5WK96721B	47034
MAN	TGX, TGS, TGL, TGM			Euro 6	51.15408.0011, 51.15408.0018	5WK96783B, 5WK96783	41L018
Mercedes-Benz	Actros, Atego, Econic			Euro 6	010.153.1628	5WK97331A	51026
Mercedes-Benz	Actros, Axor			Euro 6	009.153.0128, 010.153.9628	5WK96659C, 5WK96659B	51027
Mercedes-Benz	Atego, Actros, Turismo, Citaro, Capacity, Connecto, Integro, Intouro			Euro 6	010.153.1528	5WK97330A	51028
Mercedes-Benz	Actros, Atego			Euro 6	010.153.1728	5WK97332A	51029
Mercedes-Benz	Actros, Axor			Euro 6	009.153.0028, 010.153.9528, 009.153.9528, 011.153.7328	5WK96653B, 5WK96653	51032
Mercedes-Benz			Sprinter	Euro 6	000.905.3403, 000.905.5100, 000.905.6900	5WK96681C	51033
Mercedes-Benz	Actros, Citaro, Connecto, Turismo, Integro			Euro 6	008.153.9928, 010.153.9428	5WK96652B, 5WK96652A	51035
Mercedes-Benz	Atego, Actros, Econic, Turismo, Integro, Travego			Euro 6	010.153.1428	5WK97329A	51036
Renault	T, K, C, D			Euro 6	7422827991, 7422315988, 7422219281, 7421531797	5WK97368	81032
Scania	P, G, R, T, S	F, K, N		Euro 6	2247380, 2296800, 2294290, 2064768	5WK97400	67031
Scania	P, G, R			Euro 6	2247381, 2296801, 2294291, 2064769, 2064767	5WK97401	67032
Volvo	FL, FE, FH, FM, B12M, B5LH, B9L, B6R, B7R, B5RH			Euro 6	22219284, 22315987, 22827995, 21691455, 21567742, 21474017, 21326719	5WK97372	81031
Volvo	FH(4)/FM(4), FL(3) FE(3), FH/FM B5LH, B8R			Euro 6	22827991, 21567737, 21531797, 21474015, 22219281, 22315988, 21040930	5WK97368	81032

Keep operating conditions under surveillance

## Temperature sensors

Maximum efficiency of the aftertreatment system is ensured at high temperatures. Reliable temperature sensors are therefore vital components of the system.

### Unstable sensors are costly

A malfunctioning temperature sensor is a typical root cause for partial power loss or even forcing truck engines into safe-mode, severely reducing power output. Going for less than the very best sensors is simply not worth the risk.

### The reliable choice

The temperature sensors from Dinex are designed to match the high levels of accuracy and durability demanded today. The sensors fit into all common ATS layouts in Euro 4, 5 and 6 engines and being constructed with the very best materials.





**Temperature Sensors**  
For direct replacement of OE sensors

going the extra mile



Your Partner in Exhaust and Emission

# DinSensor™, Temperature Sensors

## Our Temperature Sensors are:

- Directly replaceable with OE Sensors
- Tested at Dinex Test Center
- Stock item for fast delivery
- Easy to install



Make	Truck	Euro Norm	OE no.	Dinex no.
DAF	LF	Euro 6	1971911	22044
DAF	LF	Euro 6	1971903	22045
DAF	CF, XF	Euro 6	1851853	22042
DAF	CF, XF	Euro 6	1863283	22043
DAF	CF, XF	Euro 6	1924191	22046
Iveco	Eurocargo, Stralis	Euro 6	5801291814, 504109529 5801455941	29042
Iveco	Eurocargo	Euro 6	5801908973	29045
Iveco	Eurocargo	Euro 6	5801922815	29046
Iveco	Eurocargo	Euro 6	5801732665	29047
Iveco	Stralis	Euro 6	504102603, 55581035, 5801455940	29043
MAN	TGL, TGM	Euro 6	51.27421.0311, 51.27421.0294	47042
MAN	TGS, TGX	Euro 6	51.27421.0293, 51.27421.0310	47041
Mercedes	Atego, Antos, Actros	Euro 6	010.542.9418	51044
Mercedes	Atego, Antos, Actros	Euro 6	010.542.9518	51045
Mercedes	Actros, Arocs	Euro 6	007.542.4518	51046
Mercedes	Actros, Arocs	Euro 6	007.542.4818	51047
Mercedes	Actros, Arocs	Euro 6	010.542.3518	51048
Mercedes	Actros, Arocs	Euro 6	007.542.4618	51049
Renault	D Narrow, D Wide	Euro 6	7421542714	81050
Renault	D Narrow, D Wide, T, K series	Euro 6	7421285163, 7422035664	81049
Scania	P,G,R	Euro 6	2301360, 2604684	67041
Scania	P,G,R	Euro 6	2301359	67042
Volvo	FE, FL, FM, FH, FMX	Euro 6	21285163	81049









---

---

---

---

---

---

---

---

---

---

---

---

---

---

---

---

---

---

---

---

---

---

---

---

---

---

---

---

---

---

The aftermarket division of Dinex is a leading global manufacturer and distributor of innovative engineered exhaust and aftertreatment systems for the heavy duty truck industry with activities in Europe, North America and Russia.

With a program of more than 10.000 spare parts Dinex supply on a daily basis to over 6.000 distributors on a global scale. Our products are designed to the same level as OE or better. We take pride in our solutions with core technologies within modern aftertreatment systems for EURO 5 and 6 for Europe/Russia as well as EPA 07 and 10 for North America.

- |                            |                                      |  |
|----------------------------|--------------------------------------|--|
| ● Headquarter              | ● Dinex A/S, DK                      | ● Dinex Polska Sp. Z.o.o., PL          |
| ● Tech. Center             | ● Dinex Latvia SIA, LV               | ● Dinex SAS, FR                        |
| ● Factories                | ● Dinex Emission Inc., US            | ● Dinex Italia S.R.L., IT              |
| ● Warehouse & Distribution | ● Dinex RUS LLC, RU                  | ● Dinex Ibérica Sistemas de Esca, ES   |
|                            | ● Dinex Egzoz ve Emisyon Tekn.sa, TR | ● Dinex Balkan D.O.O., RS              |
|                            | ● Dinex Exhausts Ltd., GB            | ● Dinex Deutschland GmbH (Kalbach), DE |



**Dinex is ready to serve you**

02-2020 / 1AA-034. All drawings & illustrations are the property/right of Dinex and cannot be copied, duplicated or reprinted in any form without the prior written consent from Dinex.

going the extra mile



Dinex.net